

ON SEMICONDUCTOR Serial and Parallel EEPROMs

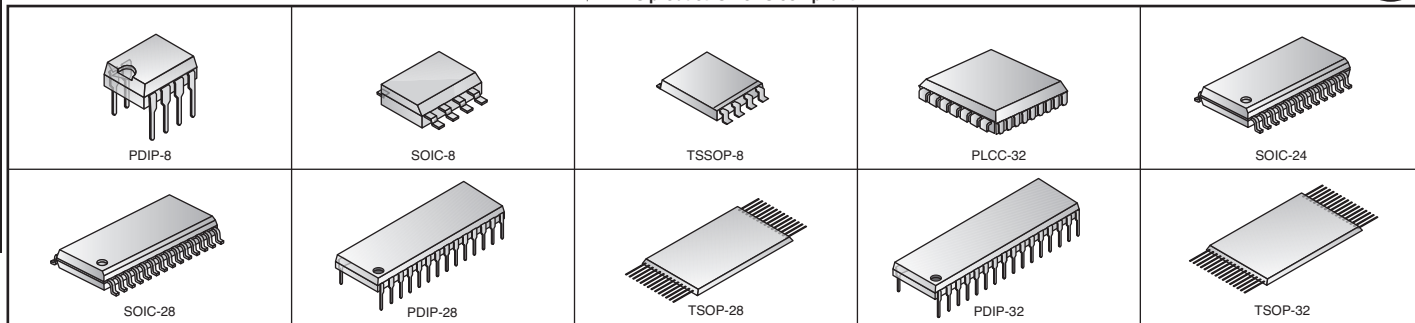
ON Semiconductor®



RoHS Compliant This product is RoHS compliant.

Memory

Catalyst



◆ Surface Mount

CATALYST SPI BUS WITH LOW STANDBY CURRENT (MOTOROLA COMPATIBLE)

These SPI Serial CMOS EEPROMs use Catalyst's advanced CMOS Technology that substantially reduces device power requirements. They operate via the SPI bus serial interface and is enabled through a Chip Select (CS). In addition to the Chip Select, the clock input (SCK), data in (SI) and data out (SO) are required to access the device. The HOLD pin may be used to suspend any serial communication without resetting the serial sequence.

Features:

- 10 MHz SPI compatible
- 1.8 to 5.5 volt operation
- Hardware and software protection
- Low power CMOS technology
- SPI modes (0,0 & 1,1)
- 1,000,000 program/erase cycles
- 100 year data retention
- Self-timed write cycle
- 16-byte page write buffer
- Block write protection – Protect 1/4, 1/2 or all of EEPROM array



RoHS Compliant

For quantities of 500 and up, call for quote.

MOUSER STOCK NO.	Catalyst Stock No.	Case Type	Density	Organization	Temperature Range (°C)	Operating Voltage (V)	Price Each			
							1	25	100	250
698-CAT25010LI-G	CAT25010LI-G	PDIP-8	1K	128 x 8	-40 to +85	1.8 to 5.5	.40	.32	.30	.28
◆ 698-CAT25010VI-G	CAT25010VI-G	SOIC-8	1K	128 x 8	-40 to +85	1.8 to 5.5	.35	.283	.263	.244
◆ 698-CAT25010YI-G	CAT25010YI-G	TSSOP-8	1K	128 x 8	-40 to +85	1.8 to 5.5	.35	.283	.263	.244
698-CAT25020LI-G	CAT25020LI-G	PDIP-8	2K	256 x 8	-40 to +85	1.8 to 5.5	.46	.37	.35	.32
◆ 698-CAT25020VI-G	CAT25020VI-G	SOIC-8	2K	256 x 8	-40 to +85	1.8 to 5.5	.41	.332	.312	.283
◆ 698-CAT25020YI-G	CAT25020YI-G	TSSOP-8	2K	256 x 8	-40 to +85	1.8 to 5.5	.28	.224	.219	.199
698-CAT25040LI-G	CAT25040LI-G	PDIP-8	4K	512 x 8	-40 to +85	1.8 to 5.5	.52	.42	.39	.36
◆ 698-CAT25040VI-G	CAT25040VI-G	SOIC-8	4K	512 x 8	-40 to +85	1.8 to 5.5	.46	.371	.351	.332
◆ 698-CAT25040YI-G	CAT25040YI-G	TSSOP-8	4K	512 x 8	-40 to +85	1.8 to 5.5	.46	.371	.351	.332
698-CAT25080LI-G	CAT25080LI-G	PDIP-8	8K	1024 x 8	-40 to +85	1.8 to 5.5	.52	.42	.39	.36
◆ 698-CAT25080VI-G	CAT25080VI-G	SOIC-8	8K	1024 x 8	-40 to +85	1.8 to 5.5	.48	.38	.36	.34
◆ 698-CAT25080YI-G	CAT25080YI-G	TSSOP-8	8K	1024 x 8	-40 to +85	1.8 to 5.5	.46	.371	.351	.332
698-CAT25160LI-G	CAT25160LI-G	PDIP-8	16K	2048 x 8	-40 to +85	1.8 to 5.5	.56	.45	.42	.39
◆ 698-CAT25160VI-G	CAT25160VI-G	SOIC-8	16K	2048 x 8	-40 to +85	1.8 to 5.5	.50	.41	.381	.351
◆ 698-CAT25160YI-G	CAT25160YI-G	TSSOP-8	16K	2048 x 8	-40 to +85	1.8 to 5.5	.50	.41	.381	.351
698-CAT25320LI-G	CAT25320LI-G	PDIP-8	32K	4096 x 8	-40 to +85	1.8 to 5.5	.78	.62	.59	.55
◆ 698-CAT25320VI-G	CAT25320VI-G	SOIC-8	32K	4096 x 8	-40 to +85	1.8 to 5.5	.72	.576	.547	.508
◆ 698-CAT25128VI-G	CAT25128VI-G	SOIC-8	128K	16384 x 8	-40 to +85	2.5 to 5.5	.53	.51	.504	.491

CATALYST LOW POWER 5.0 VOLT PARALLEL EEPROMS

These are fast, low power, 5V-only CMOS Parallel EEPROMs organized as 2K x 8-bits, 8K x 8-bits, 32K x 8-bits or 64K x 8-bits. They require a simple interface for in-system programming. On-chip address and data latches, self-timed write cycle with auto-clear and VCC power up/down write protection eliminate additional timing and protection hardware. DATA Polling signals the start and end of the self-timed write cycle. They also feature hardware write protection. They are manufactured using Catalyst's advanced CMOS floating gate technology. They are designed to endure 10,000 program/erase cycles and has a data retention of 10 years.

Features:

- Fast read access times
- Low power CMOS dissipation
- Simple write operation: On-chip address and data latches
- Self-timed write cycle with auto-clear
- Fast write cycle time: 5ms max.
- CMOS and TTL compatible I/O
- Hardware and software write protection
- Automatic page write operation
- End of write detection
- 100,000 program/erase cycles
- 100 year data retention



RoHS Compliant

For quantities of 500 and up, call for quote.

MOUSER STOCK NO.	Catalyst Stock No.	Case Type	Density	Organization	Access Time (ns)	Temperature Range (°C)	Operating Voltage (V)	Price Each			
								1	25	100	250
◆ 698-CAT28C16AGI-90	CAT28C16AGI-90	PLCC-32	16K	2K x 8	90	-40 to +85	4.5 to 5.5	3.32	2.66	2.49	2.32
◆ 698-CAT28C16AWI-90	CAT28C16AWI-90	SOIC-24	16K	2K x 8	90	-40 to +85	4.5 to 5.5	3.62	2.90	2.72	2.53
◆ 698-CAT28C16AXI-90	CAT28C16AXI-90	SOIC-24	16K	2K x 8	90	-40 to +85	4.5 to 5.5	3.62	2.90	2.72	2.53
◆ 698-CAT28C16AGI-20	CAT28C16AGI-20	PLCC-32	16K	2K x 8	200	-40 to +85	4.5 to 5.5	3.31	2.64	2.48	2.32
◆ 698-CAT28C16AWI-20	CAT28C16AWI-20	SOIC-24	16K	2K x 8	200	-40 to +85	4.5 to 5.5	3.31	2.64	2.48	2.32
◆ 698-CAT28C16AX-20	CAT28C16AX-20	SOIC-24	16K	2K x 8	200	0 to 70	4.5 to 5.5	3.38	2.70	2.53	2.37
◆ 698-CAT28C64BG-90	CAT28C64BG-90	PLCC-32	64K	8K x 8	90	0 to 70	4.5 to 5.5	3.74	3.00	2.81	2.62
◆ 698-CAT28C64BG-90	CAT28C64BG-90	PLCC-32	64K	8K x 8	90	-40 to +85	4.5 to 5.5	3.74	3.00	2.81	2.62
698-CAT28C64BL-90	CAT28C64BL-90	PDIP-28	64K	8K x 8	90	0 to 70	4.5 to 5.5	4.26	3.41	3.19	2.97
698-CAT28C64BLI-90	CAT28C64BLI-90	PDIP-28	64K	8K x 8	90	-40 to +85	4.5 to 5.5	4.26	3.41	3.19	2.97
698-CAT28C64BL-12	CAT28C64BL-12	PDIP-28	64K	8K x 8	120	0 to 70	4.5 to 5.5	4.26	3.41	3.20	2.97
698-CAT28C64BLI-12	CAT28C64BLI-12	PDIP-28	64K	8K x 8	120	-40 to +85	4.5 to 5.5	4.26	3.41	3.20	2.97
◆ 698-CAT28C64BGI-12	CAT28C64BGI-12	PLCC-32	64K	8K x 8	120	-40 to +85	4.5 to 5.5	3.74	3.00	2.81	2.62
◆ 698-CAT28C64BWI-12	CAT28C64BWI-12	SOIC-28	64K	8K x 8	120	-40 to +85	4.5 to 5.5	3.74	3.00	2.81	2.62
◆ 698-CAT28C64BXI-12	CAT28C64BXI-12	SOIC-28	64K	8K x 8	120	-40 to +85	4.5 to 5.5	3.81	3.05	2.86	2.67
698-CAT28C256L-12	CAT28C256L-12	PDIP-28	256K	32K x 8	120	0 to 70	4.5 to 5.5	6.10	4.88	4.57	4.27
698-CAT28C256L-12	CAT28C256L-12	PDIP-28	256K	32K x 8	120	-40 to +85	4.5 to 5.5	6.10	4.88	4.57	4.27
◆ 698-CAT28C256GI-12	CAT28C256GI-12	PLCC-32	256K	32K x 8	120	-40 to +85	4.5 to 5.5	5.86	4.69	4.39	4.10
◆ 698-CAT28C256H131-12	CAT28C256H131-12	TSOP-28	256K	32K x 8	120	-40 to +85	4.5 to 5.5	7.01	5.61	5.26	4.91
698-CAT28C256L-15	CAT28C256L-15	PDIP-28	256K	32K x 8	150	0 to 70	4.5 to 5.5	6.10	4.88	4.58	4.27
698-CAT28C256LI-15	CAT28C256LI-15	PDIP-28	256K	32K x 8	150	-40 to +85	4.5 to 5.5	6.10	4.88	4.58	4.27
◆ 698-CAT28C256G-15	CAT28C256G-15	PLCC-32	256K	32K x 8	150	0 to 70	4.5 to 5.5	5.86	4.69	4.40	4.10
◆ 698-CAT28C256GI-15	CAT28C256GI-15	PLCC-32	256K	32K x 8	150	-40 to +85	4.5 to 5.5	5.86	4.69	4.40	4.10
◆ 698-CAT28C256H131-15	CAT28C256H131-15	TSOP-28	256K	32K x 8	150	-40 to +85	4.5 to 5.5	7.01	5.61	5.26	4.91
698-CAT28C512LI-12	CAT28C512LI-12	PDIP-32	512K	64K x 8	120	-40 to +85	4.5 to 5.5	17.76	14.21	13.32	12.42
◆ 698-CAT28C512G-12	CAT28C512G-12	PLCC-32	512K	64K x 8	120	0 to 70	4.5 to 5.5	18.35	14.68	13.77	12.85
◆ 698-CAT28C512GI-12	CAT28C512GI-12	PLCC-32	512K	64K x 8	120	-40 to +85	4.5 to 5.5	18.35	14.68	13.76	12.84
◆ 698-CAT28C512HI-12	CAT28C512HI-12	TSOP-32	512K	64K x 8	120	-40 to +85	4.5 to 5.5	19.50	15.60	14.62	13.65
698-CAT28C512L-15	CAT28C512L-15	PDIP-32	512K	64K x 8	150	0 to 70	4.5 to 5.5	17.76	14.21	13.32	12.42
698-CAT28C512LI-15	CAT28C512LI-15	PDIP-32	512K	64K x 8	150	-40 to +85	4.5 to 5.5	17.76	14.20	13.32	12.43