

ETA-USA DC-DC Converters



ETA-USA OT SERIES SINGLE AND DUAL OUTPUT

- Over Current Protection
- Operating Temperature Range: -20°C ~ +70°C

Other voltages available. Contact a Mouser Service Representative.

DC Input Single Output

For quantities of 50 and up, call for quote.

MOUSER STOCK NO.	ETA-USA Part No.	Fig.	Power	Input Voltage	Output Voltage	Dimensions: in.			Price Each			
						W	L	H	1	5	10	25
618-OTQ05SC05	OTQ05SC05	A	3W	4~8	5	0.35	1.41	0.76	27.63	25.91	25.04	24.18
618-OTQ15SC05	OTQ15SC05	A	3W	4~8	15	0.35	1.41	0.76	27.63	25.91	25.04	24.18
618-OTQ24SC05	OTQ24SC05	A	3W	4~8	24	0.35	1.41	0.76	27.63	25.91	25.04	24.18
618-OTQ05SC1224	OTQ05SC1224	A	3W	8~32	5	0.35	1.41	0.76	27.74	25.99	25.19	24.23
618-OTQ24SC1224	OTQ24SC1224	A	3W	8~32	24	0.35	1.41	0.76	27.74	25.99	25.19	24.23
618-OTQ05SC2448	OTQ05SC2448	A	3W	18~72	5	0.35	1.41	0.76	27.74	25.99	25.19	24.23
618-OTQ12SC2448	OTQ12SC2448	A	3W	18~72	12	0.35	1.41	0.76	27.74	25.99	25.19	24.23
618-OTQ15SC2448	OTQ15SC2448	A	3W	18~72	15	0.35	1.41	0.76	27.74	25.99	25.19	24.23
618-OTQ24SC2448	OTQ24SC2448	A	3W	18~72	24	0.35	1.41	0.76	27.74	25.99	25.19	24.23

DC Input Dual Output

For quantities of 50 and up, call for quote.

MOUSER STOCK NO.	ETA-USA Part No.	Fig.	Power	Input Voltage	Output Voltage	Dimensions: in.			Price Each			
						W	L	H	1	5	10	25
618-OTQ22WC05	OTQ22WC05	A	3W	4~8	±12	0.35	1.41	0.76	27.63	25.91	25.04	24.18
618-OTQ23WC05	OTQ23WC05	A	3W	4~8	±15	0.35	1.41	0.76	27.63	25.91	25.04	24.18
618-OTQ22WC1224	OTQ22WC1224	A	3W	8~32	±12	0.35	1.41	0.76	27.74	25.99	25.19	24.23
618-OTQ23WC1224	OTQ23WC1224	A	3W	8~32	±15	0.35	1.41	0.76	27.74	25.99	25.19	24.23
618-OTQ23WC2448	OTQ23WC2448	A	3W	18~72	±15	0.35	1.41	0.76	27.74	25.99	25.19	24.23

ETA-USA OH SERIES SINGLE AND DUAL OUTPUT

- PCB Mountable
- Isolation Voltage: 500 Vmin
- Operating Temperature Range: -20°C ~ +71°C
- Small Input Current at No Load
- Switching Frequency 170kHz
- Over Current Protection

Other voltages available. Contact a Mouser Service Representative.

DC Input Single Output

For quantities of 50 and up, call for quote.

MOUSER STOCK NO.	ETA-USA Part No.	Fig.	Power	Input Voltage	Output Voltage	Dimensions: in.			Price Each			
						W	L	H	1	5	10	25
618-OHS05SC1224	OHS05SC1224	B	10W	8~32	5	1.00	2.00	0.44	38.73	36.31	35.09	33.88
618-OHS12SC1224	OHS12SC1224	B	10W	8~32	12	1.00	2.00	0.44	38.73	36.31	35.09	33.88
618-OHS15SC1224	OHS15SC1224	B	10W	8~32	15	1.00	2.00	0.44	38.73	36.31	35.09	33.88
618-OHS24SC1224	OHS24SC1224	B	10W	8~32	24	1.00	2.00	0.44	38.73	36.31	35.09	33.88
618-OHS05SC2448	OHS05SC2448	B	10W	18~72	5	1.00	2.00	0.44	38.73	36.31	35.09	33.88
618-OHS12SC2448	OHS12SC2448	B	10W	18~72	12	1.00	2.00	0.44	38.73	36.31	35.09	33.88
618-OHS15SC2448	OHS15SC2448	B	10W	18~72	15	1.00	2.00	0.44	38.73	36.31	35.09	33.88
618-OHS24SC2448	OHS24SC2448	B	10W	18~72	24	1.00	2.00	0.44	38.73	36.31	35.09	33.88

DC Input Dual Output

For quantities of 50 and up, call for quote.

MOUSER STOCK NO.	ETA-USA Part No.	Fig.	Power	Input Voltage	Output Voltage	Dimensions: in.			Price Each			
						W	L	H	1	5	10	25
618-OHS22WC1224	OHS22WC1224	B	10W	8~32	±12	1.00	2.00	0.44	40.33	37.81	36.54	35.28
618-OHS23WC1224	OHS23WC1224	B	10W	8~32	±15	1.00	2.00	0.44	40.33	37.81	36.54	35.28
618-OHS22WC2448	OHS22WC2448	B	10W	18~72	±12	1.00	2.00	0.44	40.33	37.81	36.54	35.28
618-OHS23WC2448	OHS23WC2448	B	10W	18~72	±15	1.00	2.00	0.44	40.33	37.81	36.54	35.28

ETA-USA NVD SERIES SINGLE OUTPUT

- Over Current, Over Voltage, and Thermal Protection
- Operating Temperature Range: -20°C ~ +70°C

Other voltages available. Contact a Mouser Service Representative.

DC Input Single Output

For quantities of 50 and up, call for quote.

MOUSER STOCK NO.	ETA-USA Part No.	Fig.	Power	Input Voltage	Output Voltage	Dimensions: in.			Price Each			
						W	L	H	1	5	10	25
618-NVD12SC24	NVD12SC24	C	100W	19~32	12	2.56	3.98	1.34	244.76	230.05	222.03	214.00
618-NVD3.3SC48	NVD3.3SC48	C	100W	38~63	3.3	2.56	3.98	1.34	244.76	230.05	222.03	214.00
618-NVD05SC48	NVD05SC48	C	100W	38~63	5	2.56	3.98	1.34	244.76	230.05	222.03	214.00
618-NVD15SD	NVD15SD	C	100W	85~140	15	2.56	3.98	1.34	230.10	215.72	208.52	201.33

ETA-USA ETD SERIES SINGLE OUTPUT

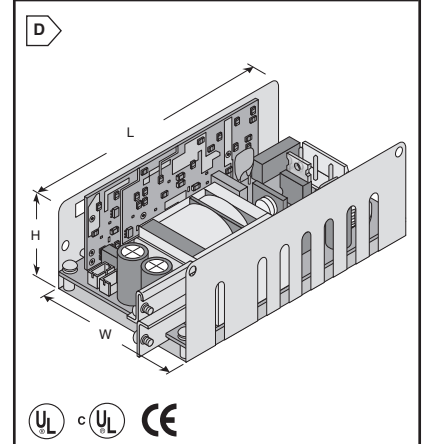
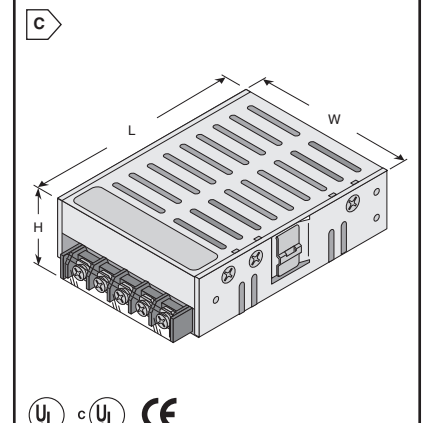
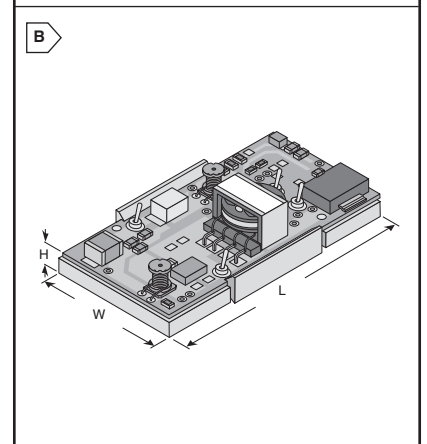
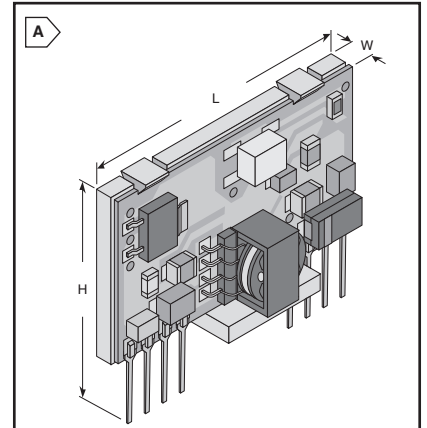
- Over Current, Over Voltage, and Thermal Protection
- Operating Temperature Range: -20°C ~ +70°C

Other voltages available. Contact a Mouser Service Representative.

DC Input Single Output

For quantities of 50 and up, call for quote.

MOUSER STOCK NO.	ETA-USA Part No.	Fig.	Power	Input Voltage	Output Voltage	Dimensions: in.			Price Each			
						W	L	H	1	5	10	25
618-ETD3.3SC48	ETD3.3SC48	D	100W	36~72	3.3	2.20	3.39	1.18	243.99	228.74	221.12	213.49
618-ETD05SC48	ETD05SC48	D	100W	36~72	5	2.20	3.39	1.18	243.99	228.74	221.12	213.49
618-ETD12SC48	ETD12SC48	D	100W	36~72	12	2.20	3.39	1.18	243.99	228.74	221.12	213.49
618-ETD3.3SC300	ETD3.3SC300	D	100W	200~400	3.3	2.20	3.39	1.18	243.99	228.74	221.12	213.49
618-ETD05SC300	ETD05SC300	D	100W	200~400	5	2.20	3.39	1.18	243.99	228.74	221.12	213.49
618-ETD12SC300	ETD12SC300	D	100W	200~400	12	2.20	3.39	1.18	243.99	228.74	221.12	213.49
618-ETD24SC300	ETD24SC300	D	100W	200~400	24	2.20	3.39	1.18	243.99	228.74	221.12	213.49



ETA-USA DC-DC Converters