

ORION Fan Trays and Fan Accessories



RoHS Compliant This page of product is compliant.



THERMALCARE™ FAN TRAY ASSEMBLIES

Features:

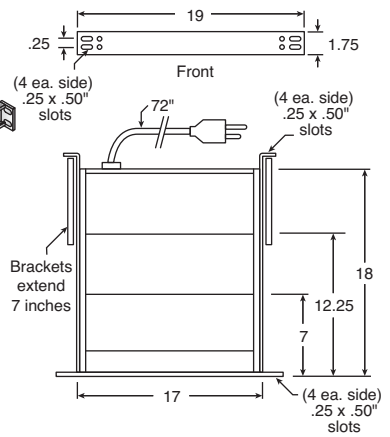
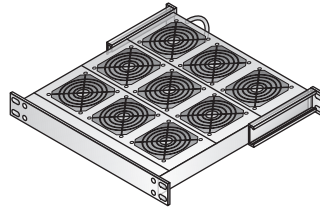
- Life expectancy: 60,000 hour ball bearing fans
- Hardware: E-Z mount clip nuts and hardware to facilitate rapid installation
- Configuration: "Add a module" feature permits the easy addition of up to 6 fans to the basic 3 fan tray should more cooling be required
- Frame: Heavy duty steel construction with extruded aluminum side rails to facilitate changes in fan configuration
- Options: "Short Tray" configurations with dual voltage selector and lighted on/off rocker

Factory Drop Ship Only

For quantities 10 and up, call for quote.

MOUSER STOCK NO.	Orion Part No.	Voltage	Air Flow (CFM)	Price Each	
				1	5
670-OA300	OA300	115VAC	330	175.00	150.00
670-OA900	OA900	115VAC	990	375.00	350.00
670-OD30048	OD300-48	48VDC	330	195.00	183.60

ORION FAN Trays are available from factory stock as 3 position, 6 position, or 9 position units. **330CFM = 3 fans installed, 660CFM = 6 fans installed, and 990CFM = 9 fans installed.** Ultra quiet fan trays are available with medium or low speed fans substituted for high speed fans (minimums may apply).



RoHS Compliant



SPOT COOLERS

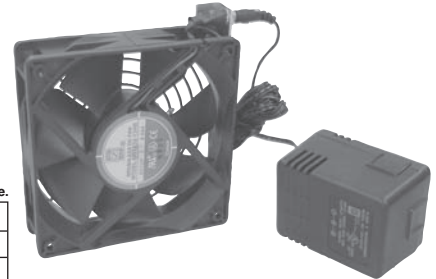
Orion Fans Thermally Controlled Spot Cooling Fans were designed as quick, inexpensive, and convenient solutions to hot-spots within cabinet enclosures. The Orion Cooling Fans are supplied with a standard NEMA 5-15P AC plug-in transformer that allows them to be added anywhere within the cabinet without costly redesign or rewiring.

Specifications:

- Voltage Input: 120VAC/60Hz
- Materials: Frame & Impeller PBT, UL94V-O plastic
- Bearing System: Dual Ball
- Life (L10) 60,000 hours

For quantities 25 and up, call for quote.

MOUSER STOCK NO.	Orion Part No.	Fan Size (mm)	Power (Watts)	Air Flow (CFM)	Noise (dB)	Speed (RPM)	Price Each	
							1	10
670-OD9225-SPOT	OD9225-SPOT	92x25	3	50 / 34C	35	3100 max	32.00	31.68
670-OD1232-SPOT	OD1232-SPOT	120x32	19	65~120 / 25C~40C	47	1600 max	36.00	34.23



RoHS Compliant



FAN CORDS

For use with Orion AC/DC fans with terminal type termination.

RoHS Compliant

45° Single Connector

* NEMA 1-15P type plug

For quantities 200 and up, call for quote.

MOUSER STOCK NO.	Orion Part No.	Fig.	Lead Length (in.)	Price Each			
				1	25	50	100
670-C4512	C45-12	A	12	1.34	1.23	1.14	1.07
670-C4524	C45-24	A	24	1.43	1.39	1.34	1.28
* 670-C4524P	C45-24P	A	24	2.63	2.46	2.26	2.07
670-C4536	C45-36	A	36	1.98	1.93	1.83	1.63
670-C4548	C45-48	A	48	1.94	1.88	1.82	1.73
* 670-C4548P	C45-48P	A	48	3.25	3.02	2.78	2.55
* 670-C4560P	C4560P	A	60	2.82	2.74	2.60	2.43
670-C4572	C45-72	A	72	2.45	2.38	2.30	2.19
* 670-C4572P	C45-72P	A	72	3.07	2.92	2.73	2.59
* 670-C45-144P	C45-144P	A	144	4.79	4.65	4.51	4.29

90° Single Connector

For quantities 200 and up, call for quote.

MOUSER STOCK NO.	Orion Part No.	Fig.	Lead Length (in.)	Price Each			
				1	25	50	100
670-C9024	C90-24	B	24	1.55	1.49	1.43	1.39
670-C9072	C90-72	B	72	2.66	2.56	2.45	2.38

180° Single Connector

For quantities 200 and up, call for quote.

MOUSER STOCK NO.	Orion Part No.	Fig.	Lead Length (in.)	Price Each			
				1	25	50	100
670-C18024	C180-24	C	24	1.55	1.49	1.43	1.39

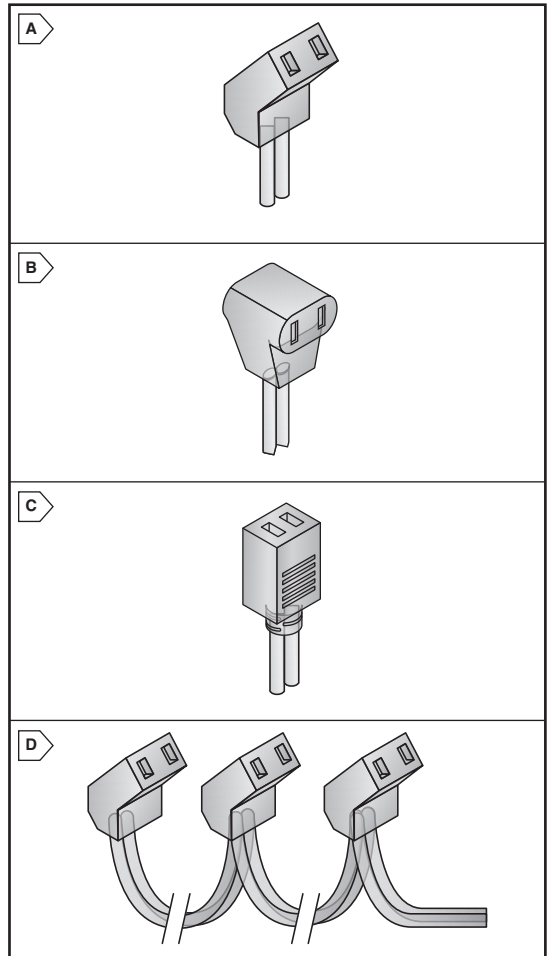
45° Daisy Chains

• Each head separated by 12" of cord and 24" lead

* * * Lead length 72" and NEMA 1-15P type plug

For quantities 200 and up, call for quote.

MOUSER STOCK NO.	Orion Part No.	Fig.	Number of Heads	Price Each			
				1	25	50	100
670-C452DC	C45-2DC	D	2	2.45	2.38	2.30	2.19
670-C452DCP	C45-2DCP	D	2 w/plug	3.55	3.41	3.26	3.17
* * * 670-C45-2DC72P	C45-2DC72P	D	2	5.04	4.54	4.29	3.97
670-C453DC	C45-3DC	D	3	3.47	3.37	3.26	3.10
670-C454DC	C45-4DC	D	4	4.88	4.69	4.49	4.36
670-C456DC	C45-6DC	D	6	5.51	5.35	5.18	4.92
670-C459DC	C45-9DC	D	9	6.53	6.34	6.14	5.84



Orion

Fans