

Circuit Breakers



EC-E ELECTRONIC CIRCUIT BREAKERS

Features:

- Selective load protection prevents complete system shutdown
- N/O or N/C signal contacts for remote signaling
- Manual on/off slide switch
- Protection for capacitive circuits up to 20,000 µF

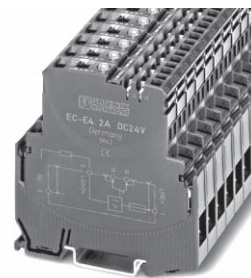
Specifications:

- 12.5mm width
- Class 1, Div 2 rating
- Bridging available for line (+) and return (-) for
- Nickel- and tin-plated copper alloy components
- Color: Black



For quantities of 25 and up, call for quote.

MOUSER STOCK NO.	Phoenix Type	Nominal Current	Nominal Voltage	Contact Type	Price Each		
					1	5	10
651-0903023	EC-E1 1A	1A	24VDC	Normally Open	89.66	83.87	80.00
651-0903024	EC-E1 2A	2A	24VDC	Normally Open	89.66	83.87	80.00
651-0903030	EC-E1 10A	10A	24VDC	Normally Open	95.26	89.11	85.00
651-0903032	EC-E4 1A	1A	24VDC	Normally Closed	89.66	83.87	80.00
651-0903033	EC-E4 2A	2A	24VDC	Normally Closed	89.66	83.87	80.00
651-0903038	EC-E4 10A	10A	24VDC	Normally Closed	95.26	89.11	85.00
651-0903042	EC-E 1A	1A	24VDC	Remote Resettable	101.98	95.40	91.00
651-0903043	EC-E 2A	2A	24VDC	Remote Resettable	101.98	95.40	91.00
651-0903048	EC-E 10A	10A	24VDC	Remote Resettable	107.59	100.65	96.00



THERMAL CIRCUIT BREAKERS

QLB Series - Single Pole Push to Reset

Specifications:

- Certifications & Ratings:
- UL, cUL, TUV, CCC, CE 3A-40A @ 125/250VAC 32VDC
 - Max Interrupting Capacity: 1,000 Amps
 - Operating Temperature: -10°C to +60°C
 - Bushing Type: Metal M11 x 1.0 thread or Plastic Snap-In
 - Terminal Type: .250 quick connect tabs
 - Reset Button: Black with white marked amp rating
 - Mounting Method: Front Panel & Snap-In

Applications:

Cost effective for use in consumer products, home appliances, telecom, medical, toys, motors, power supplies, marine, power strips and transportation.



For quantities of 250 and up, call for quote.

MOUSER STOCK NO.	Qualtek Part No.	Fig.	Current (A)	Price Each		
				1	50	100
Mounting Method - Snap-In with Plastic Bushing						
562-QLB03300DNN3BA	QLB-033-00DNN-3BA	A1	3	2.10	1.83	1.68
562-QLB05300DNN3BA	QLB-053-00DNN-3BA	A1	5	2.10	1.83	1.68
562-QLB07300DNN3BA	QLB-073-00DNN-3BA	A1	7	2.10	1.83	1.68
562-QLB10300DNN3BA	QLB-103-00DNN-3BA	A1	10	1.70	1.48	1.36
562-QLB15300DNN3BA	QLB-153-00DNN-3BA	A1	15	1.60	1.39	1.28
562-QLB20300DNN3BA	QLB-203-00DNN-3BA	A1	20	1.85	1.61	1.48
562-QLB25300DNN3BA	QLB-253-00DNN-3BA	A1	25	2.10	1.83	1.68
562-QLB30300DNN3BA	QLB-303-00DNN-3BA	A1	30	2.35	2.04	1.88
Mounting Method - Front Panel with Metal Bushing						
562-QLB03311B3N3BA	QLB-033-11B3N-3BA	A2	3	2.15	1.87	1.72
562-QLB05311B3N3BA	QLB-053-11B3N-3BA	A2	5	2.15	1.87	1.72
562-QLB07311B3N3BA	QLB-073-11B3N-3BA	A2	7	2.15	1.87	1.72
562-QLB10311B3N3BA	QLB-103-11B3N-3BA	A2	10	1.75	1.53	1.40
562-QLB15311B3N3BA	QLB-153-11B3N-3BA	A2	15	1.65	1.44	1.32
562-QLB20311B3N3BA	QLB-203-11B3N-3BA	A2	20	1.95	1.71	1.56
562-QLB25311B3N3BA	QLB-253-11B3N-3BA	A2	25	2.15	1.87	1.72
562-QLB30311B3N3BA	QLB-303-11B3N-3BA	A2	30	2.40	2.09	1.92

QMB Series - Single Pole Push to Reset

Specifications:

- Certifications & Ratings:
- UL, cUL, VDE, CCC, CE 3A-16A @ 125/250VAC 32VDC
 - UL, cUL, TUV, CCC, CE 20A @ 125/250VAC 32VDC
 - Max Interrupting Capacity: 1,000 Amps
 - Operating Temperature: -10°C to +60°C
 - Bushing Type: Plastic M11 x 1.0 thread or Snap-In
 - Terminal Type: .250 quick connect tabs
 - Reset Button: Black with white marked amp rating
 - Mounting Method: Front Panel & Snap-In

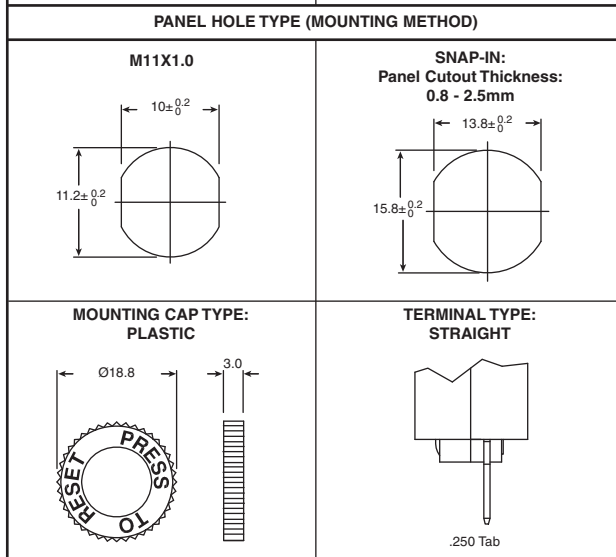
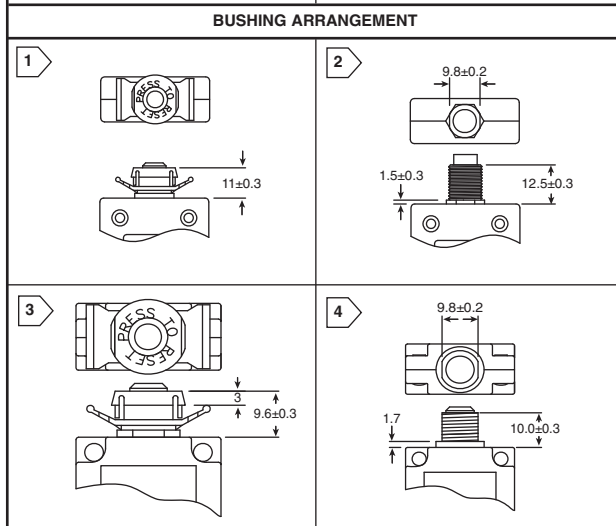
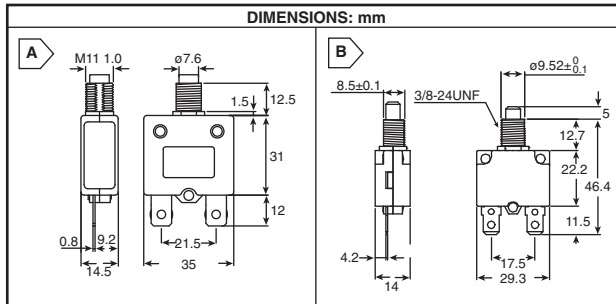
Applications:

Cost effective for use in consumer products, home appliances, telecom, medical, toys, motors, power supplies, marine, power strips and transportation.



For quantities of 250 and up, call for quote.

MOUSER STOCK NO.	Qualtek Part No.	Fig.	Current (A)	Price Each		
				1	50	100
Mounting Method - Snap-In with Plastic Bushing						
562-QMB03200ENN3BA	QMB-032-00ENN-3BA	B3	3	2.10	1.83	1.68
562-QMB05200ENN3BA	QMB-052-00ENN-3BA	B3	5	2.10	1.83	1.68
562-QMB07200ENN3BA	QMB-072-00ENN-3BA	B3	7	1.60	1.39	1.28
562-QMB10200ENN3BA	QMB-102-00ENN-3BA	B3	10	1.30	1.13	1.04
562-QMB12200ENN3BA	QMB-122-00ENN-3BA	B3	12	1.80	1.57	1.44
562-QMB15200ENN3BA	QMB-152-00ENN-3BA	B3	15	1.34	1.17	1.08
562-QMB20300ENN3BA	QMB-203-00ENN-3BA	B3	20	1.85	1.61	1.48
Mounting Method - Front Panel with Plastic Bushing						
562-QMB03211C3N3BA	QMB-032-11C3N-3BA	B4	3	2.25	1.96	1.80
562-QMB05211C3N3BA	QMB-052-11C3N-3BA	B4	5	2.25	1.96	1.80
562-QMB07211C3N3BA	QMB-072-11C3N-3BA	B4	7	1.70	1.48	1.36
562-QMB10211C3N3BA	QMB-102-11C3N-3BA	B4	10	1.40	1.22	1.12
562-QMB12211C3N3BA	QMB-122-11C3N-3BA	B4	12	1.83	1.59	1.46
562-QMB15211C3N3BA	QMB-152-11C3N-3BA	B4	15	1.43	1.24	1.14
562-QMB20311C3N3BA	QMB-203-11C3N-3BA	B4	20	1.95	1.71	1.56



Circuit Breakers