

3M™ Test Clips and Patch Cords



TEST CLIPS

SOIC Surface Mount Test Clips

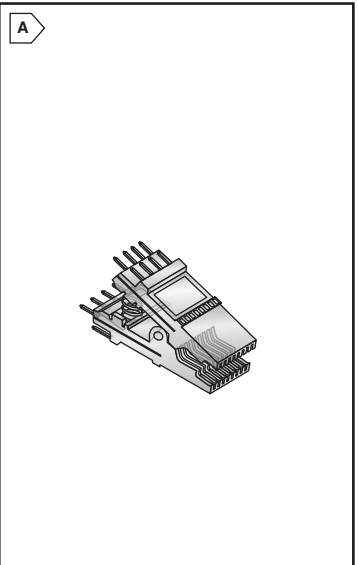
Helical compression spring and insulated contact combs ensure integrity in testing.

Features:

- Allows testing of .025"sq. contact pins on .050" center devices
- UL 94V-0

For quantities of 50 and up, call for quote.

MOUSER STOCK NO.	3M Part No.	Fig.	No. of Pins	Description	Price Each			
					1	5	10	25
517-923660161	923660-16	A	16	Wide, Alloy	13.15	12.50	11.88	11.28
517-923660181	923660-18	A	18	Wide, Alloy	13.92	13.22	12.56	11.93
517-923660201	923660-20	A	20	Wide, Alloy	14.78	14.04	13.33	12.67
517-923660241	923660-24	A	24	Wide, Alloy	15.78	14.98	14.24	13.53
517-923660281	923660-28	A	28	Wide, Alloy	16.89	16.05	15.25	14.49
517-923650081	923650-08	A	8	Narrow, Alloy	13.89	12.92	11.63	11.00
517-923650141	923650-14	A	14	Narrow, Alloy	14.05	13.35	12.42	11.43
517-923650161	923650-16	A	16	Narrow, Alloy	13.65	12.55	11.55	10.74
517-923665-16	923665-16	A	16	Wide, Gold	15.11	14.35	13.64	12.96
517-923665-18	923665-18	A	18	Wide, Gold	15.23	14.47	13.75	13.06
517-923665-20	923665-20	A	20	Wide, Gold	16.68	15.85	15.05	14.31
517-923665-28	923665-28	A	28	Wide, Gold	19.60	18.62	17.68	16.81
517-923655-8	923655-08	A	8	Narrow, Gold	13.65	12.69	11.81	10.98
517-923655-14	923655-14	A	14	Narrow, Gold	14.39	13.68	12.99	12.35
517-923655-16	923655-16	A	16	Narrow, Gold	16.74	15.74	14.79	13.90

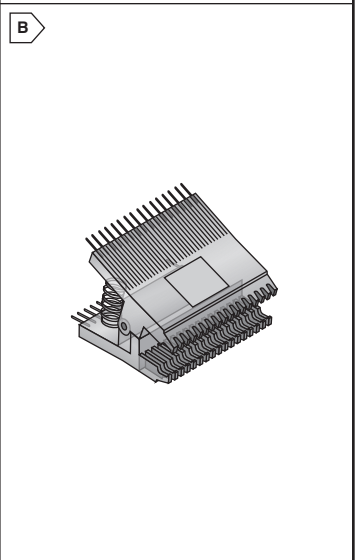


DIP Long Wire Cable Assembly Compatible Test Clips

The "headless" long wire connector-compatible leads accommodate a wide range of applications. The narrow nose shape of the DIP test clip allows for easy attachment on high-density PC boards.

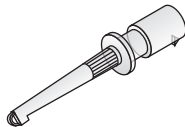
For quantities of 50 and up, call for quote.

MOUSER STOCK NO.	3M Part No.	Fig.	No. of Pins	Description	Price Each			
					1	5	10	25
517-923690-08	923690-08	B	8	.3 Wide, Alloy	12.46	11.83	11.24	10.68
517-92369014	923690-14	B	14	.3 Wide, Alloy	12.16	11.55	10.98	10.43
517-923690-16	923690-16	B	16	.3 Wide, Alloy	12.91	12.26	11.65	11.06
517-923690-18	923690-18	B	18	.3 Wide, Alloy	16.03	15.22	14.47	13.74
517-923690-20	923690-20	B	20	.5/6 Wide, Alloy	17.82	15.99	14.49	13.14
517-923690-28	923690-28	B	28	.5/6 Wide, Alloy	27.08	25.19	23.43	22.00
517-923690-32	923690-32	B	32	.5/6 Wide, Alloy	30.73	28.27	26.29	24.45
517-923690-40	923690-40	B	40	.5/6 Wide, Alloy	33.91	31.19	29.01	26.98
517-92369048	923690-48	B	48	.5/6 Wide, Alloy	40.70	38.66	36.73	34.89
517-92369064	923690-64	B	64	.9 Wide, Alloy	47.87	45.48	43.20	41.04
517-92373908	923739-08	B	8	.3 Wide, Gold	15.12	13.91	12.94	12.03
517-923739-14	923739-14	B	14	.3 Wide, Gold	15.53	14.45	13.43	12.49
517-923739-16	923739-16	B	16	.3 Wide, Gold	15.15	13.60	12.35	11.20
517-923739-18	923739-18	B	18	.3 Wide, Gold	22.37	20.80	19.35	17.99
517-923739-20	923739-20	B	20	.5/6 Wide, Gold	25.70	23.90	22.23	20.68
517-923739-40	923739-40	B	40	.5/6 Wide, Gold	41.67	38.75	36.04	33.52



PROBE-IT CLIPS

Provide a safe, fast, and easy method of testing individual component leads and minimize accidental shorts. Phosphor bronze contact hooks are sheathed in the nylon body of the probe until exposure is needed. Solder to stranded hook-up wire.



For quantities of 50 and up, call for quote.

MOUSER STOCK NO.	3M Part No.	Description	Price Each			
			1	5	10	25
517-923830-WT-C	923830-WT-C	1.63", White	8.57	7.71	6.94	6.24
517-923835-RD-C	923835-RD-C	2.19", Red	8.70	7.83	7.40	6.96
517-923835-BK-C	923835-BK-C	2.19", Black	8.70	7.83	7.40	6.96
517-923835-GN-C	923835-GN-C	2.19", Green	8.70	7.83	7.40	6.96
517-923835-YL-C	923835-YL-C	2.19", Yellow	8.70	7.83	7.40	6.96
*517-923850-C	923850-C	2.19", Asst.	27.81	26.42	25.10	23.85

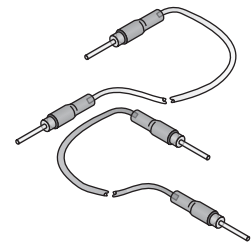
*Priced per pk of 6 clips

© Copyright 2010 Mouser Electronics

mouser.com/3m

PATCH CORDS

Provide extra reach and flexibility when connections are changed frequently or when off-board or test clips/breadboard connections are required. Wires are 26 AWG stranded with PVC insulation, color-coded by length. Pin and socket contacts have sleeve insulation and are stackable on .100 inch centers.



For quantities of 50 and up, call for quote.

MOUSER STOCK NO.	3M Part No.	Description	Price Each			
			1	5	10	25
517-924964-C	924964-C	Large socket-socket	107.55	96.79	87.11	78.40

© Copyright 2010 Mouser Electronics



(800) 346-6873

2115

3M

Test Connectors