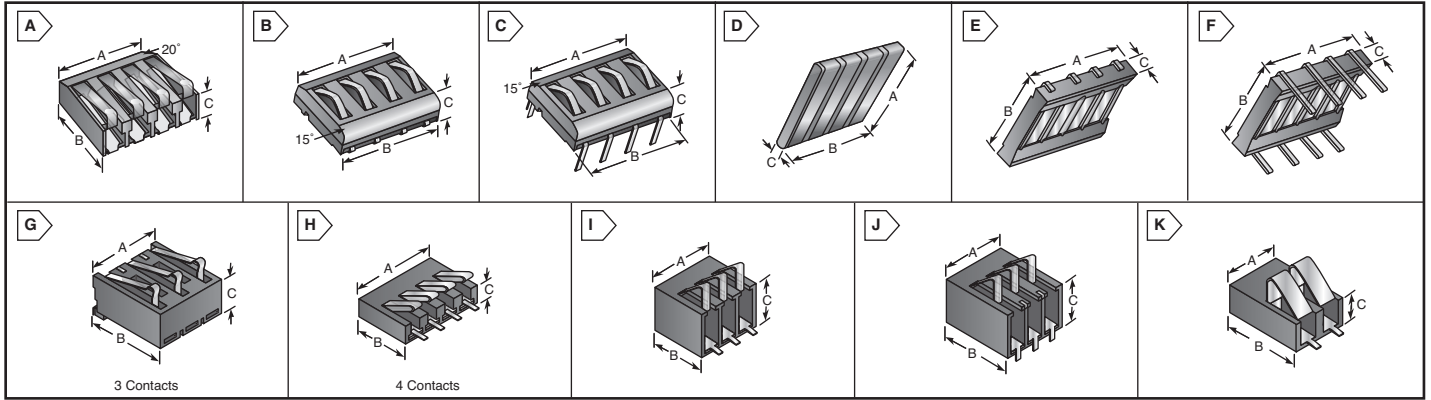


Modular Contacts



Bourns Modular Contacts can be used in cellular telephones, PDAs, laptop computers, portable medical and test equipment and anywhere a rechargeable battery pack is required. Bourns Modular Contacts provide a spring-loaded wiping contact connector for many other non-battery related applications.

Common Features:

- Types Available: Male and Female Contacts
- Function: Rechargeable battery packs, portable electronics and other contact application
- Sizes: 2.54mm, 4.0mm pitch and height

70AA / MALE

- Material:**
- Insulator: Glass reinforced thermoplastic, UL 94V-0 rated, black
 - Contact: Copper alloy

- Features:**
- 2 to 6 precious metal contacts
 - End-to-end stackable
 - Pick and place compatible
 - High cycle life

- Electrical Specifications:**
- Current rating: 3A/contact
 - Voltage: 60V



RoHS Compliant

For quantities of 100 and up, call for quote.

MOUSER STOCK NO.	Fig.	No. of Contacts	Mounting Type	Dimensions: mm			Price Each		
				A	B	C	1	10	50
652-70AAJ-2-M0	A	2	SMD	5.00	7.09	2.54	.88	.70	.63
652-70AAJ-3-M0	A	3	SMD	7.54	7.09	2.54	1.13	.90	.81
652-70AAJ-4-M0	A	4	SMD	10.20	7.09	2.54	1.38	1.10	.99
652-70AAJ-5-M0	A	5	SMD	12.62	7.09	2.54	1.75	1.40	1.26
652-70AAJ-6-M0	A	6	SMD	15.16	7.09	2.54	2.13	1.70	1.53

70AA / FEMALE

- Material:**
- Insulator: Glass reinforced thermoplastic, UL 94V-0 rated, black
 - Contact: Copper alloy

- Features:**
- 2 to 6 precious metal contacts
 - End-to-end stackable
 - Pick and place compatible
 - High cycle life

- Electrical Specifications:**
- Current rating: 3A/contact
 - Voltage: 60V



RoHS Compliant

For quantities of 100 and up, call for quote.

MOUSER STOCK NO.	Fig.	No. of Contacts	Mounting Type	Dimensions: mm			Price Each		
				A	B	C	1	10	50
652-70AAJ-2-F0	D	2	SMD	4.98	10.00	1.27	.50	.40	.36
652-70AAJ-3-F0	D	3	SMD	7.52	10.00	1.27	.75	.60	.54
652-70AAJ-4-F0	D	4	SMD	10.06	10.00	1.27	.90	.72	.648
652-70AAJ-5-F0	D	6	SMD	15.14	10.00	1.27	1.18	.94	.846
652-70AAJ-6-F1	D	6	SMD	15.14	10.00	1.27	1.18	.94	.846

70AD / MALE - 70ADJ

- Material:**
- Insulator: Glass reinforced thermoplastic, UL 94V-0 rated, black
 - Contact: Copper alloy
 - Meets MIL-STD-202, method 208

- Features:**
- Low profile
 - Rugged design
 - Vertical or horizontal entry

- Electrical Specifications:**
- Current rating: DC 3A/contact
 - Voltage: DC 30V

For quantities of 100 and up, call for quote.

MOUSER STOCK NO.	Fig.	No. of Contacts	Mounting Type	Dimensions: mm			Price Each		
				A	B	C	1	10	50
652-70ADJ-2-ML0	B	2	SMD	7.7	11.2	4.0	1.30	1.04	.799
652-70ADJ-2-ML1	B	2	SMD	7.7	11.2	4.0	1.30	1.04	.799
652-70ADJ-3-ML0	B	3	SMD	11.7	11.2	4.0	1.63	1.30	.99
652-70ADJ-4-ML0	B	4	SMD	15.7	11.2	4.0	2.03	1.62	1.24
652-70ADJ-4-ML1	B	4	SMD	15.7	11.2	4.0	2.03	1.62	1.24
652-70ADJ-5-ML0	B	5	SMD	19.7	11.2	4.0	2.45	1.96	1.50
652-70ADJ-5-ML1	B	5	SMD	19.7	11.2	4.0	2.45	1.96	1.50
652-70ADJ-6-ML0	B	6	SMD	23.7	11.2	4.0	2.85	2.28	1.75
652-70ADJ-6-ML1	B	6	SMD	23.7	11.2	4.0	2.85	2.28	1.75

70AD / FEMALE - 70ADJ

- Material:**
- Insulator: Glass reinforced thermoplastic, UL 94V-0 rated, black
 - Contact: Copper alloy
 - Meets MIL-STD-202, method 208

- Features:**
- Rechargeable battery-pack applications
 - Precious metal contacts

- Electrical Specifications:**
- Current rating: DC 3A/contact
 - Voltage: DC 30V

For quantities of 100 and up, call for quote.

MOUSER STOCK NO.	Fig.	No. of Contacts	Mounting Type	Dimensions: mm			Price Each		
				A	B	C	1	10	50
652-70ADJ-2-FLO	E	2	SMD	9.0	11.6	2.3	1.23	.98	.753
652-70ADJ-2-FL1	E	2	SMD	9.0	11.6	2.3	1.23	.98	.753
652-70ADJ-3-FLO	E	3	SMD	13.0	11.6	2.3	1.45	1.16	.892
652-70ADJ-4-FLO	E	4	SMD	17.0	11.6	2.3	1.83	1.46	1.12
652-70ADJ-5-FL1	E	5	SMD	21.0	11.6	2.3	2.18	1.74	1.33
652-70ADJ-6-FL1	E	6	SMD	25.0	11.6	2.3	2.55	2.04	1.56

70AD / MALE - 70ADH

- Material:**
- Insulator: Glass reinforced thermoplastic, UL 94V-0 rated, black
 - Contact: Copper alloy
 - Meets MIL-STD-202, method 208

- Features:**
- Low profile
 - Rugged design
 - Vertical or horizontal entry

- Electrical Specifications:**
- Current rating: DC 3A/contact
 - Voltage: DC 30V

For quantities of 100 and up, call for quote.

MOUSER STOCK NO.	Fig.	No. of Contacts	Mounting Type	Dimensions: mm			Price Each		
				A	B	C	1	10	50
652-70ADH-2-ML0	C	2	PC pin	7.7	11.2	4.0	1.30	1.04	.799
652-70ADH-3-ML0	C	3	PC pin	11.7	11.2	4.0	1.63	1.30	.99
652-70ADH-4-ML0	C	4	PC pin	15.7	11.2	4.0	2.03	1.62	1.24
652-70ADH-5-ML0	C	5	PC pin	19.7	11.2	4.0	2.45	1.96	1.50
652-70ADH-6-ML0	C	6	PC pin	23.7	11.2	4.0	2.85	2.28	1.75

70AD / FEMALE - 70ADH

- Material:**
- Insulator: Glass reinforced thermoplastic, UL 94V-0 rated, black
 - Contact: Copper alloy
 - Meets MIL-STD-202, method 208

- Features:**
- Rechargeable battery-pack applications
 - Precious metal contacts

- Electrical Specifications:**
- Current rating: DC 3A/contact
 - Voltage: DC 30V

For quantities of 100 and up, call for quote.

MOUSER STOCK NO.	Fig.	No. of Contacts	Mounting Type	Dimensions: mm			Price Each		
				A	B	C	1	10	50
652-70ADH-2-FLO	F	2	PC pin	9.0	11.6	2.08	1.23	.98	.753
652-70ADH-3-FLO	F	3	PC pin	13.0	11.6	2.08	1.45	1.16	.892
652-70ADH-4-FLO	F	4	PC pin	17.0	11.6	2.08	1.83	1.46	1.12
652-70ADH-5-FLO	F	5	PC pin	21.0	11.6	2.08	2.18	1.74	1.33
652-70ADH-6-FLO	F	6	PC pin	25.0	11.6	2.08	2.55	2.04	1.56

KOBICONN MODULAR CONTACTS

- Material:**
- Current rating: 1.0A AC/DC
 - Voltage rating: 250V AC/DC
 - Contact resistance: 30m ohms Max
 - Insulation Resistance: 100M ohm Min
 - Withstanding voltage: 500V AC/minute

- Electrical Specifications:**
- Housing: High temp. plastic
 - Terminal: Copper Alloy
 - Plating: Tin Selective Gold

For quantities of 500 and up, call for quote.

MOUSER STOCK NO.	Fig.	No. of Contacts	Mounting Type	Dimensions: mm			Price Each			
				A	B	C	1	10	50	100
164-19201-311-E	G	3	R/A SMT	8.20	8.50	3.70	.93	.62	.56	.51
164-19201-411-E	G	4	R/A SMT	11.20	8.50	3.70	.93	.62	.56	.51
164-19202-411-E	H	4	Straight SMT	10.60	6.00	1.90	1.01	.67	.61	.55
164-19202-611-E	H	6	Straight SMT	15.68	6.00	1.90	1.14	.76	.69	.63
164-19203-311-E	I	3	Straight SMT	6.50	5.00	4.00	.87	.58	.53	.48
164-19204-321-E	J	3	R/A SMT	6.50	7.00	3.50	.89	.59	.54	.49
164-19213-200-E	K	2	Straight SMT	4.90	8.10	3.00	.56	.37	.34	.31