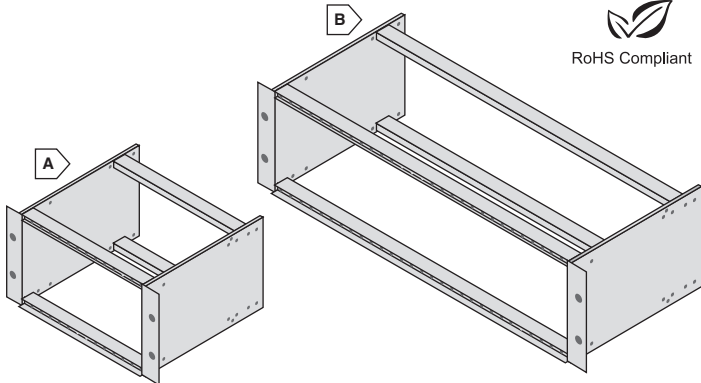


VECTOR Racks and Accessories



VECTOR COMPACT CPCI® SUBRACKS

Subracks for 3U or 6U Compact PCI applications are available off-the-shelf in assembled or kit form. Four standard depths are offered. The 10" depth allows for backplane mounting. The 12" wide depth accommodates 80mm rear I/O card guides and the 15" depth accepts greater than 160mm rear I/O and can accommodate 220mm cards if specified. cPCI® subracks built to IEEE 1101.10 and 1101.11 standards come with one pair of guides for sampling. Additional guides and accessories including perforated top and bottom covers can be ordered. Custom orders are welcomed.



RoHS Compliant

| MOUSER STOCK NO. | Vector Part No. | Fig. | Description | | | Price Each | |
|------------------|-----------------|------|-------------|-------|--------|------------|--------|
| | | | Width | Depth | Height | 1 | 5 |
| 574-CCA26-36-00 | CCA26-36-00 | A | 7.4" | 8.5" | 3U | 160.20 | 152.19 |
| 574-CCA32-84 | CCA32-84-00-00 | B | 19.0" | 15.0" | 6U | 233.26 | 228.26 |

VECTOR COMPACT CPCI® SUBRACKS

- For use with Subracks
- In packages of 12

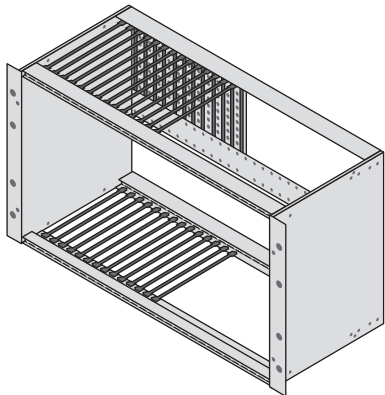
RoHS Compliant

| MOUSER STOCK NO. | Vector Part No. | Description | Price Per Pack | |
|------------------|-----------------|------------------|----------------|-------|
| | | | 1 | 5 |
| 574-CG3-160/12 | CG3-160/12 | Card Guide 160mm | 29.35 | 23.66 |

VECTOR DIN BASED VECTOR-PAK® SUBRACK KITS AND CARD GUIDES

Vector Subrack packaging for 19" systems offers a versatile and comprehensive solution to your packaging needs. Based on DIN 41914, all parts conform to a system which allows your unique design to be constructed from a combination of standards. You may mix module sizes and add accessories without the need for special designs.

Other subracks and accessories are available.



RoHS Compliant

- Assembled CCK160-6U with optional card guides

| MOUSER STOCK NO. | Vector Part No. | Dimensions W x H x D (in.) | Card Size H x W | Price Each | |
|------------------|-----------------|----------------------------|-----------------|------------|--------|
| | | | | 1 | 5 |
| 574-CCK220-3U | CCK220-3U | 19 x 5.25 x 11.65 | 3U x 220mm | 192.66 | 169.02 |
| 574-CCK220-6U | CCK220-6U | 19 x 10.50 x 12 | 6U x 220mm | 209.95 | 188.26 |

VECTOR CARD GUIDES FOR DIN-BASED SUBRACKS

- Snap-in Type: glass filled noryl
- In packages of 12

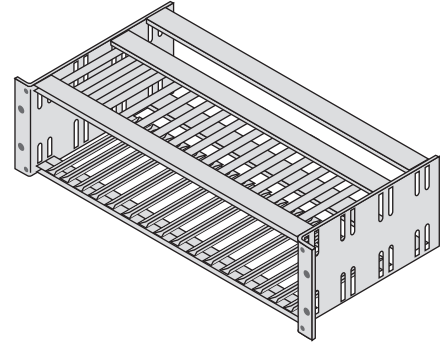
RoHS Compliant

| MOUSER STOCK NO. | Vector Part No. | Length (mm) | Card Thickness | Application | Price Per Pack | |
|------------------|-----------------|-------------|----------------|-------------|----------------|-------|
| | | | | | 1 | 5 |
| 574-CG1-160-12 | CG1-160/12 | 160 | 0.062 | CCK160 | 21.60 | 19.00 |
| 574-CG1-220-12 | CG1-220/12 | 220 | 0.062 | CCK220 | 25.81 | 23.14 |

VECTOR EIA BASED VECTOR-PAK® SUBRACKS AND CARD GUIDES

Features:

- Guide Positions at 0.25" increments
- Adjustable Slots
- Sidewall Slots Adjustable to 1"
- For 4.5" x 6.5" cards
- Rear Struts for Mounting Connectors
- Available in Kits or Assembled
- Card Size H x W (In): 4.5 x 5.5-7.0
- Construction: 0.080" Thick Aluminum, Clear Chromate Finish



RoHS Compliant

CCK = Kit CCA = Assembled

| MOUSER STOCK NO. | Vector Part No. | Dimensions W x H x D (in.) | Snap-In Guide Sets | Price Each | |
|------------------|-----------------|----------------------------|--------------------|------------|--------|
| | | | | 1 | 5 |
| 574-CCA13S/90 | CCA13S/90 | 19.00 x 5.25 x 9.00 | 21 | 181.65 | 162.33 |
| 574-CCK13S/90 | CCK13S/90 | 19.00 x 5.25 x 9.00 | 21 | 178.90 | 163.50 |
| 574-CCK13S-HT/90 | CCK13S-HT/90 | 8.12 x 5.25 x 8.12 | 10 | 131.93 | 116.65 |

VECTOR CARD GUIDES FOR EIA-BASED SUBRACKS

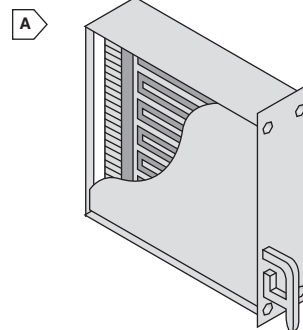
- In packages of 12
- PS = Plastic, Screw
- NSI = Nylon, Snap-In

RoHS Compliant

| MOUSER STOCK NO. | Vector Part No. | Type | Length (in.) | Center (in.) | Application | Price Each |
|------------------|-----------------|-------------------|--------------|--------------|--|------------|
| | | | | | | 1 |
| 574-CG2-65M | CG2-65M | Metal, Screw-In | 5.42 | 1.50 | Subrack series | 58.00 |
| 574-CG2-65P | CG2-65P | Plastic, Screw-in | 5.42 | 4.50 | 12, 13, 14, 17, | 24.64 |
| 574-CG2-65S | CG2-65S | Nylon, Snap-in | 5.42 | 4.50 | 18 & 100 & Vector P series sidewalls | 14.04 |
| 574-CG2-80S | CG2-80S | Nylon, Snap-in | 6.93 | 7.50 | 12, 13, 14, 17, | 20.64 |
| 574-CG2-95M | CG2-95M | Metal, Screw-In | 8.14 | 7.50 | 18 & 100 and Vector P series sidewall ending | 26.55 |
| 574-CG2-95P | CG2-95P | Plastic, Screw-in | 8.14 | 7.50 | | 25.46 |

VECTOR EFP MODULES

Extended front panels provide thumb screw mounting and flush kit from module to module with strut line.



RoHS Compliant

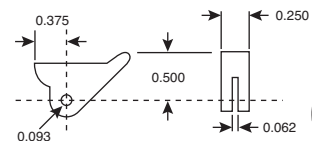
| MOUSER STOCK NO. | Vector Part No. | Fig. | Use with Subrack | Price Each | |
|------------------|-----------------|------|------------------|------------|-------|
| | | | | 1 | 5 |
| 574-EFP164A66 | EFP164A66 | A | CMA13 | 40.53 | 34.29 |
| 574-EFP204A66 | EFP204A66 | A | CMA13 | 34.72 | 30.65 |

VECTOR ACCESSORIES

Rotation Type Ejector Handle

Features:

- Card Ejector, Corner Mounting
- White Nylon (Hardware included)
- Supports up to 40lbs. Extraction Force



DIMENSIONS: in.

RoHS Compliant

| MOUSER STOCK NO. | Vector Part No. | Packaging | Price Per Pack | |
|------------------|-----------------|----------------|----------------|--------|
| | | | 1 | 5 |
| 574-HA9-4 | HA9/4 | Package of 4 | 10.61 | 9.52 |
| 574-HA9/C | HA9/C | Package of 100 | 121.15 | 106.81 |