

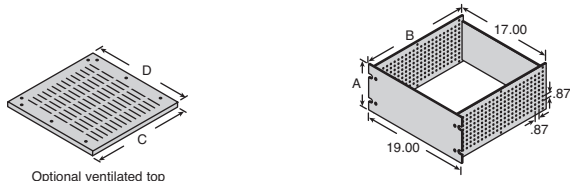
BUD Rack Mount Chassis and Accessories



RAK-MOUNT CHASSIS

Side panel mounting holes are punched on .87" grid to allow total flexibility in mounting of components. Rear panel is fully adjustable from front to rear. Standard 19" front panels feature "Surface Shield" protection which provides surface for laying out drilling and punching positions. Natural finish

- Front Panel: .12" thick mill finish aluminum with "Surface Shield" protection.
- Side and Rear Panels: .090" aluminum
- Shipped unassembled with all necessary assembly hardware



Optional ventilated top

Standard Chassis For quantities greater than 2, call for quote.

MOUSER STOCK NO.	Bud Part No.	Dimensions: in.		Price Each		Internal Chassis	Handles (2 Required)
		A	B	1	5		
563-RM-14212	RM-14212	5.25	17.06	55.19	53.59	C-14242	H-9160-B
563-RM-14213	RM-14213	7.00	17.06	63.19	61.31	C-14243	H-9111-B
563-RM-14214	RM-14214	8.75	17.06	75.89	73.64	C-14244	H-9112-B
563-RM-14215	RM-14215	10.50	17.06	96.62	86.94	C-14245	H-9113-B
563-RM-14222	RM-14222	5.25	22.00	67.05	60.34	C-14242	H-9160-B
563-RM-14223	RM-14223	7.00	22.00	78.68	70.82	C-14243	H-9111-B
563-RM-14224	RM-14224	8.75	22.00	95.78	86.22	C-14244	H-9112-B
563-RM-14225	RM-14225	10.50	22.00	114.15	102.72	C-14245	H-9113-B

Internal Chassis For quantities greater than 2, call for quote.

MOUSER STOCK NO.	Bud Part No.	Dimensions: in.		Price Each	
		C	D	1	5
563-C-14242	C-14242	4.28	16.82	20.00	16.70
563-C-14243	C-14243	6.03	16.82	23.30	19.45
563-C-14244	C-14244	7.78	16.82	26.70	22.30
563-C-14245	C-14245	9.53	16.82	30.00	25.05

Optional Accessories

- Solid top or bottom cover: .050" aluminum, natural finish. Can also be used on bottom as full depth chassis for mounting components.
- Ventilated top or bottom cover: .050" aluminum, natural finish, .13" x .75" slots for max. ventilation.
- Two piece slide: 20" long with 15" travel. Supplied in pairs. Order mounting brackets separately. Requires two pairs of panel mounting rails.

For quantities greater than 2, call for quote.

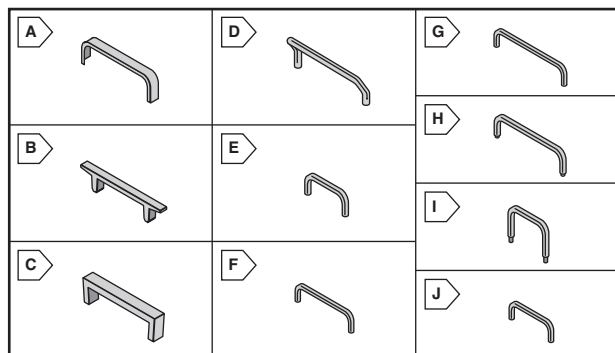
MOUSER STOCK NO.	Bud Part No.	Description	Price Each	
			1	5
563-TBC-14252	TBC-14252	Solid top or bottom cover, 17 in.	31.37	26.23
563-TBC-14262	TBC-14262	Ventilated top or bottom cover, 17 in.	33.10	27.65
563-TBC-14253	TBC-14253	Solid top or bottom cover, 22 in.	33.60	28.10
563-TBC-14263	TBC-14263	Ventilated top or bottom cover, 22 in.	35.50	29.69
563-MB-14273	MB-14273	Rear Mounting Bracket	30.80	23.20
563-AS-5002-A	AS-5002-A	Slides, Pair	35.09	31.60

HANDLES

Styled for all types of applications, designed for long wear; quality construction equals that of high priced counterparts.

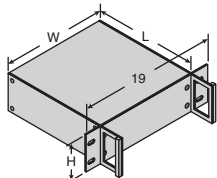
For quantities greater than 25, call for quote.

MOUSER STOCK NO.	Bud Part No.	Fig.	Description	Mounting Centers (In.)	Price Each			
					1	5	10	25
563-H-9174-B	H-9174-B	A	Clear Anodized Aluminum	4.00	10.80	9.05	8.15	7.25
563-H-9176-B	H-9176-B	B	Clear Anodized Aluminum	3.25	13.60	11.40	10.25	9.10
563-H-9177-B	H-9177-B	C	Clear Anodized Aluminum	4.38	19.20	16.10	14.50	12.90
563-H-9110-B	H-9110-B	D	Chrome Plated ϕ .37" Steel	6.00	8.30	6.95	6.25	5.55
563-H-9111-B	H-9111-B	E	Chrome Plated ϕ .37" Steel	4.00	6.40	5.30	5.11	4.92
563-H-9112-B	H-9112-B	F	Chrome Plated ϕ .37" Steel	6.00	7.80	6.49	5.85	5.20
563-H-9113-B	H-9113-B	G	Chrome Plated ϕ .37" Steel	8.00	10.60	8.85	7.95	7.10
563-H-9116-B	H-9116-B	H	Chrome Plated ϕ .37" Steel	6.00	11.20	9.35	8.87	8.40
563-H-9160-B	H-9160-B	I	Chrome Plated ϕ .37" Steel	3.50	12.40	10.35	9.30	8.30
563-H-9166-B	H-9166-B	J	Chrome Plated ϕ .37" Brass	1.91	6.00	4.99	4.50	4.00
563-H-9168-B	H-9168-B	J	Chrome Plated ϕ .37" Brass	3.00	5.70	4.70	4.25	3.75



VALULINE RACK MOUNT CHASSIS

This Bud series has, for years, been one of the most requested by industry. It's well styled, quality constructed, economical, and versatile — can be used independently or in a standard E.I.A. 19" cabinet.



- Side and front panel, .090" aluminum
- Base, rear, and top, .050" aluminum
- Handles, aluminum extrusions
- Sides, white textured, rear and top smooth white
- Two detachable 11 gauge steel rack mounting brackets and rubber feet included
- Adhesive-backed paper protects panels and provides surface for laying out positions for drilling or punching

Without Handles For quantities greater than 25, call for quote.

MOUSER STOCK NO.	Bud Part No.	Dimensions: in.			Price Each			
		L	W	H	1	5	10	25
563-NHC-14150	NHC-14150	8.00	8.50	1.75	60.10	54.10	48.10	46.80
563-NHC-14151	NHC-14151	8.00	17.00	1.75	81.85	73.65	65.50	63.70
563-NHC-14152	NHC-14152	13.00	17.00	1.75	96.85	87.15	77.50	75.40
563-NHC-14153	NHC-14153	8.00	8.50	3.50	69.05	62.15	55.25	53.76
563-NHC-14154	NHC-14154	8.00	17.00	3.50	84.49	76.04	67.59	65.78
563-NHC-14155	NHC-14155	13.00	17.00	3.50	108.65	97.80	86.90	84.57
563-NHC14156	NHC-14156	13.00	17.00	5.25	127.75	115.00	102.20	99.45
563-NHC-14157	NHC-14157	13.00	17.00	7.00	151.40	136.25	121.10	117.85

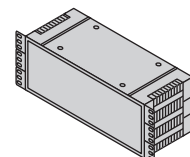
With Handles For quantities greater than 25, call for quote.

MOUSER STOCK NO.	Bud Part No.	Dimensions: in.			Price Each			
		L	W	H	1	5	10	25
563-HC-14097	HC-14097	8.00	17.00	1.75	114.00	102.60	91.20	88.73
563-HC14098	HC-14098	13.00	17.00	1.75	127.50	114.75	102.00	99.26
563-HC14099	HC-14099	8.00	17.00	3.50	81.00	72.90	64.80	63.05
563-HC-14100	HC-14100	13.00	12.75	3.50	149.50	134.55	119.60	116.35
563-HC-14101	HC-14101	13.00	17.00	3.50	157.70	141.95	126.15	122.79
563-HC-14102	HC-14102	13.00	12.75	5.25	162.25	146.05	129.80	126.30
563-HC-14103	HC-14103	13.00	17.00	5.25	162.60	146.35	130.10	126.56
563-HC-14104	HC-14104	13.00	17.00	7.00	170.70	153.65	136.55	132.86
563-HC-14105	HC-14105	13.00	17.00	8.75	178.85	160.95	143.10	139.23
563-HC-14106	HC-14106	13.00	17.00	10.50	187.05	168.35	149.65	145.60
563-HC-14107	HC-14107	15.00	17.00	10.50	200.05	180.05	160.05	155.74
563-HC-14108	HC-14108	15.00	17.00	12.25	223.85	201.45	179.10	174.20
563-HC-14109	HC-14109	15.00	17.00	14.00	235.95	212.35	188.75	183.63

PLASTIC RACK MOUNT BOX

Features:

- Available in either a desktop or a rackmount configuration.
- 19" rack mountable EIA standards
- Available in three popular heights: 1-U, 2-U, and 3-U
- Fully ventilated side panels provide maximum cooling of internal components
- Internal PCB mounting bosses
- Black ABS plastic, UL94-HB flammability rating

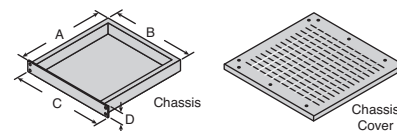


For quantities greater than 25, call for quote.

MOUSER STOCK NO.	Bud Part No.	Dimensions: in. H x W	Price Each			
			1	5	10	25
563-PRM-14460	PRM-14460	1.75 x 8.00 (1-U)	31.60	26.35	23.70	21.10
563-PRM-14462	PRM-14462	3.50 x 8.00 (2-U)	41.00	34.20	30.80	29.30
563-PRM-14464	PRM-14464	5.25 x 8.00 (3-U)	55.50	46.30	41.65	37.05

SMALL ALUMINUM RACK MOUNT CHASSIS & COVERS

Five sizes of aluminum rack mount chassis. 1U and 2U versions, in three different depths. Adaptable for slide mounting. Requires two pairs of panel mounting rails when used with slides.



Slides:
Panels are .10" thick aluminum.
Chassis are .05" thick aluminum.

Small Rack Mount Chassis For quantities greater than 25, call for quote.

MOUSER STOCK NO.	Bud Part No.	Dimensions: in.				Price Each			
		A	B	C	D	1	5	10	25
563-CH14400	CH-14400	4.00	17.00	19.00	1.80	39.60	33.06	27.72	26.53
563-CH-14401	CH-14401	8.00	17.00	19.00	1.80	44.37	39.97	37.03	35.28
563-CH-14402	CH-14402	16.00	17.00	19.00	1.80	64.77	58.34	54.06	51.52
563-CH-14403	CH-14403	8.00	17.00	19.00	3.50	62.63	56.34	52.28	49.77
563-CH-14404	CH-14404	16.00	17.00	19.00	3.50	86.70	72.40	60.68	58.09

Small Rack Mount Chassis Covers For quantities greater than 25, call for quote.

MOUSER STOCK NO.	Bud Part No.	Description	Price Each			
			1	5	10	25
563-C-14430	C-14430	4" x 17" Ventilated cover	11.90	9.92	8.32	7.98
563-C-14440	C-14440	4" x 17" Solid cover	10.00	8.49	6.98	6.70
563-C-14431	C-14431	8" x 17" Ventilated cover	18.57	16.70	14.01	13.40
563-C-14441	C-14441	8" x 17" Solid cover	15.80	13.17	11.08	10.59
563-C-14432	C-14432	16" x 17" Ventilated cover	29.69	26.70	22.38	21.44
563-C-14442	C-14442	16" x 17" Solid cover	27.00	22.95	18.60	18.10