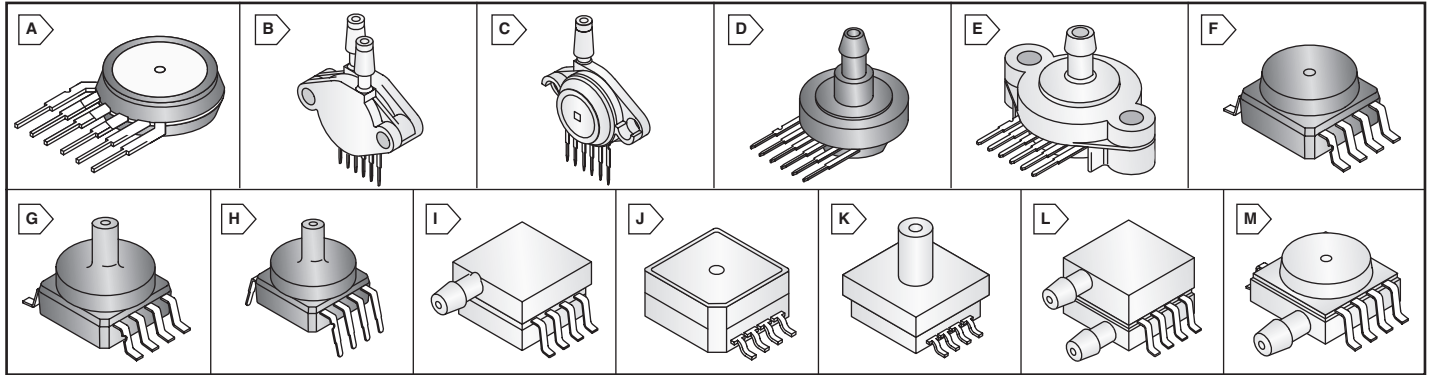


FREESCALE Pressure Sensors



Products may be RoHS compliant. Check mouser.com for RoHS status.



INTEGRATED PRESSURE SENSORS (CONT.)

To make the designer's job even easier, Freescale integrated devices carry sensor technology one step further. In addition to the on-chip temperature compensation and calibration offered currently on the 2000 series, amplifier signal conditioning has been integrated on-chip in the 4000, 5000 and 6000 series to allow interface directly to any microcomputer with an on-board A/D converter. The signal conditioning is accomplished by means of a four-stage amplification network, incorporating linear bipolar processing, thin film metallization techniques, and interactive laser trimming to provide the state-of-the-art in sensor technology.

Features:

- Broad portfolio of packaging and porting options for design flexibility
- Cost-effective
- Wide operating temperature range of -40°C to 125°C
- Fully signal conditioned, compensated and calibrated
- Interface seamlessly with Freescale processors
- Ratiometric to supply voltage

For quantities of 200 and up, call for quote.

MOUSER STOCK NO.	Freescale Part No.	Fig.	Package	Pressure Rating Max (psi)	Pressure Rating H2O Max (in)	Pressure Measurement Type	Price Each		
							1	25	100
841-MPX5100D	MPX5100D	A	6 Pin Unibody	14.5	401	Differential	10.34	9.48	8.65
841-MPX5100DP	MPX5100DP	B	6 Pin Unibody Dual Port	14.5	401	Differential	11.73	10.74	9.82
841-MPX5100GP	MPX5100GP	C	6 Pin Unibody Gauge Port	14.5	401	Differential	10.34	9.48	8.65
841-MPX5500D	MPX5500D	A	6 Pin Unibody	72.5	2000	Differential	10.34	9.48	8.65
841-MPX5500DP	MPX5500DP	B	6 Pin Unibody Dual Port	72.5	2000	Differential	11.73	10.74	9.82
841-MPX5700A	MPX5700A	A	6 Pin Unibody	102	2810	Absolute	10.34	9.48	8.65
841-MPX5700AP	MPX5700AP	C	6 Pin Unibody Gauge Port	102	2810	Absolute	11.73	10.74	9.82
841-MPX5700AS	MPX5700AS	D	6 Pin Unibody Stovpipe Port	102	2810	Absolute	11.73	10.74	9.82
841-MPX5700ASX	MPX5700ASX	E	6 Pin Unibody Axial Port	102	2810	Absolute	11.73	10.74	9.82
841-MPX5700D	MPX5700D	A	6 Pin Unibody	102	2810	Differential	10.34	9.48	8.65
841-MPX5700DP	MPX5700DP	B	6 Pin Unibody Dual Port	102	2810	Differential	10.34	9.48	8.65
841-MPX5700GP	MPX5700GP	C	6 Pin Unibody Gauge Port	102	2810	Gauge	10.34	9.48	8.65
841-MPX5700GP1	MPX5700GP1	C	6 Pin Unibody Gauge Port	102	2810	Gauge	11.73	10.74	9.82
841-MPX5700GS	MPX5700GS	D	6 Pin Unibody Stovpipe Port	102	2810	Gauge	11.73	10.74	9.82
841-MPX5999D	MPX5999D	A	6 Pin Unibody	150	4150	Differential	10.34	9.48	8.65
841-MPXA6115A6U	MPXA6115A6U	F	Small Outline SMT	16.7	462	Absolute	8.97	8.23	7.10
841-MPXA6115AC6U	MPXA6115AC6U	G	Sm Outln w/Axial Port	16.7	462	Absolute	9.28	8.51	7.34
841-MPXA6115AC7U	MPXA6115AC7U	H	Sm Outln DIP w/Axial Port	16.7	462	Absolute	11.55	9.87	8.95
841-MPXAZ6115A6U	MPXAZ6115A6U	F	Small Outline SMT	16.7	462	Absolute	9.28	8.51	7.77
841-MPXAZ6115AC6U	MPXAZ6115AC6U	G	Sm Outln w/Axial Port	16.7	462	Absolute	9.57	8.77	8.01
841-MPXAZ6115A6U	MPXAZ6115A6U	I	Sensor 8 Pin GP	16.7	462	Absolute	9.28	7.77	7.34
841-MPXH6101A6U	MPXH6101A6U	J	Sensor SSOP 08 w/o Port	14.8	410	Absolute	7.13	6.55	5.97
841-MPXH6101AC6U	MPXH6101AC6U	K	Sensor SSOP 08 Ported	14.8	410	Absolute	7.38	6.18	5.59
841-MPXH6115A6U	MPXH6115A6U	J	Sensor SSOP 08 w/o Port	16.7	462	Absolute	7.13	6.55	5.65
841-MPXH6115AC6U	MPXH6115AC6U	K	Sensor SSOP 08 Ported	16.7	462	Absolute	7.56	6.93	5.98
841-MPXH6250A6U	MPXH6250A6U	J	Sensor SSOP 08 w/o Port	36	1000	Absolute	7.27	6.67	5.75
841-MPXH6250AC6U	MPXH6250AC6U	K	Sensor SSOP 08 Ported	36	1000	Absolute	7.38	6.77	5.84
841-MPXH6300A6U	MPXH6300A6U	J	Sensor SSOP 08 w/o Port	44	1200	Absolute	7.27	6.67	5.75
841-MPXH6300AC6U	MPXH6300AC6U	K	Sensor SSOP 08 Ported	44	1200	Absolute	7.38	6.77	6.18
841-MPXH6400AC6T1	MPXH6400AC6T1	K	Sensor SSOP 08 Ported	58	1605	Absolute	7.38	5.84	5.54
841-MPXH6400AC6U	MPXH6400AC6U	K	Sensor SSOP 08 Ported	58	1605	Absolute	7.38	6.18	5.84
841-MPXHZ6115A6U	MPXHZ6115A6U	J	Sensor SSOP 08 w/o Port	16.7	462	Absolute	7.40	6.79	6.19
841-MPXHZ6115AC6U	MPXHZ6115AC6U	K	Sensor SSOP 08 Ported	16.7	462	Absolute	7.71	7.06	6.44
841-MPXV4006DP	MPXV4006DP	L	Sensor 8 Pin Dual Port	0.87	24	Differential	9.04	8.28	6.81
841-MPXV4006GC6T1	MPXV4006GC6T1	G	Small Outline w/Axial Port	0.87	24	Gauge	9.27	8.32	6.84
841-MPXV4006GC6U	MPXV4006GC6U	G	Small Outline w/Axial Port	0.87	24	Gauge	9.27	8.32	7.61
841-MPXV4006GC7U	MPXV4006GC7U	H	Small Outline DIP w/Axial Port	0.87	24	Gauge	9.09	8.32	7.61
841-MPXV4006GP	MPXV4006GP	I	Sensor 8 Pin GP	0.87	24	Gauge	8.95	8.18	7.48
841-MPV5004GP	MPV5004GP	I	Sensor 8 Pin GP	0.57	-	Gauge	8.88	8.18	7.71
841-MPXV5004DP	MPXV5004DP	L	Sensor 8 Pin Dual Port	0.57	16	Differential	8.94	8.18	7.48
841-MPXV5004GC6T1	MPXV5004GC6T1	G	Small Outline SMT w/Axial Port	0.57	16	Gauge	9.09	8.32	6.84
841-MPXV5004GC6U	MPXV5004GC6U	G	Small Outline SMT w/Axial Port	0.57	16	Gauge	9.09	8.32	7.61
841-MPXV5004GC7U	MPXV5004GC7U	H	Small Outline DIP w/Axial Port	0.57	16	Gauge	9.09	8.32	7.61
841-MPXV5004GP	MPXV5004GP	I	Sensor 8 Pin GP	0.57	16	Gauge	9.04	8.28	7.57
841-MPXV5004GVP	MPXV5004GVP	M	Sensor 8 Pin GVP	0.57	16	Vacuum	8.94	8.18	7.48
841-MPXV5010DP	MPXV5010DP	L	Sensor 8 Pin Dual Port	1.45	40	Differential	8.94	8.19	6.72
841-MPXV5010G6U	MPXV5010G6U	F	Small Outline SMT	1.45	40	Gauge	9.12	8.18	7.48
841-MPXV5010GC6T1	MPXV5010GC6T1	G	Small Outline SMT w/Axial Port	1.45	40	Gauge	9.27	8.32	6.84
841-MPXV5010GC6U	MPXV5010GC6U	G	Small Outline SMT w/Axial Port	1.45	40	Gauge	9.09	8.32	7.61
841-MPXV5010GC7U	MPXV5010GC7U	H	Small Outline DIP w/Axial Port	1.45	40	Gauge	9.09	8.32	7.61
841-MPXV5010GP	MPXV5010GP	I	Sensor 8 Pin GP	1.45	40	Gauge	8.94	8.18	7.48
841-MPXV5050DP	MPXV5050DP	L	Sensor 8 Pin Dual Port	7.25	201	Differential	8.94	8.18	6.72
841-MPXV5050GC6U	MPXV5050GC6U	G	Small Outline SMT w/Axial Port	7.25	-	Gauge	9.04	8.32	7.85
841-MPXV5050GP	MPXV5050GP	I	Sensor 8 Pin GP	7.25	201	Gauge	8.94	8.18	7.48
841-MPXV5050VC6T1	MPXV5050VC6T1	G	Small Outline SMT w/Axial Port	7.25	201	Absolute	9.28	7.77	6.97
841-MPXV5100DP	MPXV5100DP	L	Sensor 8 Pin Dual Port	14.5	401	Absolute	8.97	7.51	7.10
841-MPXV5100GC6U	MPXV5100GC6U	H	Small Outline SMT w/Axial Port	14.5	401	Absolute	9.28	8.51	7.34
841-MPXV5100GC7U	MPXV5100GC7U	H	Small Outline DIP w/Axial Port	14.5	401	Absolute	9.28	7.77	7.34
841-MPXV6115VC6U	MPXV6115VC6U	G	Small Outline SMT w/Axial Port	16.7	462	Vacuum	9.28	8.51	7.34
841-MPXV7002DP	MPXV7002DP	L	Sensor 8 Pin Dual Port	0.3	8	Differential	8.94	8.18	7.38
841-MPXV7002DPT1	MPXV7002DPT1	L	Sensor 8 Pin Dual Port	0.3	8	Differential	8.94	8.18	6.72
841-MPXV7002GP	MPXV7002GP	I	Sensor 8 Pin GP	0.3	-	Differential	9.12	8.18	6.72
841-MPXV7007DP	MPXV7007DP	L	Sensor 8 Pin Dual Port	1	28	Differential	9.12	8.18	7.48
841-MPXV7007GC6U	MPXV7007GC6U	G	Small Outline SMT w/Axial Port	1	28	Gauge	9.27	8.32	7.61
841-MPXV7007GP	MPXV7007GP	I	Sensor 8 Pin GP	1	28	Gauge	9.12	8.18	6.72
841-MPXV7025DP	MPXV7025DP	L	Sensor 8 Pin Dual Port	3.6	100	Differential	9.12	8.18	7.48
841-MPXV7025GC6U	MPXV7025GC6U	G	Small Outline SMT w/Axial Port	3.6	100	Gauge	9.27	8.32	7.61
841-MPXV7025GP	MPXV7025GP	I	Sensor 8 Pin GP	3.6	25	Gauge	9.12	8.18	6.72