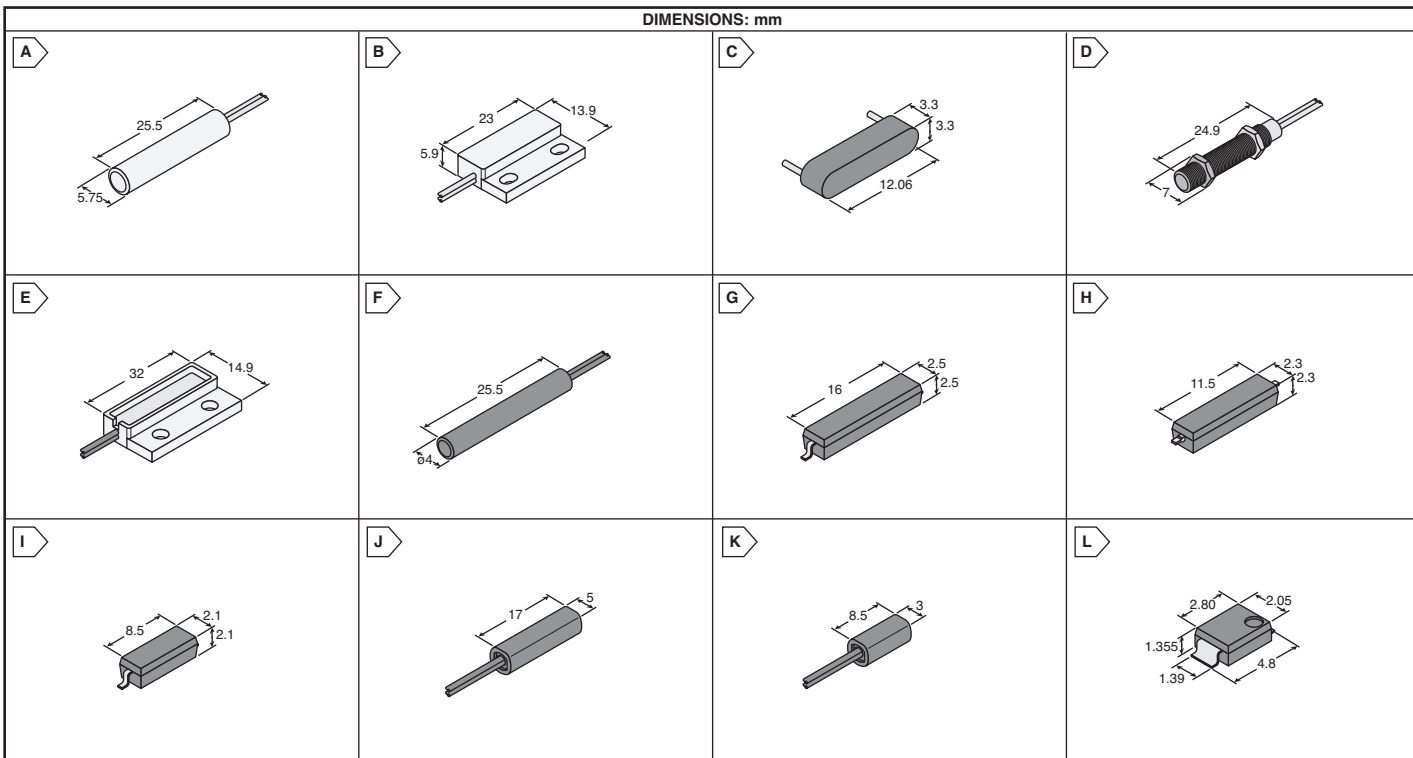


# MEDER Reed Sensors



## MEDER MK SERIES - REED SENSORS

\* Latching sensor opened or closed by passing magnet and remains in that state until a magnet of opposite polarity or direction passes by again.

\*\* Flat, bent SMD leads

† J-leads



RoHS Compliant

For quantities of 50 and up, call for quote.

MOUSER STOCK NO.	Meder Part No.	Fig.	Contact Form	Switching Power (max.)	Switching Voltage (max.)	Switching Current (max.)	Carry Current (max.)	Operate Time (incl. bounce)	Must Operate/Release (max.)	Magnetic Sensitivity Pull in Range (mm)	Price Each	
											1	25
<b>MK3 - Cylindrical</b>												
<b>876-MK3-1A66B-500W</b>	MK3-1A66B-500W	A	Form A	10 W	200 V	0.5 A	1.25 A	0.5 ms	30 / 27 AT	10-15	3.76	3.57
<b>876-MK3-1B90C-500W</b>	MK3-1B90C-500W	A	Form B	3 W	175 V	0.25 A	1.2 A	0.7 ms	35 / 30 AT	15-20	7.30	6.93
<b>MK4 - Screw Fastening</b>												
<b>876-MK4-1A66B-500W</b>	MK4-1A66B-500W	B	Form A	10 W	200 V	0.5 A	1.25 A	0.5 ms	30 / 27 AT	10-15	4.16	3.95
<b>876-MK4-1B90C-500W</b>	MK4-1B90C-500W	B	Form B	3 W	175 V	.025 A	1.2 A	0.7 ms	35 / 30 AT	15-20	6.60	6.27
<b>876-MK4-1C90C-500W</b>	MK4-1C90C-500W	B	Form C	3 W	175 V	.025 A	1.2 A	0.7 ms	35 / 30 AT	15-20	8.80	8.35
<b>MK6 - PCB Mount</b>												
* <b>876-MK6-10-E</b>	MK6-10-E	C	Form E	10 W	200 V	0.5 A	1.25 A	0.5 ms	30 / 27 AT	25-30	7.04	6.12
<b>876-MK6-4-B</b>	MK6-4-B	C	Form A	10 W	170 V	0.5 A	0.5 A	0.6 ms	30 / 27 AT	10-15	2.48	2.36
<b>876-MK6-6-B</b>	MK6-6-B	C	Form A	10 W	200 V	0.5 A	1.25 A	0.5 ms	30 / 27 AT	10-15	1.52	1.45
<b>876-MK6-7-B</b>	MK6-7-B	C	Form A	10 W	200 V	0.5 A	1.25 A	0.5 ms	30 / 27 AT	10-15	1.44	1.37
<b>MK11 - Screw Thread Enclosure</b>												
<b>876-MK11-1A66B-500W</b>	MK11-1A66B-500W	D	Form A	10 W	200 V	0.5 A	1.25 A	0.5 ms	30 / 27 AT	10-15	9.35	8.88
<b>MK12 - Screw Fastening Holes</b>												
<b>876-MK12-1A66B-500W</b>	MK12-1A66B-500W	E	Form A	10 W	200 V	0.5 A	1.25 A	0.5 ms	30 / 27 AT	10-15	5.86	5.57
<b>MK14 - Cylindrical</b>												
<b>876-MK14-1A66B-200W</b>	MK14-1A66B-200W	F	Form A	10 W	200 V	0.5 A	1.25 A	0.5 ms	30 / 27 AT	10-15	5.65	5.36
<b>MK15 - Surface Mount</b>												
<b>876-MK15-B-2</b>	MK15-B-2	G	Form A	10 W	200 V	0.5 A	1.25 A	0.5 ms	30 / 27 AT	10-15	1.14	1.08
<b>876-MK15-C-2</b>	MK15-C-2	G	Form A	10 W	200 V	0.5 A	1.25 A	0.5 ms	30 / 27 AT	15-20	1.14	1.08
<b>MK16 - Surface Mount</b>												
<b>876-MK16-B-2</b>	MK16-B-2	H	Form A	10 W	200 V	0.5 A	0.5 A	0.6 ms	20 / 18 AT	10-15	1.35	1.28
<b>876-MK16-C-2</b>	MK16-C-2	H	Form A	10 W	200 V	0.5 A	0.5 A	0.6 ms	20 / 18 AT	15-20	1.35	1.28
<b>MK17 - Surface Mount</b>												
* <b>876-MK17-B-2</b>	MK17-B-2	I	Form A	10 W	170 V	0.5 A	0.5 A	0.6 ms	20 / 18 AT	10-15	1.76	1.68
† <b>876-MK17-B-3</b>	MK17-B-3	I	Form A	10 W	170 V	0.5 A	0.5 A	0.6 ms	20 / 18 AT	10-15	2.09	1.98
<b>MK18 - Cylindrical</b>												
<b>876-MK18-B-100W</b>	MK18-B-100W	J	Form A	10 W	200 V	0.5 A	0.5 A	0.6 ms	25 / 22 AT	10-15	6.12	5.81
<b>876-MK18-C-100W</b>	MK18-C-100W	J	Form A	10 W	200 V	0.5 A	0.5 A	0.6 ms	25 / 22 AT	15-20	6.12	5.81
<b>MK20 - Cylindrical</b>												
<b>876-MK20-B-100W</b>	MK20-B-100W	K	Form A	5 W	175 V	0.25 A	0.5 A	0.4 ms	25 / 22 AT	10-15	6.45	6.13

## MEDER SMT MICRO MACHINED REED SENSORS

For quantities of 50 and up, call for quote.

MOUSER STOCK NO.	Meder Part No.	Fig.	Contact Form	Switching Power (max.)	Switching Voltage (max.)	Switching Current (max.)	Carry Current (max.)	Operate Time (incl. bounce)	Magnetic Sensitivity Pull in Range (mm)	Price Each	
										1	25
<b>876-MMS-B-2</b>	MMS-B-2	L	Form A	0.3 W	3.0 V	100 A	100 A	1.0 ms	10-15	16.47	16.20