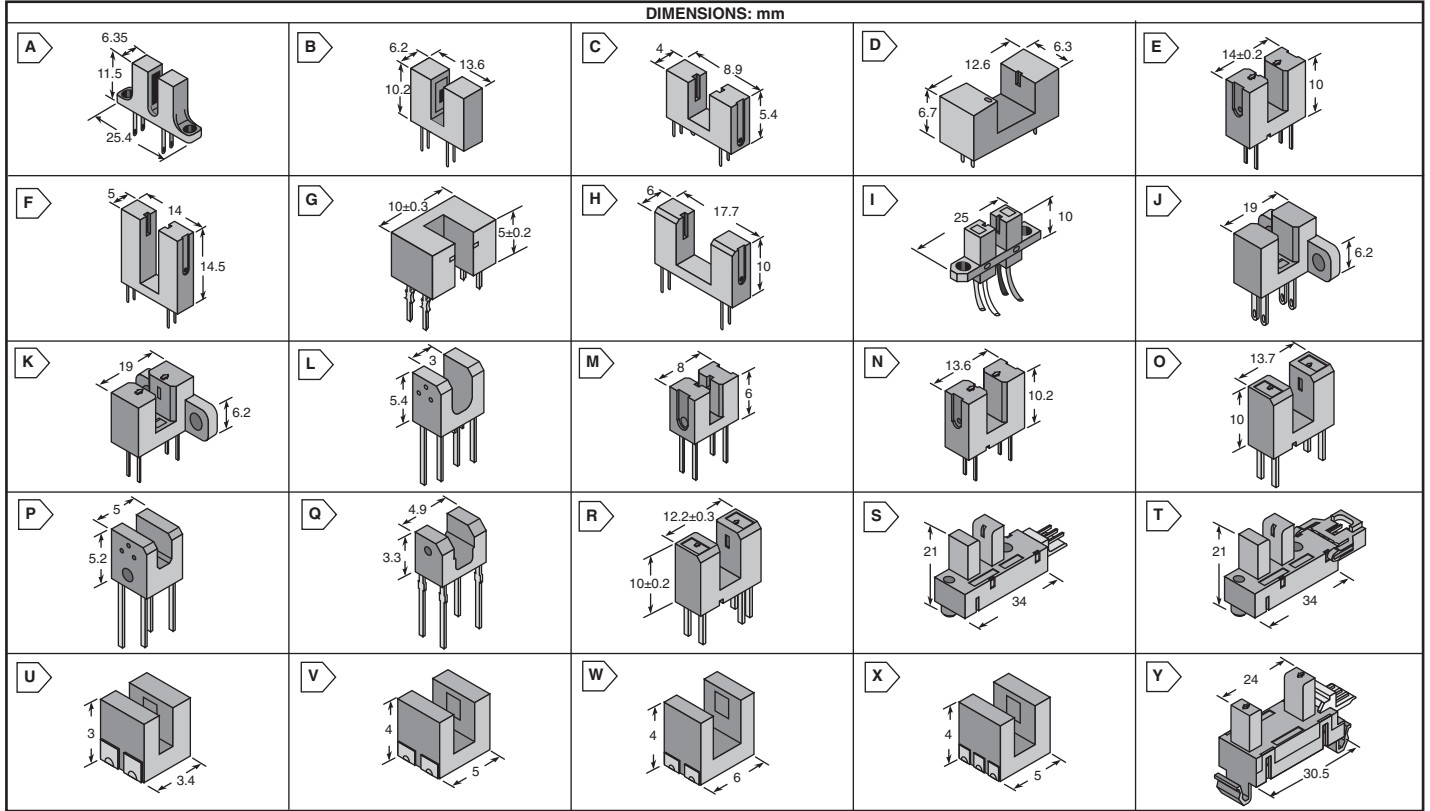


# OMRON Photomicrosensors

RoHS Compliant This product is RoHS compliant.

**OMRON**  
ELECTRONIC COMPONENTS

## DIMENSIONS: mm



- High resolution sensing with 0.5 mm (.02 in.) aperture
- Variety of packages including thru hole, surface mount and lead wire types
- Output models include transistor only, Photo-Darlington, and Schmitt trigger
- Infrared LED and phototransistor assures long life and high reliability
- Non-contact sensing, ideal for office automation, money handling, gaming, and computer peripherals

### Phototransistor:

- Miniaturized transmissive packages as small as 4 x 5mm
- Surface mount, thru-hole, and lead wire models available
- Integrated connector versions available

### Photo IC:

- Schmitt trigger output
- Light On or Dark On outputs
- Integrated connector versions available
- Reflective sensing distances range from 1 to 5 mm

## OMRON TRANSMISSIVE NON-AMPLIFIED PHOTOMICROSENSORS

\* Includes wiring harness



RoHS Compliant

For quantities of 100 and up, call for quote.

MOUSER STOCK NO.	Omron Part No.	Fig.	Output Configuration	Slot Width	Aperture	Termination	Price Each		
							1	25	50
653-EE-SG3	EE-SG3	A	Phototransistor	3.6mm	2mm	Solder terminals	3.58	3.40	3.03
653-EE-SG3-B	EE-SG3-B	A	Phototransistor	3.6mm	2mm	PCB terminals	3.72	3.53	3.15
653-EE-SJ3-D	EE-SJ3-D	B	Phototransistor	3.4mm	0.2mm	PCB terminals	3.30	3.13	2.79
653-EE-SX1025	EE-SX1025	C	Phototransistor	2.8mm	0.5mm	PCB terminals	2.04	1.93	1.73
653-EE-SX1035	EE-SX1035	D	Phototransistor	5.2mm	0.5mm	PCB terminals	1.80	1.75	1.65
653-EE-SX1041	EE-SX1041	E	Phototransistor	5.0mm	0.5mm	Thru-Hole PCB, Straight	1.67	1.58	1.41
653-EE-SX1042	EE-SX1042	F	Phototransistor	5.0mm	0.5mm	PCB terminals	1.41	1.38	1.30
653-EE-SX1046	EE-SX1046	G	Phototransistor	3.0mm	0.5mm	PCB terminals	3.01	2.86	2.55
653-EE-SX1070	EE-SX1070	H	Phototransistor	8.0mm	0.5mm	PCB terminals*	1.54	1.35	1.28
653-EE-SX4070	EE-SX4070	H	Photo-IC Light-On	8.0mm	0.5mm	PCB terminals*	1.81	1.76	1.59
653-EE-SX1088-W1	EE-SX1088-W1	I	Phototransistor	3.4mm	0.5mm	PCB terminals*	6.12	5.82	5.50
653-EE-SV3	EE-SV3	J	Phototransistor	3.4mm	0.5mm	Solder terminals	4.23	4.01	3.58
653-EE-SV3-B	EE-SV3-B	K	Phototransistor	3.4mm	0.5mm	PCB terminals*	3.72	3.53	3.15
653-EE-SX1106	EE-SX1106	L	Phototransistor	3.0mm	0.4mm	PCB terminals*	1.32	1.20	1.07
653-EE-SX1018	EE-SX1018	M	Phototransistor	2.0mm	0.5mm	PCB terminals	1.68	1.64	1.47
653-EE-SX1071	EE-SX1071	N	Phototransistor	3.4mm	0.5mm	PCB terminals	1.62	1.58	1.47
653-EE-SX1081	EE-SX1081	O	Phototransistor	5.0mm	0.5mm	PCB terminals	1.68	1.64	1.47
653-EE-SX1103	EE-SX1103	P	Phototransistor	2.0mm	0.4mm	PCB terminals	1.23	1.20	1.07
653-EE-SX1105	EE-SX1105	Q	Phototransistor	2.0mm	0.4mm	PCB terminals	1.23	1.20	1.07
653-EE-SX398	EE-SX398	R	Photo-IC Dark-On	3.0mm	0.5mm	Thru-Hole PCB, Straight	1.90	1.80	1.64
653-EE-SX3009-P1	EE-SX3009-P1	S	Photo-IC Dark-On	5.0mm	0.5mm	Amp connector #171825-3	4.29	4.06	3.81
653-EE-SX4009-P1	EE-SX4009-P1	S	Photo-IC Light-On	5.0mm	0.5mm	Connector	3.66	3.50	3.12
653-EE-SX4009-P10	EE-SX4009-P10	T	Photo-IC Light-On	5.0mm	0.5mm	Connector	4.64	4.40	3.98
653-EE-SX1107	EE-SX1107	U	Phototransistor	2.0mm	0.15mm	PCB terminals	1.02	1.00	.94
653-EE-SX1108	EE-SX1108	V	Phototransistor	2.0mm	0.3mm	PCB terminals	1.02	1.00	.94
653-EE-SX1109	EE-SX1109	W	Phototransistor	3.0mm	0.5mm	SMT	1.02	1.00	.94
653-EE-SX1131	EE-SX1131	X	Phototransistor, dual channel	2.0mm	0.3mm	PCB terminals	1.02	.99	.94

## OMRON TRANSMISSIVE Slot-Type Non-Amplified PHOTOMICROSENSOR



RoHS Compliant

For quantities of 100 and up, call for quote.

MOUSER STOCK NO.	Omron Part No.	Fig.	Output Configuration	Slot Width	Aperture	Termination	Price Each		
							1	25	50
653-EE-SX461-P11	EE-SX461-P11	Y	Photo-IC Light-On	15mm	2mm	Connector	6.54	5.49	4.75