

# HARWIN PCB Hardware and Metric Spacers

# HARWIN



PRODUCT **NEW**

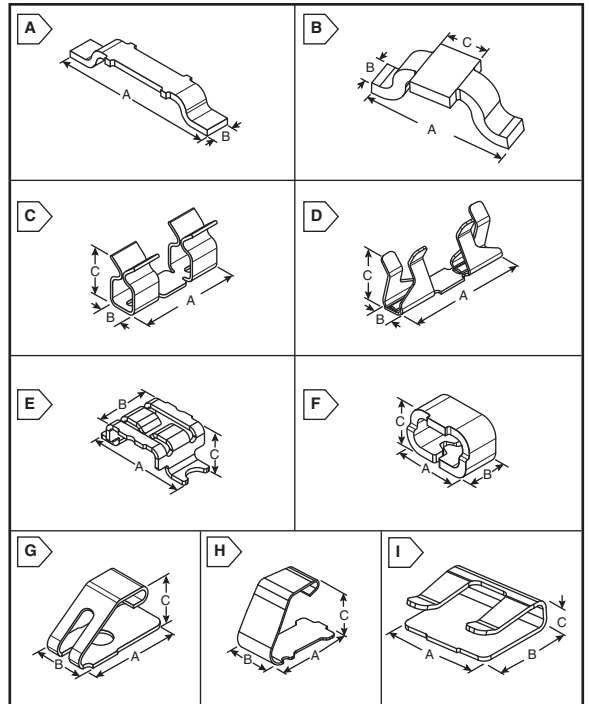
RoHS Compliant This product is RoHS compliant.

DIMENSIONS: mm

For quantities of 50 and up, call for quote.

MOUSER STOCK NO.	Fig.	Description	Dimensions (mm)			Price Each		
			A	B	C	1	10	25
<b>EZ-Links - Replaces 0Ω Resistors or Shorting Wires</b>								
*855-S1621-06R	A	SMT Jumper Link, Tin/Lead, 12.3mm	12.3	1.8±0.15/0	---	.16	.15	.14
855-S1621-46R	A	SMT Jumper Link, Tin, 12.3mm	12.3	1.8±0.15/0	---	.16	.15	.14
855-S1731-46R	B	SMT Jumper Link, Tin, 6.86mm	6.86±.15	1.27	2.0	.19	.18	.17
<b>EZ-Shield Clips - Allows RFI Shield Component Rework without Desoldering</b>								
855-S1411-46R	C	SMT RFI Clip, Maxi, Tin	8.8	2.3	3.5	.20	.19	.16
*855-S1711-06R	C	SMT RFI Clip, Midi, Tin/Lead	8.8	2.3	3.5	.22	.21	.18
855-S1711-46R	C	SMT RFI Clip, Midi, Tin	8.8	2.3	3.5	.22	.21	.18
*855-S1721-06R	D	SMT RFI Clip, Mini, Tin/Lead	5.25	1.07	2.23	.16	.15	.14
855-S1721-46R	D	SMT RFI Clip, Mini, Tin	5.25	1.07	2.23	.16	.15	.14
<b>EZ-Test points</b>								
*855-S1751-06R	E	SMT Test Terminal, Tin/Lead	10.15	6.0 max	3.2	.16	.14	.13
855-S1751-46R	E	SMT Test Terminal, Tin	10.15	6.0 max	3.2	.16	.15	.14
<b>EZ-Fuse Clips - For Mini Blade Fuses</b>								
*855-S1901-06R	F	SMT Fuse Clip, Tin/Lead	3.25	1.65	2.0	.15	.14	.13
<b>EZ-Shield Fingers - RFI Shield Grounding Fingers</b>								
855-S1741-46R	G	RFI Shield Finger, 2.5mm, Tin	5.4	3.1	2.5	.17	.16	.15
855-S1741-42R	H	RFI Shield Finger, 3.5mm Gold + Tin	4.5±.20	2.5±.15	3.5+30/-20	.37	.34	.31
855-S1791-42R	H	RFI Shield Finger, 4.0mm Gold + Tin	4.5±.20	2.5±.15	3.5+30/-20	.37	.34	.31
<b>EZ-Cable Clips</b>								
855-S8101-46R	I	Cable Clip for 1.0mm Cable	5.0	4.0	1.5	.17	.16	.15
855-S8111-46R	I	Cable Clip for 1.0 - 1.5mm Cable	5.0	5.0	2.05	.17	.16	.15
855-S8121-46R	I	Cable Clip for 1.50 - 2.00mm Cable	7.0	5.5	2.55	.16	.15	.14
855-S8131-46R	I	Cable Clip for 2.00 - 3.00mm Cable	10.0	8.0	3.55	.16	.15	.14

\* Non-RoHS Compliant



## METRIC HEX SPACERS

## METRIC CIRCULAR SPACERS

### Threaded-Brass / Nickel

For quantities of 50 and up, call for quote.

MOUSER STOCK NO.	Fig.	Size	A/F	L1 (mm)	L2 (mm)	Price Each		
						1	10	25
<b>Female</b>								
855-R30-1010402	A	M3 X 4mm	5.5	4	---	.34	.318	.298
855-R30-1010702	A	M3 X 7mm	5.5	7	---	.42	.383	.354
855-R30-1010802	A	M3 X 8mm	5.5	8	---	.42	.412	.381
855-R30-1010902	A	M3 X 9mm	5.5	9	---	.42	.412	.381
855-R30-1011002	A	M3 X 10mm	5.5	10	---	.43	.394	.364
855-R30-1011102	A	M3 X 11mm	5.5	11	---	.44	.423	.383
855-R30-1011202	A	M3 X 12mm	5.5	12	---	.44	.419	.38
855-R30-1011302	A	M3 X 13mm	5.5	13	---	.45	.413	.403
855-R30-1011402	A	M3 X 14mm	5.5	14	---	.45	.43	.39
855-R30-1011502	A	M3 X 15mm	5.5	15	---	.46	.439	.39
855-R30-1011602	A	M3 X 16mm	5.5	16	---	.48	.45	.41
855-R30-1011802	A	M3 X 18mm	5.5	18	---	.50	.479	.449
855-R30-1012002	A	M3 X 20mm	5.5	20	---	.60	.562	.531
855-R30-1012502	A	M3 X 25mm	5.5	25	---	.66	.617	.567
<b>Male/Female</b>								
855-R30-3000402	B	M3 X 4mm	5.0	4	6	.38	.359	.339
855-R30-3000502	B	M3 X 5mm	5.0	5	6	.44	.411	.38
855-R30-3000602	B	M3 X 6mm	5.0	6	6	.42	.391	.361
855-R30-3000702	B	M3 X 7mm	5.0	7	6	.46	.431	.40
855-R30-3000802	B	M3 X 8mm	5.0	8	6	.44	.418	.388
855-R30-3000902	B	M3 X 9mm	5.0	9	6	.47	.457	.427
855-R30-3001002	B	M3 X 10mm	5.0	10	6	.47	.447	.417
855-R30-3001102	B	M3 X 11mm	5.0	11	6	.52	.49	.439
855-R30-3001202	B	M3 X 12mm	5.0	12	6	.49	.464	.444
855-R30-3001302	B	M3 X 13mm	5.0	13	6	.56	.499	.468
855-R30-3001402	B	M3 X 14mm	5.0	14	6	.54	.497	.467
855-R30-3001502	B	M3 X 15mm	5.0	15	6	.57	.526	.495
855-R30-3001602	B	M3 X 16mm	5.0	16	6	.57	.516	.476
855-R30-3001802	B	M3 X 18mm	5.0	18	6	.58	.555	.506
855-R30-3001902	B	M3 X 19mm	5.0	19	6	.65	.604	.574
855-R30-3002002	B	M3 X 20mm	5.0	20	6	.65	.617	.576
855-R30-3002402	B	M3 X 24mm	5.0	24	6	.65	.618	.579
855-R30-3002502	B	M3 X 25mm	5.0	25	6	.73	.676	.636
855-R30-3003002	B	M3 X 30mm	5.0	30	6	.80	.747	.697
855-R40-3000602	B	M4 X 6mm	7.0	6	8	.50	.458	.425
855-R40-3000702	B	M4 X 7mm	7.0	7	8	.51	.466	.433
855-R40-3000802	B	M4 X 8mm	7.0	8	8	.53	.50	.462
855-R40-3000902	B	M4 X 9mm	7.0	9	8	.56	.538	.494
855-R40-3001002	B	M4 X 10mm	7.0	10	8	.60	.568	.524
855-R40-3001102	B	M4 X 11mm	7.0	11	8	.61	.57	.528
855-R40-3001202	B	M4 X 12mm	7.0	12	8	.65	.604	.559
855-R40-3001302	B	M4 X 13mm	7.0	13	8	.62	.584	.551
855-R40-3001402	B	M4 X 14mm	7.0	14	8	.65	.61	.581
855-R40-3001502	B	M4 X 15mm	7.0	15	8	.72	.66	.619
855-R40-3001602	B	M4 X 16mm	7.0	16	8	.73	.67	.627
855-R40-3001802	B	M4 X 18mm	7.0	18	8	.75	.70	.65
855-R40-3002002	B	M4 X 20mm	7.0	20	8	.83	.78	.718
855-R40-3002502	B	M4 X 25mm	7.0	25	8	.72	.66	.63
855-R40-3003002	B	M4 X 30mm	7.0	30	8	1.07	.991	.935

### Clearance Type

For quantities of 50 and up, call for quote.

MOUSER STOCK NO.	Fig.	Size	O/D (mm)	L1 (mm)	Price Each		
					1	10	25
<b>Brass/Nickel</b>							
855-R30-6010202	C	M3 X 2mm	4.75	2	.50	.46	.416
855-R30-6010302	C	M3 X 3mm	4.75	3	.35	.34	.32
855-R30-6010402	C	M3 X 4mm	4.75	4	.36	.34	.32
855-R30-6010502	C	M3 X 5mm	4.75	5	.49	.477	.443
855-R30-6010602	C	M3 X 6mm	4.75	6	.50	.45	.433
855-R30-6010702	C	M3 X 7mm	4.75	7	.53	.50	.454
855-R30-6010802	C	M3 X 8mm	4.75	8	.56	.51	.481
855-R30-6010902	C	M3 X 9mm	4.75	9	.56	.51	.497
855-R30-6011002	C	M3 X 10mm	4.75	10	.68	.65	.588
855-R30-6011102	C	M3 X 11mm	4.75	11	.69	.628	.611
855-R30-6011202	C	M3 X 12mm	4.75	12	.68	.621	.605
855-R30-6011302	C	M3 X 13mm	4.75	13	.74	.695	.627
855-R30-6011402	C	M3 X 14mm	4.75	14	.75	.70	.632
855-R30-6011502	C	M3 X 15mm	4.75	15	.79	.723	.689
855-R30-6012202	C	M3 X 22mm	4.75	22	1.15	1.08	.996
855-R30-6013002	C	M3 X 30mm	4.75	30	.73	.684	.623
855-R40-6000302	C	M4 X 3mm	6.35	3	.34	.32	.301
855-R40-6000402	C	M4 X 4mm	6.35	4	.36	.336	.316
855-R40-6000502	C	M4 X 5mm	6.35	5	.34	.313	.294
855-R40-6000602	C	M4 X 6mm	6.35	6	.40	.381	.35
855-R40-6000702	C	M4 X 7mm	6.35	7	.40	.373	.353
855-R40-6000802	C	M4 X 8mm	6.35	8	.41	.388	.349
855-R40-6000902	C	M4 X 9mm	6.35	9	.42	.406	.376
855-R40-6001002	C	M4 X 10mm	6.35	10	.42	.395	.355
855-R40-6001102	C	M4 X 11mm	6.35	11	.42	.391	.372
855-R40-6001202	C	M4 X 12mm	6.35	12	.40	.388	.359
855-R40-6001302	C	M4 X 13mm	6.35	13	.44	.424	.395
855-R40-6001402	C	M4 X 14mm	6.35	14	.48	.457	.417
855-R40-6001802	C	M4 X 18mm	6.35	18	.68	.632	.573
855-R40-6002002	C	M4 X 20mm	6.35	20	.77	.726	.677
855-R40-6002502	C	M4 X 25mm	6.35	25	.94	.879	.809
<b>Nylon 66</b>							
855-R30-6700394	C	M3 X 3mm	5	3	.16	.15	.14
855-R30-6700494	C	M3 X 4mm	5	4	.27	.264	.235
855-R30-6700594	C	M3 X 5mm	5	5	.15	.149	.139
855-R30-6700694	C	M3 X 6mm	5	6	.28	.261	.241
855-R30-6700794	C	M3 X 7mm	5	7	.30	.282	.253
855-R30-6700894	C	M3 X 8mm	5	8	.16	.15	.14
855-R30-6700994	C	M3 X 9mm	5	9	.30	.289	.269
855-R30-6701094	C	M3 X 10mm	5	10	.18	.169	.159
855-R30-6701194	C	M3 X 11mm	5	11	.34	.316	.295
855-R30-6701294	C	M3 X 12mm	5	12	.32	.29	.26
855-R30-6701394	C	M3 X 13mm	5	13	.35	.328	.299
855-R30-6701494	C	M3 X 14mm	5	14	.36	.344	.323
855-R30-6701594	C	M3 X 15mm	5	15	.22	.209	.179
855-R30-6701694	C	M3 X 16mm	5	16	.40	.381	.339
855-R30-6702094	C	M3 X 20mm	5	20	.41	.382	.363
855-R30-6702594	C	M3 X 25mm	5	25	.43	.408	.368

