

PHOENIX CONTACT DIN Rail Circuit Breakers



THERMO MAGNETIC CIRCUIT BREAKERS

UT 6-TMC M Thermo Magnetic Circuit Breaker - Pushbutton Type

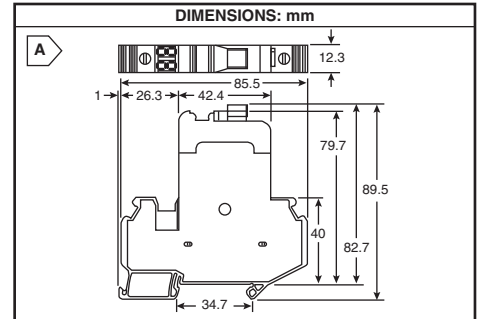
- Features:**
- Resettable
 - Button Switch
 - Space saving, compact design
 - Large labeling area

- Specifications:**
- Housing Width: 12.5mm
 - Single-pole



For quantities of 25 and up, call for quote.

MOUSER STOCK NO.	Fig.	Phoenix Type	Nominal Current	Max Voltage	Operating Temperature	Price Each		
						1	5	10
651-0916603	A	UT 6-TMC M 0.5A	.5A	240VAC/28VDC	-30° to 60°C	15.83	14.19	13.50
651-0916604	A	UT 6-TMC M 1A	1A	240VAC/28VDC	-30° to 60°C	15.83	14.19	13.50
651-0916605	A	UT 6-TMC M 2A	2A	240VAC/28VDC	-30° to 60°C	15.83	14.19	13.50
651-0916606	A	UT 6-TMC M 4A	4A	240VAC/28VDC	-30° to 60°C	15.83	14.19	13.50
651-0916607	A	UT 6-TMC M 5A	5A	240VAC/28VDC	-30° to 60°C	15.83	14.19	13.50
651-0916608	A	UT 6-TMC M 6A	6A	240VAC/28VDC	-30° to 60°C	15.83	14.19	13.50
651-0916609	A	UT 6-TMC M 8A	8A	240VAC/28VDC	-30° to 60°C	13.67	12.53	11.59
651-0916610	A	UT 6-TMC M 10A	10A	240VAC/28VDC	-30° to 60°C	13.67	12.53	11.59
651-0916611	A	UT 6-TMC M 12A	12A	240VAC/28VDC	-30° to 60°C	13.67	12.53	11.59
651-0916612	A	UT 6-TMC M 15A	15A	240VAC/28VDC	-30° to 60°C	13.67	12.53	11.59
651-0916613	A	UT 6-TMC M 16A	16A	240VAC/28VDC	-30° to 60°C	13.67	12.53	11.59



TMC1 Thermo Magnetic Circuit Breaker - Switch Type

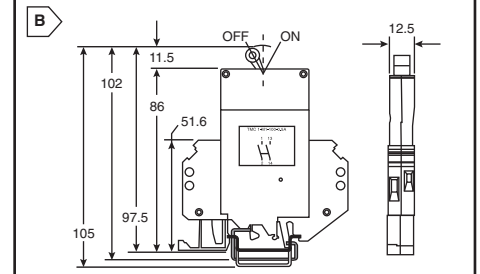
- Features:**
- Direct DIN Rail Mount (Universal Mounting Foot)
 - 1-Position main current path with 1 N/O status contact
 - Screw Clamp Connection

- Specifications:**
- Housing Width: 12.5mm
 - AWG: 24-10
 - Typical Life: 10,000 Operations
 - Color: Black



For quantities of 25 and up, call for quote.

MOUSER STOCK NO.	Fig.	Phoenix Type	Nominal Current	Max Voltage	Operating Temperature	Price Each		
						1	5	10
651-0914400	B	TMC 1 M1 100 0.5A	.5A	250VAC/ 65VDC	-10° to 60°C	60.35	56.52	53.95
651-0914439	B	TMC 1 M1 100 1.0A	1A	250VAC/ 65VDC	-10° to 60°C	60.35	56.52	53.95
651-0914455	B	TMC 1 M1 100 2.0A	2A	250VAC/ 65VDC	-10° to 60°C	60.35	56.52	53.95
651-0914497	B	TMC 1 M1 100 5.0A	5A	250VAC/ 65VDC	-10° to 60°C	60.35	56.52	53.95
651-0914523	B	TMC 1 M1 100 10.0A	10A	250VAC/ 65VDC	-10° to 60°C	60.35	56.52	53.95
651-0915473	B	TMC 1 M1 100 15.0A	15A	250VAC/ 65VDC	-10° to 60°C	60.35	56.52	53.95



TMC42 Thermo Magnetic Circuit Breaker - Pushbutton Type

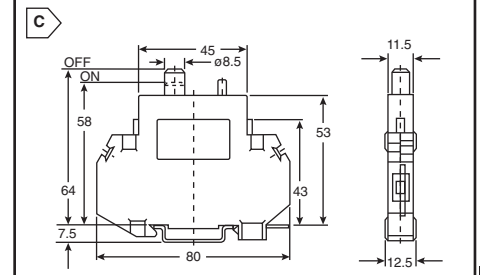
- Features:**
- Direct DIN Rail Mount (Universal Mounting Foot)
 - Screw Clamp Connection

- Specifications:**
- Housing Width: 12.5mm
 - AWG: 24-10
 - Typical Life: 5000 Operations
 - Color: Black



For quantities of 25 and up, call for quote.

MOUSER STOCK NO.	Fig.	Phoenix Type	Nominal Current	Max Voltage	Operating Temperature	Price Each		
						1	5	10
651-5650108	C	TMC 42-01-1.0A	1A	250VAC/ 80VDC	-10° to 60°C	40.23	37.68	35.97
651-5600314	C	TMC 42-01-2.0A	2A	250VAC/ 80VDC	-10° to 60°C	40.23	37.68	35.97
651-5531082	C	TMC 42-01-5.0A	5A	250VAC/ 80VDC	-10° to 60°C	40.23	37.68	35.97
651-5650121	C	TMC 42-01-10A	10A	250VAC/ 80VDC	-10° to 60°C	40.23	37.68	35.97
651-5600310	C	TMC 42-01-15A	15A	250VAC/ 80VDC	-10° to 60°C	40.23	37.68	35.97



THERMAL MINIATURE CIRCUIT BREAKERS, TCP

TCP Pushbutton Circuit Breakers

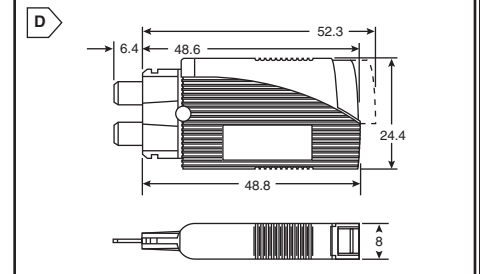
- Features:**
- Can be switched back on after tripping
 - Can be used for switching purposes
 - Plugs into DIN Rail terminal blocks (listed below)
 - Values can be swapped quickly for testing
 - No searching for replacement fuses
 - Pluggable Circuit Breakers

- Specifications:**
- Rated Surge Voltage: 2.5 kV
 - Max Amperage: 0.25-4A Types is 6x Rated Current
6-10A Types is 8x Rated Current
 - Contamination Class: 2
 - Color: Black



For quantities of 25 and up, call for quote.

MOUSER STOCK NO.	Fig.	Phoenix Type	Nominal Current	Nominal Voltage	Operating Temperature	Price Each		
						1	5	10
651-0712152	D	TCP 0.5	.5A	250VAC/ 65VDC	-20° to 60°C	11.91	11.15	10.65
651-0712194	D	TCP 1	1A	250VAC/ 65VDC	-20° to 60°C	11.91	11.15	10.65
651-0712217	D	TCP 2	2A	250VAC/ 65VDC	-20° to 60°C	11.91	11.15	10.65
651-0712233	D	TCP 3	3A	250VAC/ 65VDC	-20° to 60°C	11.91	11.15	10.65
651-0712259	D	TCP 4	4A	250VAC/ 65VDC	-20° to 60°C	11.91	11.15	10.65
651-0712275	D	TCP 6	6A	250VAC/ 65VDC	-20° to 60°C	11.91	11.15	10.65
651-0712314	D	TCP 10	10A	250VAC/ 65VDC	-20° to 60°C	11.91	11.15	10.65



TCP Terminal Blocks

- Features:**
- Mounts to standard 35mm DIN Rails
 - Use with TCP push button circuit breakers
 - Can be used with Automotive Type Fuses
 - Bridgeable

- Specifications:**
- Color: Black
 - Max Current: 30A
 - Max Voltage: 300V



For quantities of 25 and up, call for quote.

MOUSER STOCK NO.	Fig.	Phoenix Type	Terminal Width	Connection Type	AWG	Price Each		
						1	5	10
651-3118203	E	UK 6-FSI/C	8.2mm	Screw-Clamp	26-8	7.15	6.70	6.39
651-3036372	F	ST 4-FSI/C	8.2mm	Spring-Cage	24-10	4.43	4.15	3.96
651-1052002	-	ZB 8:Unprinted		White Unprinted Labels (1 strip of 10)		1.03	.92	.87

