

# Step Motors and Drives

## APPLIED MOTION ST STEPPER DRIVES

A performance step drive with advanced current control, anti-resonance, torque ripple smoothing and microstep emulation.  
 • Microstep resolution: 200 - 51,200 steps per revolution.



### Specifications for S Series:

- Pulse & Direction
- CW/CCW Pulse
- A/B Quadrature
- Velocity (Oscillator) mode
- Host commands (SCL compatible)
- SiNet Hub compatible
- ST Configurator software for setup

### Specifications for Si Series:

- Stand-alone Operation
- Q Programmer for complex motion
- Conditional Processing
- Math Functions
- Multi-tasking
- Register Manipulation
- Encoder Following
- "Generic" HMI compatibility

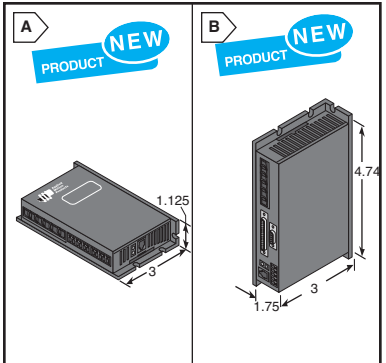
### Protection:

- Over-Voltage
- Under-Voltage
- Over-Temp
- Motor Shorts
- Motor Open Phase

Recommended Stepper Motors for ST5: HT17-068, HT17-071, HT23-394 or HT23-401  
 Recommended Stepper Motors for ST10: HT34-485, HT34-486, or HT34-487

For quantities of 5 and up, call for quote.

MOUSER STOCK NO.	Applied Motion Part No.	Fig.	Current Control at 20 KHz	Power Supply Required	Input Voltage (VDC)	Output Current in 0.01 Amp Increments	Price Each
<a href="#">834-ST5-S</a>	ST5-S-NN	A	4 state PWM	External 24-48VDC	18 - 53	0.1 - 5.0 amps	<b>295.00</b>
<a href="#">834-ST5-SI</a>	ST5-SI-NN	B	4 state PWM	External 24-48VDC	18 - 53	0.1 - 5.0 amps	<b>450.00</b>
<a href="#">834-ST10-S-NN</a>	ST10-S-NN	A	4 state PWM	External 24-80VDC	18 - 88	0.1 - 10.0 amps	<b>391.05</b>
<a href="#">834-ST10-SI-NN</a>	ST10-SI-NN	B	4 state PWM	External 24-80VDC	18 - 88	0.1 - 10.0 amps	<b>544.50</b>



## APPLIED MOTION STM SERIES: INTEGRATED MOTORS

The STM is a drive + motor unit, fusing step motor and drive technologies into a single device, offering savings on space, wiring and cost over conventional motor and drive solutions.

### Protection:

- Over-Voltage
- Under-Voltage
- Over-Temp
- Motor Shorts
- Motor Open Phase

### Specifications for S Series:

- Pulse & Direction
- CW/CCW Pulse
- A/B Quadrature
- Velocity (Oscillator) mode
- Host commands (SCL compatible)
- SiNet Hub compatible
- ST Configurator software for setup
- Microstep Resolution: 200 - 51,200 Steps

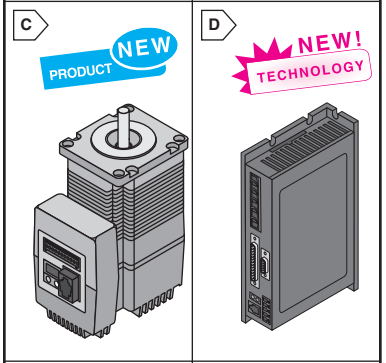
### Features:

- Dynamic Current Control
- Anti-Resonance
- Torque Ripple Smoothing
- Microstep Emulation



For quantities of 5 and up, call for quote.

MOUSER STOCK NO.	Applied Motion Part No.	Fig.	Output Torque	Communication Interface	Input Voltage (VDC)	Dimensions (mm) "L"	Price Each
<a href="#">834-STM23S-2AN</a>	STM23S-2AN	C	125 oz-in max	RS-232	12 - 70VDC	92.4	<b>295.35</b>
<a href="#">834-STM23S-3AN</a>	STM23S-3AN	C	210 oz-in max	RS-232	12 - 70VDC	114.4	<b>338.25</b>



## APPLIED MOTION SV SERIES: SERVO DRIVES AND MOTORS

A compact Servo drive with 3 Control options.

### Protection:

- Over-Voltage
- Under-Voltage
- Over-Temp
- Motor Shorts
- Motor Open Phase

### Specifications for S Series:

- Pulse & Direction
- CW/CCW Pulse
- A/B Quadrature
- Velocity (Oscillator) mode
- Analog +/-10V
- ASCII streaming host commands (SCL)
- SiNet Hub compatible

- QuickTuner software for setup
- Si Programmer with built-in QuickTuner
- Point-and-click indexing software
- User friendly GUI
- I/O and motion programming
- MMI-01 compatibility

### Features:

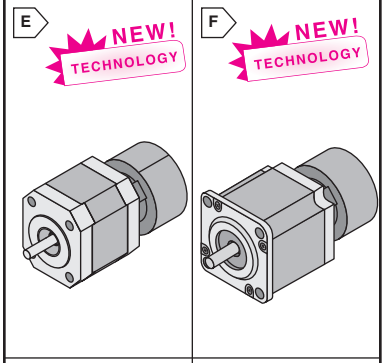
- Digital Servo Control
- Advanced Current Control
- Flexible Control Options
- Programmable Versions



For quantities of 5 and up, call for quote.

### Servo Drives

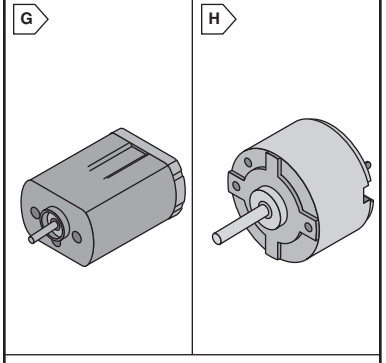
MOUSER STOCK NO.	Applied Motion Part No.	Fig.	Control Type	Input Voltage (VDC)	Output Current	Price Each
<a href="#">834-SV7-S-AE</a>	SV7-S-AE	D	Step & Direction	24-80	7.0A rms cont, 14.0A rms peak	<b>391.05</b>
<a href="#">834-SV7-SI-AE</a>	SV7-SI-AE	D	Programmable	24-80	7.0A rms cont, 14.0A rms peak	<b>589.05</b>



### Servo Motors

For quantities of 5 and up, call for quote.

MOUSER STOCK NO.	Applied Motion Part No.	Fig.	Dimensions (mm) Length	NEMA	Rated Output (PR)	Rated Speed	Input Voltage (VDC)	Price Each
<a href="#">834-V0050-214-A-000</a>	V0050-214-A-000	E	45	17	50W	5000 RPM	48	<b>316.80</b>
<a href="#">834-V0250-214-B-000</a>	V0250-214-B-000	F	104	23	200W	3350 RPM	48	<b>455.40</b>



## AUTOTROL DC MOTORS

### Applications:

- Optical Equipment
- Monitoring Cameras
- Door Locks
- Fiber Optic Equipment

- HVAC Controls
- Incubators
- Point of Purchase Displays
- RV Roof Vent Actuators

### Specifications:

- Shaft Diameter: 2.0 mm



For quantities of 50 and up, call for quote.

MOUSER STOCK NO.	Autotrol Part No.	Fig.	Rated Voltage (VDC)	Rated Torque (mNm)	Rated Current (mA)	Rated Speed (RPM)	Motor Diameter (mm)	Motor Length (mm)	Shaft Length (mm)	Price Each			
										1	5	10	25
<b>Size 24mm</b>													
<a href="#">708-052-0075AD</a>	052-0075AD	G	12	0.08	200	4250	24.2	30.5	6.8	<b>30.32</b>	<b>26.93</b>	<b>25.94</b>	<b>25.14</b>
<b>Size 32mm</b>													
<a href="#">708-052-0010AD</a>	052-0010AD	H	12	0.06	200	3900	32	20.5	11	<b>32.66</b>	<b>29.01</b>	<b>27.94</b>	<b>27.08</b>
<b>Size 36mm</b>													
<a href="#">708-052-4964AD</a>	052-4964AD	I	12	0.02	70	3500	35.8	28	6	<b>41.58</b>	<b>37.70</b>	<b>35.18</b>	<b>34.52</b>
<a href="#">708-052-4707AD</a>	052-4707AD	I	6	0.02	70	1800	35.8	28	6	<b>53.25</b>	<b>47.29</b>	<b>45.54</b>	<b>44.14</b>
<a href="#">708-052-4742AD</a>	052-4742AD	I	24	0.02	50	4000	35.8	28	6	<b>53.25</b>	<b>47.29</b>	<b>45.54</b>	<b>44.14</b>
<a href="#">708-052-1674AD</a>	052-1674AD	I	6	0.02	80	2200	36	28	6.2	<b>44.05</b>	<b>39.12</b>	<b>37.67</b>	<b>36.51</b>
<a href="#">708-052-1869AD</a>	052-1869AD	I	12	0.02	80	3700	36	26	6.2	<b>49.48</b>	<b>43.94</b>	<b>42.32</b>	<b>41.01</b>

