

I/O MODULES

Specifications:

- Form: SPST-NO
- *** Zero voltage turn-on output

Features:

- Color coded by function



For quantities of 200 and up, call for quote.

MOUSER STOCK NO.	P&B Part No.	Fig.	Case Color	Function	Input Voltage	Output	Price Each			
							1	25	50	100
Slim-Line Modules										
655-IACM-5	IACM-5	A	Yellow case	AC input	90-140VAC/VDC	5VDC	11.90	11.19	10.45	10.00
655-IDCM-5	IDCM-5	A	White case	DC input	3.3-32VDC	5VDC	12.16	10.63	10.01	9.54
*** 655-OACM-5	OACM-5	A	Black case	AC output	5VDC	3A, 24-280VAC	12.82	11.20	10.41	9.29
*** 655-OACM-5H	OACM-5H	A	Black case	AC output	5VDC	5A, 24-280VAC	13.54	12.89	12.16	11.11
*** 655-OACM-UH	OACM-UH	A	Black case	AC output	3-15VDC	5A, 24-280VAC	14.34	13.40	12.74	11.68
655-ODCM-5	ODCM-5	A	Red case	DC output	5VDC	3A, 3-60VDC	11.00	10.05	9.45	9.05
Standard Modules										
655-IAC-5	IAC-5	B	Yellow case	AC input	90-140VAC/VDC	5VDC	13.56	12.89	12.03	9.28
655-IAC-15	IAC-15	B	Yellow case	AC input	90-140VAC/VDC	15VDC	11.83	10.81	10.05	9.55
*** 655-IDC-5	IDC-5	B	White case	DC input	3.3-32VDC	5VDC	12.29	11.18	10.56	9.27
655-OAC-5	OAC-5	B	Black case	AC output	5VDC	3A, 24-280VAC	12.29	11.18	10.57	9.27
*** 655-OAC-5A	OAC-5A	B	Black case	AC output	5VDC	3A, 24-280VAC	12.29	11.18	10.57	9.27
*** 655-OAC-15	OAC-15	B	Black case	AC output	15VDC	3A, 24-280VAC	12.97	11.44	10.80	10.09
655-OAC-5H	OAC-5H	B	Black case	AC output	5VDC	5A, 24-280VAC	14.34	13.49	12.75	11.21
655-ODC-5	ODC-5	B	Red case	DC output	5VDC	3A, 3-60VDC	12.29	11.52	10.85	9.21
655-ODC-24	ODC-24	B	Red case	DC output	24VDC	3A, 3-60VDC	12.23	11.30	10.72	9.76

SSR SERIES: "HOCKEY PUCK" SOLID STATE RELAYS WITH PAIRED SCR OUTPUT

Specifications:

- Form: SPST-NO
- Inverse parallel SCR output

Features:

- LED Indicator
- Floating terminal design



For quantities of 100 and up, call for quote.

MOUSER STOCK NO.	P&B Part No.	Fig.	Input Voltage	Line Voltage	Maximum Output*	Options	Price Each			
							1	10	25	50
AC Input										
655-SSR-240A25	SSR-240A25	C	90-280VAC	24-240VAC	.1-25 A rms	Zero voltage turn-on	49.88	43.72	42.98	39.02
655-SSR-240A50	SSR-240A50	C	90-280VAC	24-240VAC	.1-50 A rms	Zero voltage turn-on	67.83	58.48	54.30	47.02
DC Input										
655-SSR-240D25	SSR-240D25	C	3-32VDC	24-240VAC	.1-25 A rms	Zero voltage turn-on	38.64	35.30	32.51	29.81
655-SSR-240D25R	SSR-240D25R	C	3-32VDC	24-240VAC	.1-25 A rms	Random turn-on	39.08	35.81	33.78	31.28
655-SSR-240D50	SSR-240D50	C	3-32VDC	24-240VAC	.1-50 A rms	Zero voltage turn-on	52.11	44.16	42.01	39.95
655-SSR-480D125	SSR-480D125	C	3-32VDC	48-660VAC	.1-125 A rms	Zero voltage turn-on	74.15	70.29	65.25	63.64

SSRT SERIES: "HOCKEY PUCK" SOLID STATE RELAYS WITH SNUBBERLESS TRIAC OUTPUT

Specifications:

- Form: SPST-NO
- Low cost snubberless triac outputs

Features:

- LED Indicator
- Floating terminal design



For quantities of 100 and up, call for quote.

MOUSER STOCK NO.	P&B Part No.	Fig.	Input Voltage	Line Voltage	Maximum Output*	Input Current (max.)	Price Each			
							1	10	25	50
AC Input										
655-SSRT-240A10	SSRT-240A10	C	90-280VAC linear	24-280VAC	.1-10 A rms	8.5mA	30.98	28.42	26.78	24.80
DC Input										
655-SSRT-240D10	SSRT-240D10	C	3-32VDC constant current	24-280VAC	.1-10 A rms	14mA	27.76	25.44	24.00	22.22
655-SSRT-240D25	SSRT-240D25	C	3-32VDC constant current	24-280VAC	.1-25 A rms	14mA	33.42	30.63	28.26	26.28

SSRD SERIES: DUAL AC OUTPUT "HOCKEY PUCK" SOLID STATE RELAYS WITH PAIRED SCR OUTPUTS

Specifications:

- Form: 2 SPST-NO
- Inverse parallel SCR outputs

Features:

- Two independent AC output solid state relays in one standard package
- Quick connect style terminals



For quantities of 100 and up, call for quote.

MOUSER STOCK NO.	P&B Part No.	Fig.	Input Voltage	Line Voltage	Maximum Output*	Options	Price Each			
							1	10	25	50
655-SSRD-240D25	SSRD-240D25	D	4-15VDC	24-280VAC	.1-25 A rms	Zero voltage turn-on	73.95	67.77	63.93	59.19
655-SSRD-240D25R	SSRD-240D25R	D	4-15VDC	24-280VAC	.1-25 A rms	Random turn-on (both outputs)	86.43	77.65	71.64	69.50
655-SSRD-240D40	SSRD-240D40	D	4-15VDC	24-280VAC	.1-40 A rms	Zero voltage turn-on	99.69	91.30	84.37	78.33

SSRQ SERIES: QUAD AC OUTPUT "HOCKEY PUCK" SOLID STATE RELAY WITH TRIAC OUTPUTS

Specifications:

- Form: 4 SPST-NO
- Triac outputs

Features:

- Four independent AC output solid state relays in one standard package
- Quick connect style terminals

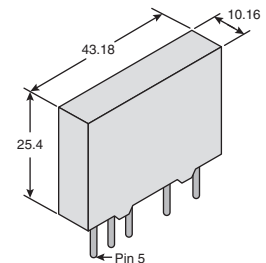


For quantities of 100 and up, call for quote.

MOUSER STOCK NO.	P&B Part No.	Fig.	Input Voltage	Line Voltage	Maximum Output*	Options	Price Each			
							1	10	25	50
655-SSRQ-240D20	SSRQ-240D20	E	4-15VDC	24-280VAC	- - -	Zero voltage turn-on	109.70	97.52	92.38	83.53

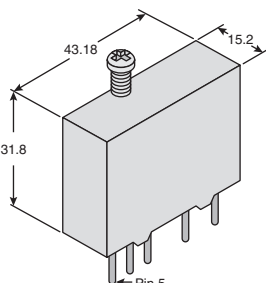
DIMENSIONS: mm

A



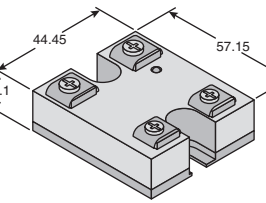
Pin 5 is not present on Output Modules

B

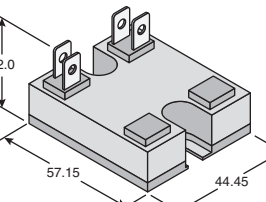


Pin 5 is not present on Output Modules

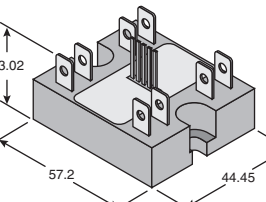
C



D



E



Potter & Brumfield

Solid State Relays