

# PANASONIC Low Signal Relays

**Panasonic**

Panasonic Electric Works Corporation of America



This product is RoHS compliant.

Panasonic signal relays are RoHS compliant and offer high-reliability and space-saving solutions for today's applications in telecom, WiFi, handheld devices, instrumentation, and ATE. Panasonic is the leading provider of signal relays in North America (VDC 2004).

## DS SERIES

### Features:

- Bifurcated contacts are standard
- High switching capacity: 60W, 125VA
- High sensitivity 1500V FCC surge withstanding

### Applications:

- Office equipment
- Security equipment
- Telecommunication equipment

RoHS Compliant

For quantities of 250 and up, call for quote.

MOUSER STOCK NO.	Panasonic Part No.	Fig.	Current Rating (A)	Voltage (VDC)	Contact Arrangement	Mounting Type	Price Each			
							1	25	50	100
<b>Non-Latching</b>										
769-DS1E-S-DC3V	DS1E-S-DC3V	A1	2	3	1 Form C	PCB	7.61	6.97	6.22	5.29
769-DS1E-SL-DC12V	DS1E-SL-DC12V	A2	2	12	1 Form C	PCB	8.49	7.77	6.94	5.90
769-DS1E-SL-DC24V	DS1E-SL-DC24V	A2	2	24	1 Form C	PCB	8.49	7.77	6.94	5.90
769-DS1E-SL-DC3V	DS1E-SL-DC3V	A2	2	3	1 Form C	PCB	8.46	7.75	6.92	5.88
769-DS1E-SL-DC5V	DS1E-SL-DC5V	A2	2	5	1 Form C	PCB	8.46	7.75	6.92	5.88
769-DS2E-S-DC1.5V	DS2E-S-DC1.5V	A2	2	1.5	2 Form C	PCB	4.67	4.28	3.82	3.25
769-DS2E-S-DC48V-TB	DS2E-S-DC48V-TB	A2	2	---	2 Form C	PCB	6.34	5.83	5.18	4.40
769-DS1E-M-DC12V	DS1E-M-DC12V	A1	2	12	1 Form C	PCB	5.39	4.95	4.40	3.74
769-DS1E-M-DC24V	DS1E-M-DC24V	A1	2	24	1 Form C	PCB	5.39	4.95	4.40	3.74
769-DS1E-M-DC3V	DS1E-M-DC3V	A1	2	3	1 Form C	PCB	5.38	4.93	4.40	3.74
769-DS1E-M-DC48V	DS1E-M-DC48V	A1	2	48	1 Form C	PCB	6.87	6.29	5.62	4.78
769-DS1E-M-DC5V	DS1E-M-DC5V	A1	2	5	1 Form C	PCB	5.39	4.95	4.40	3.74
769-DS1E-M-DC9V	DS1E-M-DC9V	A1	2	9	1 Form C	PCB	5.39	4.95	4.40	3.74
769-DS1E-S-DC12V	DS1E-S-DC12V	A1	2	12	1 Form C	PCB	7.61	7.00	6.22	5.28
769-DS1E-S-DC24V	DS1E-S-DC24V	A1	2	24	1 Form C	PCB	7.61	7.00	6.22	5.28
769-DS1E-S-DC48V	DS1E-S-DC48V	A1	2	48	1 Form C	PCB	10.03	9.18	8.20	6.97
769-DS1E-S-DC5V	DS1E-S-DC5V	A1	2	5	1 Form C	PCB	7.61	7.00	6.22	5.28
769-DS1E-S-DC6V	DS1E-S-DC6V	A1	2	6	1 Form C	PCB	7.61	7.00	6.22	5.28
769-DS1E-S-DC9V	DS1E-S-DC9V	A1	2	9	1 Form C	PCB	7.61	6.97	6.22	5.29
769-DS2E-M-DC12V	DS2E-M-DC12V	A2	2	12	2 Form C	PCB	3.33	3.18	2.83	2.40
769-DS2E-M-DC12V-R	DS2E-M-DC12V-R	A2	2	12	2 Form C	PCB	3.47	3.18	2.83	2.40
769-DS2E-M-DC24V	DS2E-M-DC24V	A2	2	24	2 Form C	PCB	3.33	3.18	2.83	2.40
769-DS2E-M-DC3V	DS2E-M-DC3V	A2	2	3	2 Form C	PCB	3.47	3.18	2.83	2.40
769-DS2E-M-DC48V	DS2E-M-DC48V	A2	2	48	2 Form C	PCB	4.70	4.32	3.84	3.26
769-DS2E-M-DC5V	DS2E-M-DC5V	A2	2	5	2 Form C	PCB	3.33	3.18	2.83	2.40
769-DS2E-M-DC9V	DS2E-M-DC9V	A2	2	9	2 Form C	PCB	3.75	3.45	3.06	2.60
769-DS2E-S-DC12V	DS2E-S-DC12V	A2	2	12	2 Form C	PCB	4.16	3.95	3.50	2.98
769-DS2E-S-DC24V	DS2E-S-DC24V	A2	2	24	2 Form C	PCB	4.16	3.95	3.50	2.98
769-DS2E-S-DC3V	DS2E-S-DC3V	A2	2	3	2 Form C	PCB	4.68	4.30	3.82	3.25
769-DS2E-S-DC48V	DS2E-S-DC48V	A2	2	48	2 Form C	PCB	6.34	5.83	5.18	4.40
769-DS2E-S-DC5V	DS2E-S-DC5V	A2	2	5	2 Form C	PCB	4.68	4.30	3.82	3.25
769-DS2E-S-DC6V	DS2E-S-DC6V	A2	2	6	2 Form C	PCB	4.31	3.95	3.50	2.98
769-DS2E-S-DC9V	DS2E-S-DC9V	A2	2	9	2 Form C	PCB	4.31	3.95	3.50	2.98
769-DS2Y-S-DC12V	DS2Y-S-DC12V	A2	2	12	2 Form C	PCB	2.81	2.58	2.30	1.95
769-DS2Y-S-DC24V	DS2Y-S-DC24V	A2	2	24	2 Form C	PCB	2.82	2.68	2.38	2.02
769-DS2Y-S-DC48V	DS2Y-S-DC48V	A2	2	48	2 Form C	PCB	4.26	3.92	3.48	2.96
769-DS2Y-S-DC5V	DS2Y-S-DC5V	A2	2	5	2 Form C	PCB	2.81	2.58	2.30	1.95
769-DS2Y-S-DC6V	DS2Y-S-DC6V	A2	2	6	2 Form C	PCB	3.06	2.82	2.50	2.13
769-DS2Y-S-DC9V	DS2Y-S-DC9V	A2	2	9	2 Form C	PCB	3.06	2.82	2.50	2.13
<b>Latching</b>										
769-DS2E-SL-DC12V	DS2E-SL-DC12V	A2	2	12	2 Form C	PCB	5.33	4.88	4.36	3.71
769-DS2E-SL-DC5V	DS2E-SL-DC5V	A2	2	5	2 Form C	PCB	5.34	4.91	4.36	3.70
<b>Dual Coil Latching</b>										
769-DS1E-ML-DC12V	DS1E-ML-DC12V	A4	2	12	1 Form C	PCB	6.29	5.79	5.14	4.36
769-DS1E-ML-DC24V	DS1E-ML-DC24V	A4	2	24	1 Form C	PCB	6.29	5.76	5.14	4.37
769-DS1E-ML-DC5V	DS1E-ML-DC5V	A4	2	5	1 Form C	PCB	6.29	5.76	5.14	4.37
769-DS2E-ML2-DC48V	DS2E-ML2-DC48V	A4	2	48	2 Form C	PCB	5.97	5.49	4.88	4.14
769-DS2E-ML2-DC9V	DS2E-ML2-DC9V	A4	2	9	2 Form C	PCB	4.48	4.10	3.66	3.11
769-DS4E-S-DC5V	DS4E-S-DC5V	A5	2	5	4 Form C	PCB	9.86	9.06	8.04	6.83
769-DS1E-ML2-DC12V	DS1E-ML2-DC12V	A4	2	12	1 Form C	PCB	6.02	5.54	4.92	4.18
769-DS1E-ML2-DC24V	DS1E-ML2-DC24V	A4	2	24	1 Form C	PCB	6.02	5.51	4.92	4.18
769-DS1E-ML2-DC5V	DS1E-ML2-DC5V	A4	2	5	1 Form C	PCB	4.73	4.23	4.01	3.82
769-DS1E-ML2-DC6V	DS1E-ML2-DC6V	A4	2	6	1 Form C	PCB	6.02	5.51	4.92	4.18
769-DS1E-SL2-DC3V	DS1E-SL2-DC3V	A4	2	3	1 Form C	PCB	8.19	7.50	6.70	5.69
769-DS2E-ML2-DC12V	DS2E-ML2-DC12V	A5	2	12	2 Form C	PCB	4.48	4.12	3.66	3.11
769-DS2E-ML2-DC24V	DS2E-ML2-DC24V	A5	2	24	2 Form C	PCB	4.48	4.12	3.66	3.11
769-DS2E-ML2-DC3V	DS2E-ML2-DC3V	A5	2	3	2 Form C	PCB	4.48	4.12	3.66	3.11
769-DS2E-ML2-DC5V	DS2E-ML2-DC5V	A5	2	5	2 Form C	PCB	4.48	4.12	3.66	3.11
769-DS2E-SL2-DC12V	DS2E-SL2-DC12V	A5	2	12	2 Form C	PCB	5.53	5.09	4.52	3.84
769-DS2E-SL2-DC24V	DS2E-SL2-DC24V	A5	2	24	2 Form C	PCB	5.53	5.09	4.52	3.84
769-DS2E-SL2-DC48V	DS2E-SL2-DC48V	A5	2	48	2 Form C	PCB	6.58	6.03	5.38	4.57
769-DS2E-SL2-DC5V	DS2E-SL2-DC5V	A5	2	5	2 Form C	PCB	4.86	4.67	4.15	3.53
769-DS2E-SL2-DC6V	DS2E-SL2-DC6V	A5	2	6	2 Form C	PCB	5.53	5.09	4.52	3.84
769-DS2E-SL2-DC9V	DS2E-SL2-DC9V	A5	2	9	2 Form C	PCB	5.53	5.09	4.52	3.84
769-DS4E-ML2-DC12V	DS4E-ML2-DC12V	A6	2	12	4 Form C	PCB	9.76	8.96	7.96	6.76
769-DS4E-SL2-DC12V	DS4E-SL2-DC12V	A6	2	12	4 Form C	PCB	11.49	10.55	9.37	7.96

## HY SERIES

### Features:

- Non-Polarized
- Sealed Construction
- High sensitivity: 150mW/200mW



RoHS Compliant

For quantities of 250 and up, call for quote.

MOUSER STOCK NO.	Panasonic Part No.	Fig.	Current Rating (A)	Voltage (VDC)	Contact Arrangement	Mounting Type	Price Each			
							1	25	50	100
769-HY1-12V	HY1-12V	B	1	12	1 Form C	PCB	3.37	3.09	2.74	2.33
769-HY1-24V	HY1-24V	B	1	24	1 Form C	PCB	4.58	4.21	3.74	3.18
769-HY1-3V	HY1-3V	B	1	3	1 Form C	PCB	3.37	3.09	2.74	2.33
769-HY1-5V	HY1-5V	B	1	5	1 Form C	PCB	3.65	3.34	2.98	2.54
769-HY1Z-12V	HY1Z-12V	B	1	12	1 Form C	PCB	3.33	3.05	2.72	2.31
769-HY1Z-24V	HY1Z-24V	B	1	24	1 Form C	PCB	4.04	3.72	3.30	2.80
769-HY1Z-5V	HY1Z-5V	B	1	5	1 Form C	PCB	3.33	3.06	2.72	2.31

© Copyright 2010 Mouser Electronics

1706

[mouser.com/panasonicw](http://mouser.com/panasonicw)




a tti company

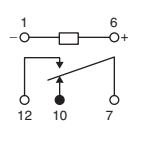


RoHS Compliant

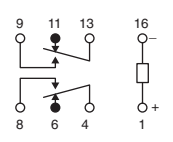
**A**



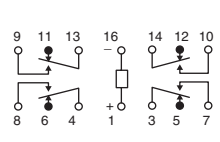
**1**



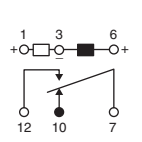
**2**



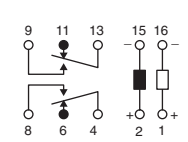
**3**



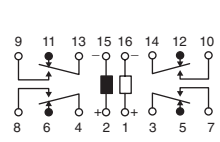
**4**




**5**



**6**



**B**



© Copyright 2010 Mouser Electronics

(800) 346-6873