

Rocker Switches



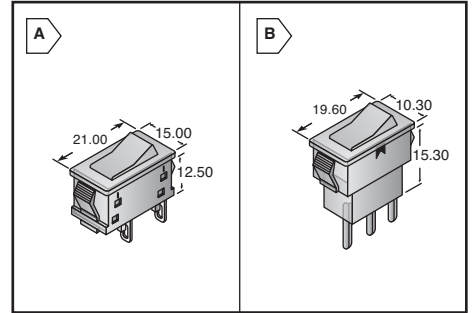
APPLIANCE STYLE ROCKER SWITCHES



DIMENSIONS: in.

For quantities of 1000 and up, call for quote.

MOUSER STOCK NO.	Apem Part No.	Fig.	Function	Terminal	Price Each			
					1	25	100	500
642-FMC12A220	FMC12A220	A	SPST On-Off	Solder	1.27	1.22	1.09	1.00
642-FMC32A220	FMC32A220	A	SPST Off-(On)	Solder	2.64	2.24	2.13	1.99
642-FMC62A220	FMC62A220	A	SPDT On-On	Solder	1.58	1.51	1.32	1.23
642-FML18A276A0	FML18A276A0	A	SPST On-Off Illum. Red	Quick-connect	5.20	4.64	3.99	3.00
642-FMC92A220	FMC92A220	A	SPDT On Off On	PC	1.72	1.63	1.45	1.34
642-AS36S010010	AS36S010010	B	SPDT On-On	Solder	3.99	3.78	3.37	2.44
642-AS39S010010	AS39S010010	B	SPDT On-Off-On	Solder	3.14	2.85	2.59	2.21
642-AS37S010010	AS37S010010	B	SPDT (On)-Off-(On)	Solder	3.79	3.45	3.12	2.67
642-AS36P0	AS36P0	B	SPDT On-On	PC	2.88	2.61	2.36	2.04
642-AS39P0	AS39P0	B	SPDT On-Off-On	PC	3.05	2.85	2.56	2.23

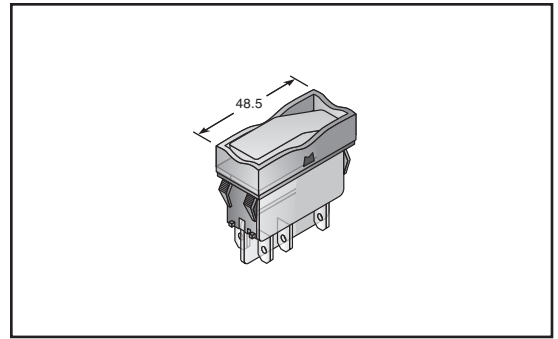


POWER ROCKER SWITCHES

DIMENSIONS: in.

For quantities of 1000 and up, call for quote.

MOUSER STOCK NO.	Apem Part No.	Function	Price Each			
			1	25	100	500
Non-Illuminated						
642-KG312A2XXA21	KG312A2XXA21	SPST On-Off	7.85	7.07	6.67	6.00
642-KG362A2XXA21	KG362A2XXA21	SPDT On-On	11.84	10.38	9.41	8.40
642-KG372A2XXA21	KG372A2XXA21	SPDT (On) -Off-(On)	11.34	10.20	9.64	8.66
642-KG412A2XXA21	KG412A2XXA21	DPST On-Off	8.89	8.45	7.99	7.56
642-KG452A2XXA21	KG452A2XXA21	DPDT (On)-On	10.58	9.99	9.40	8.82
642-KG462A2XXA21	KG462A2XXA21	DPDT On-On	10.62	9.57	9.03	7.97
Illuminated - Red lens - 12V Red LED						
642-KG312A2DXA246	KG312A2DXA246	SPST On-Off	11.85	11.19	10.79	10.58
642-KG352A2DXA246	KG352A2DXA246	SPDT (On)-On	12.43	11.73	11.05	10.36
642-KG362A2DXA246	KG362A2DXA246	SPDT On-On	9.87	9.32	8.77	8.22
642-KG412A2DXD246	KG412A2DXD246	DPST On-Off	22.19	20.21	18.45	15.75
642-KG452A2DXA246	KG452A2DXA246	DPDT (On)-On	13.76	13.00	12.23	11.47
642-KG462A2DXA246	KG462A2DXA246	DPDT On-On	11.72	11.07	10.42	9.76



V SERIES: CONTURA SEALED ROCKER SWITCHES



DIMENSIONS: in.

Flexibility of options with interchangeable actuators (sold separately only)

Specifications:

- IP66/IP68 certified
- Meet UL1500/ISO8846 for ignition protection
- Temperature range: 40°C to +85°C
- Rating: 20A @ 12VDC
- Termination: 10 terminals, .250 QC without barriers

() Momentary

For quantities of 250 and up, call for quote.

MOUSER STOCK NO.	Carling Technologies Part No.	Fig.	Contact Form	Circuit	Price Each			
					1	25	50	100
Switch Body Only, No Lamps								
691-V2D2S00B	V2D2S00B-00000-000	A	SPST	(ON)-OFF	4.52	3.86	3.55	3.39
Actuators for Switches With No Lamps or LEDs								
691-VVAZC	VVAZC00-000	B	Black, hard, raised bumps each end		1.05	.90	.86	.79
691-VVAZB	VVAZB00-000	B	Black, soft, raised bumps each end		1.69	1.44	1.31	1.27
Switch Body Only With 1 12V Amber LED and 1 12V Superbright Green LED								
691-V1D2GHNB	V1D2GHNB-00000-000	A	SPST	ON-OFF	9.60	8.20	7.71	7.21
691-V2D2GHNB	V2D2GHNB-00000-000	A	SPST	(ON)-OFF	10.10	8.63	8.11	7.59
691-VGD2GHNB	VGD2GHNB-00000-000	A	SPDT	OFF-ON-ON	13.18	11.26	10.51	9.90
691-V4D2GHNB	V4D2GHNB-00000-000	A	SPST	ON-ON	10.24	8.75	8.23	7.70
691-V6D2GHNB	V6D2GHNB-00000-000	A	SPDT	ON-OFF-ON	10.24	8.75	8.23	7.70
691-VED2GHNB	VED2GHNB-00000-000	A	SPDT	ON-ON-ON	14.14	12.08	11.27	10.62
691-V8D2GHNB	V8D2GHNB-00000-000	A	SPDT	(ON)-OFF-(ON)	9.07	7.75	7.07	6.82
691-VLD2GHNB	VLD2GHNB-00000-000	A	DPDT	(ON)-OFF-(ON)	11.34	9.69	8.78	8.52
Actuators for Switches With LEDs								
691-VVAAC	VVAAC00-000	C	Contura II, Black with white square lens, white bar		1.05	.90	.86	.79
691-VVEAC	VVEAC00-000	D	Contura IV, Black with white dual round lenses		1.25	1.07	.99	.838
691-VVFAC	VVFAC00-000	E	Contura IV, Black with white dual round lenses		1.17	1.11	1.06	.95
691-VVGAC	VVGAC00-000	F	Contura V, Black with white dual round lenses		.97	.83	.76	.64
Switch Body Only With 1 12V Incandescent Lamp								
691-V1D2B60B	V1D2B60B-00000-000	A	SPST	ON-OFF	5.70	4.87	4.52	4.29
691-V8D2B60B	V8D2B60B-00000-000	A	SPDT	(ON)-OFF-(ON)	6.99	5.98	5.55	5.25
Switch Body Only With 2 12V Incandescent Lamps								
691-V4D2D66B	V4D2D66B-00000-000	A	SPST	ON-ON	8.04	6.87	6.42	6.04
691-V6D2D66B	V6D2D66B-00000-000	A	SPDT	ON-OFF-ON	8.04	6.87	6.42	6.04
Actuators for Switches With Incandescent Lamps								
691-VVCMC	VVCMC00-000	G	Contura III, Red bar lens one end		1.05	.90	.86	.79
691-VV CNC	VV CNC00-000	H	Contura III, 2 red bar lenses, 1 each end		1.05	.90	.86	.79
691-VVEMC	VVEMC00-000	I	Contura IV, Red bar lens one end		1.32	1.13	1.04	.88
691-VVFMC	VVFMC00-000	J	Contura IV, Red bar lens one end		1.32	1.13	1.04	.88
691-VVENC	VVENC00-000	K	Contura IV, 2 red bar lenses, 1 each end		1.25	1.07	.99	.838
691-VVFNC	VVFNC00-000	L	Contura IV, 2 red bar lenses, 1 each end		1.19	.88	.84	.73
Tools and Accessories for Contura Switches								
691-VRT	VRT	Actuator removal tool			2.65	2.27	2.08	1.76
691-VPS-01	VPS-01	Panel seal			.74	.63	.58	.49
691-VC1-01	VC1-01	10 terminal connector			.92	.88	.84	.76
691-VH2-01	VH2-01	Hole plug			1.11	.95	.87	.74
691-VM3-01	VM3-01	3-gang mounting bracket			3.32	2.84	2.61	2.21

