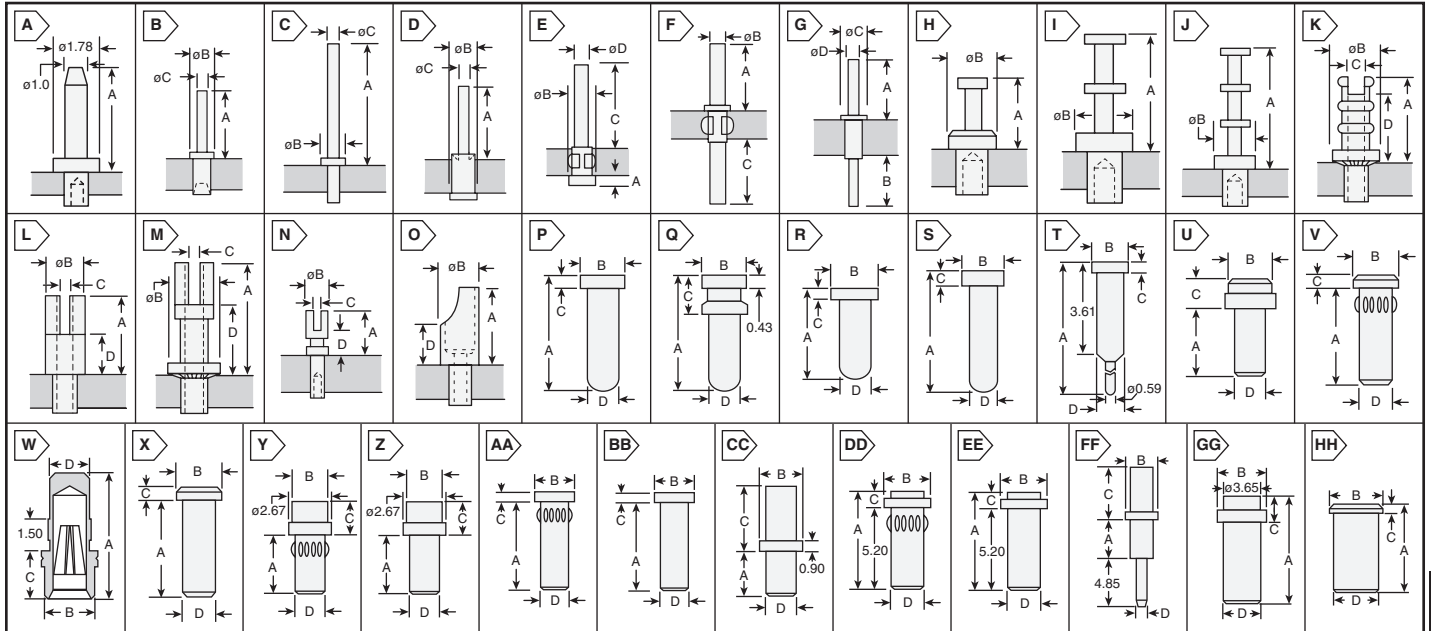


RoHS Compliant This product is RoHS compliant.



PCB TURNED TERMINALS

• Material: Brass with tin plating

** Solder Pot

For quantities of 50 and up, call for quote.

MOUSER STOCK NO.	Harwin Part No.	Fig.	Dimensions: mm						Price Each			
			A	B	C	D	Thru Hole Ø	Panel Thickness	Mounting Hole Ø	1	10	25
Terminal Pins												
855-H2174-01	H2174-01	A	4.30	-	-	-	-	1.60	1.04/1.14	.25	.231	.211
855-H2175-01	H2175-01	A	5.00	-	-	-	-	1.60	1.04/1.14	.27	.25	.23
855-H2173-01	H2173-01	A	8.10	-	-	-	-	1.60	1.04/1.14	.25	.23	.22
855-H2176-01	H2176-01	A	9.50	-	-	-	-	1.60	1.04/1.14	.15	.14	.13
855-H2170-01	H2170-01	A	13.20	-	-	-	-	1.60	1.04/1.14	.26	.24	.23
855-H2101A01	H2101A01	B	6.50	2.40	0.96	-	-	1.60	1.79/1.87	.17	.15	.14
855-H2105A01	H2105A01	B	4.50	2.40	0.81	-	-	1.60	1.33/1.41	.35	.327	.306
855-H2106A01	H2106A01	B	4.50	2.40	0.81	-	-	2.40	1.33/1.41	.31	.299	.28
855-H3108-01	H3108-01	C	5.70	1.00	0.50	-	-	1.00	.50/1.55	.19	.16	.15
855-H2101B01	H2101B01	D	6.75	2.40	0.96	-	-	1.60	1.79/1.87	.26	.252	.233
855-H2105B01	H2105B01	D	4.70	2.40	0.81	-	-	1.60	1.33/1.41	.28	.277	.246
855-H2157-01	H2157-01	E	1.4 max	2.00	9.80	1.21	-	1.60	1.30/1.40	.24	.228	.208
855-H3150-01	H3150-01	E	0.50	1.60	5.40	0.97	-	1.60	.99/1.04	.21	.181	.151
855-H3151-01	H3151-01	F	4.40	1.60	4.00	-	-	1.60	.99/1.04	.20	.19	.18
855-H2101-01	H2101-01	G	6.00	6.60	2.40	0.91	-	1.60	1.79/1.87	.35	.331	.301
855-H2105-01	H2105-01	G	4.50	3.45	2.40	0.81	-	1.60	1.33/1.41	.20	.17	.15
Lugs												
855-H9001-01	H9001-01	H	2.40	1.57	-	-	-	1.60	1.25/1.33	.20	.19	.18
855-H9004-01	H9004-01	I	4.75	3.18	-	-	-	1.60	2.01/2.09	.27	.251	.24
855-H2121-01	H2121-01	I	5.15	3.18	-	-	-	1.60	1.69/1.74	.32	.295	.275
855-H9020-01	H9020-01	J	7.65	3.18	-	-	-	1.60	2.35/2.45	.29	.279	.258
855-H2071Z01	H2071Z01	K	9.10	4.75	1.70	7.55	1.70	2.40	2.68/2.78	.55	.518	.477
855-H2072-01	H2072-01	K	6.35	3.95	1.40	5.15	1.40	1.60	2.17/2.27	.48	.454	.435
855-H2072Z01	H2072Z01	K	6.50	3.95	1.17	5.30	1.17	1.60	2.01/2.11	.43	.403	.383
855-H2072ZL1	H2072ZL1	K	6.50	3.95	1.17	5.30	1.17	2.40	2.01/2.11	.45	.421	.40
855-H2073Z01	H2073Z01	K	9.10	4.75	1.70	7.55	1.70	3.20	2.68/2.78	.24	.228	.218
855-H2074Z01	H2074Z01	K	8.75	6.35	2.77	7.15	2.77	3.20	3.93/4.03	.80	.76	.719
855-H2051-01	H2051-01	L	4.80	3.18	0.65	2.40	1.02	1.60	1.60/1.68	.20	.19	.18
855-H2055-01	H2055-01	L	6.35	3.18	1.20	3.18	1.70	2.40	2.4/2.48	.24	.23	.21
855-H2039-01	H2039-01	M	12.70	5.55	1.50	7.95	2.18	3.20	3.19/3.27	.70	.642	.573
855-H9023-01	H9023-01	N	3.95	1.83	0.70	2.25	-	1.60	1.28/1.38	.33	.319	.29
855-H9026-01**	H9026-01	O	6.35	3.18	-	3.18	1.10	2.40	1.84/1.94	.26	.254	.244

PCB SOCKETS

For quantities of 50 and up, call for quote.

MOUSER STOCK NO.	Harwin Part No.	Fig.	Dimensions: mm						Price Each			
			A	B	C	D	Max. Pin Length	Mating Pin Size Ø	Mounting Hole Ø	1	10	25
Sub Miniature Sockets for Ø0.5mm Pins												
855-H3153-01	H3153-01	P	3.61	1.45	0.43	0.99	3.15	0.46-0.51	1.00/1.10	.14	.13	.12
855-H3155-01	H3155-01	Q	3.61	1.45	1.30	0.99	3.15	0.46-0.51	1.00/1.10	.17	.15	.14
855-H3190-01	H3190-01	R	3.00	1.45	0.43	0.99	2.40	0.46-0.51	1.00/1.10	.24	.229	.199
855-H3191-01	H3191-01	S	4.90	1.45	0.43	0.99	4.70	0.46-0.51	1.00/1.10	.26	.25	.23
855-H3192-01	H3192-01	T	7.54	1.45	0.43	0.99	3.15	0.46-0.51	1.00/1.10	.28	.272	.252
PC Board Sockets for Ø0.8mm Pins												
855-H8505-01	H8505-01	U	3.70	2.67	2.35	1.90	4.35	0.75-0.85	1.91/2.01	.37	.369	.328
855-H8501-01	H8501-01	V	5.00	2.35	1.00	1.90	4.50	0.75-0.85	1.91/1.96	.32	.315	.295
855-H8502-01	H8502-01	W	5.90	2.35	2.25	1.85	4.85	0.60-0.85	1.91/1.96	.28	.258	.23
855-H8504-01	H8504-01	X	5.00	2.35	1.00	1.90	4.50	0.75-0.85	1.91/1.96	.36	.345	.315
PC Board Sockets for 1mm Pins												
855-H3165-01	H3165-01	Y	3.75	2.67	2.20	1.90	4.85	0.90-1.05	1.91/1.96	.27	.268	.247
855-H3182-01	H3182-01	Z	3.75	2.67	2.20	1.90	4.85	0.90-1.05	1.91/2.01	.26	.251	.222
855-H3161-01	H3161-01	AA	4.95	2.35	0.60	1.90	4.60	0.90-1.05	1.91/1.96	.19	.18	.16
855-H3183-01	H3183-01	BB	4.95	2.35	0.60	1.90	4.70	0.90-1.05	1.91/2.01	.20	.199	.189
855-H3163-01	H3163-01	CC	3.28	3.28	4.85	2.18	4.85	0.90-1.05	1.91/1.96	.55	.409	.358
855-H3169-01	H3169-01	DD	5.20	3.28	0.90	2.18	---	0.90-1.05	2.19/2.24	.35	.339	.309
855-H3185-01	H3185-01	EE	5.20	3.28	0.90	2.18	---	0.90-1.05	2.19/2.24	.30	.281	.271
855-H3194-01	H3194-01	FF	4.10	3.28	4.70	1.02	4.50	0.90-1.05	2.37/2.47	1.34	1.21	1.07
PC Board Sockets for 2mm Pins												
855-H3490-01	H3490-01	GG	10.60	4.75	2.60	3.65	8.50	1.9-2.2	3.77/3.67	1.05	.971	.86
855-H3492-01	H3492-01	HH	8.00	4.75	0.90	4.00	6.30	1.9-2.2	4.02/4.12	1.02	.955	.835