

# MOLEX MicroClasp™ Connectors

## MOLEX 2.0MM (.079") RECEPTACLES AND HEADERS DUAL ROW - WIRE-TO-BOARD

The original application for the MicroClasp™ connector system was Pachinko (gaming) machines. Most of these machines previously used 2.50mm pitch WTB systems with outer positive locks. As pachinko boards became higher density with more functions, makers were looking for a smaller connector that was also easy to install. Easy installation is important because new game upgrades on daughterboard modules would be installed on-site by pachinko parlor employees. Molex developed the 2.0mm MicroClasp™ system to meet these various needs. Notches would sometimes have to be cut into panels to accommodate the old 2.50mm pitch outer-style positive lock types, but not with MicroClasp™. The smaller pitch and inner positive lock saved space and are easy to actuate in high density areas. And a unique low insertion force terminal makes it easy for operators to insert/extract connectors. In addition, MicroClasp™ is among the smallest of its kind to carry 3.0 Amps as most 2.0mm pitch systems can only accommodate 2.0 Amps. The extra signal power and space savings is important so Pachinko makers and other equipment makers can offer more high-end graphics/sound/etc in smaller spaces.

### Features:

- Two point contact design for greater reliability
- Locking tang on contact for secure retention to the housing
- Positive lock on the housing assures secure retention when mated to a header
- Polarized mating geometry assures housings cannot be mated to headers
- Headers fully shrouded to protect pins
- Lead-free plating
- Headers - through hole mounting

### Electrical:

- Current: 3.0A max
- Voltage: 250V

### Physical:

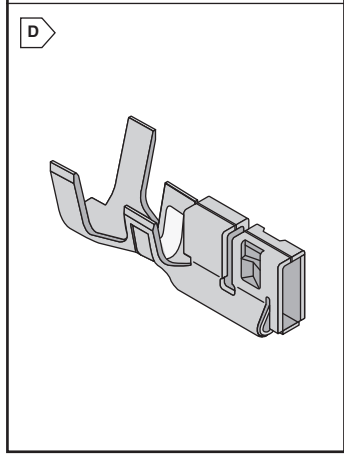
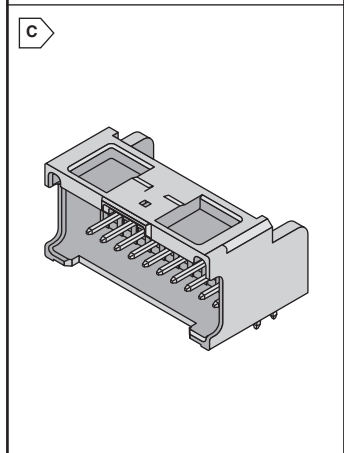
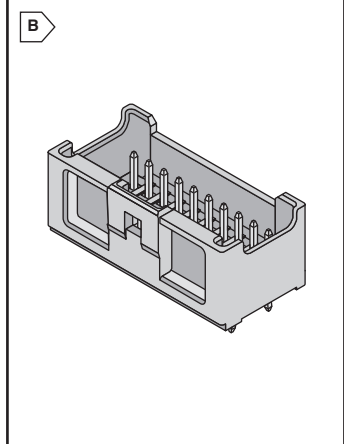
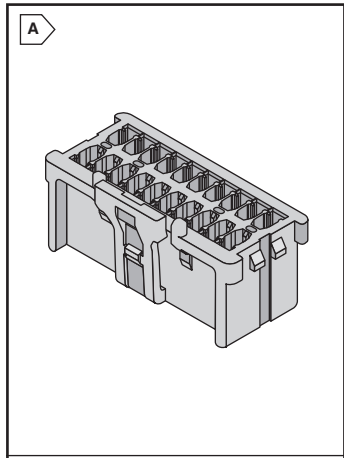
- Receptacles / Headers: White, Nylon 6/6, UL 94V-0
- Pin: Brass
- Plating: Lead-free Tin
- Operating Temperature: -25°C to +85°C

### Applications:

- Coin Operated Devices
- Power Tools
- Alarms / Security systems
- Washers / Dryers
- Medical (Hospital beds, Patient monitors)
- HVAC
- Power supplies
- Exercise equipment

For quantities of 250 and up, call for quote.

MOUSER STOCK NO.	Molex Part No.	Fig.	No. of Circuits	Overall Length (In.)	First-to-Last Circuit (In.)	Price Each				
						1	10	25	50	100
<b>Receptacle Housings</b>										
538-51353-0800	51353-0800	A	8	0.449	0.236	.24	.22	.20	.18	.16
538-51353-1000	51353-1000	A	10	0.528	0.315	.35	.31	.296	.241	.23
538-51353-1200	51353-1200	A	12	0.606	0.394	.38	.35	.32	.27	.25
538-51353-1400	51353-1400	A	14	0.685	0.472	.42	.37	.351	.318	.296
538-51353-1600	51353-1600	A	16	0.764	0.551	.52	.47	.429	.341	.33
538-51353-1800	51353-1800	A	18	0.843	0.630	.69	.62	.571	.45	.395
538-51353-2000	51353-2000	A	20	0.921	0.709	.57	.51	.47	.38	.36
538-51353-2200	51353-2200	A	22	1.000	0.787	.70	.62	.572	.473	.451
538-51353-2400	51353-2400	A	24	1.079	0.866	.80	.73	.69	.57	.53
538-51353-2600	51353-2600	A	26	1.157	0.945	.96	.90	.858	.836	.814
538-51353-2800	51353-2800	A	28	1.236	1.024	.87	.79	.747	.692	.67
538-51353-3000	51353-3000	A	30	1.315	1.102	1.08	1.06	1.04	1.02	.77
538-51353-3200	51353-3200	A	32	1.394	1.181	1.17	1.12	1.07	.835	.802
538-51353-3400	51353-3400	A	34	1.472	1.260	1.41	1.34	1.29	1.25	.946
538-51353-3600	51353-3600	A	36	1.551	1.339	1.45	1.38	1.31	1.25	1.19
538-51353-3800	51353-3800	A	38	1.630	1.417	1.52	1.46	1.38	1.33	1.26
538-51353-4000	51353-4000	A	40	1.709	1.437	1.30	1.25	1.18	1.13	1.07
<b>Vertical Headers</b>										
538-55917-0810	55917-0810	B	8	0.449	0.236	.50	.405	.37	.341	.308
538-55917-1010	55917-1010	B	10	0.528	0.315	.58	.51	.484	.385	.341
538-55917-1210	55917-1210	B	12	0.606	0.394	.67	.469	.428	.392	.358
538-55917-1410	55917-1410	B	14	0.685	0.472	.70	.539	.492	.45	.412
538-55917-1610	55917-1610	B	16	0.764	0.551	.79	.64	.58	.54	.52
538-55917-1810	55917-1810	B	18	0.843	0.630	.92	.90	.88	.858	.649
538-55917-2010	55917-2010	B	20	0.921	0.709	1.00	.97	.935	.891	.627
538-55917-2210	55917-2210	B	22	1.000	0.787	1.00	.97	.934	.89	.824
538-55917-2410	55917-2410	B	24	1.079	0.866	.90	.85	.814	.77	.704
538-55917-2610	55917-2610	B	26	1.157	0.945	1.25	1.20	1.12	1.04	.934
538-55917-2810	55917-2810	B	28	1.236	1.024	1.41	1.38	1.18	1.01	.989
538-55917-3010	55917-3010	B	30	1.315	1.102	1.41	1.38	1.18	1.01	.99
538-55917-3210	55917-3210	B	32	1.394	1.181	1.88	1.73	1.66	1.58	1.24
538-55917-3410	55917-3410	B	34	1.472	1.260	1.88	1.73	1.66	1.58	1.24
538-55917-3610	55917-3610	B	36	1.551	1.339	1.95	1.81	1.73	1.66	1.57
538-55917-3810	55917-3810	B	38	1.630	1.417	1.95	1.81	1.73	1.71	1.57
538-55917-4010	55917-4010	B	40	1.709	1.496	1.95	1.81	1.73	1.71	1.57
<b>Right-Angle Headers</b>										
538-55959-0830	55959-0830	C	8	0.449	0.236	.79	.76	.72	.68	.61
538-55959-1030	55959-1030	C	10	0.528	0.315	.81	.74	.69	.64	.62
538-55959-1230	55959-1230	C	12	0.606	0.394	.99	.93	.89	.85	.75
538-55959-1430	55959-1430	C	14	0.685	0.472	1.03	.93	.85	.68	.59
538-55959-1630	55959-1630	C	16	0.764	0.551	.97	.86	.81	.67	.65
538-55959-1830	55959-1830	C	18	0.843	0.630	1.21	1.16	1.11	.94	.88
538-55959-2030	55959-2030	C	20	0.921	0.709	1.21	1.12	1.07	.89	.83
538-55959-2230	55959-2230	C	22	1.000	0.787	1.31	1.22	1.17	.91	.86
538-55959-2430	55959-2430	C	24	1.079	0.866	1.39	1.32	1.25	.99	.94
538-55959-2630	55959-2630	C	26	1.157	0.945	1.49	1.45	1.40	1.35	1.32
538-55959-2830	55959-2830	C	28	1.236	1.024	1.55	1.52	1.49	1.45	1.40
538-55959-3030	55959-3030	C	30	1.315	1.102	1.61	1.54	1.49	1.45	1.40
538-55959-3230	55959-3230	C	32	1.394	1.181	1.79	1.74	1.71	1.67	1.65
538-55959-3430	55959-3430	C	34	1.472	1.260	1.79	1.74	1.71	1.71	1.10
538-55959-3630	55959-3630	C	36	1.551	1.339	1.99	1.96	1.93	1.91	1.86
538-55959-4030	55959-4030	C	40	1.709	1.496	2.34	2.23	1.61	1.52	1.47



Molex Rectangular Connectors

### Contact - Female



RoHS Compliant For quantities of 5000 and up, call for quote.

MOUSER STOCK NO.	Molex Part No.	Fig.	Description	Price Each			
				1	100	500	1000
538-56134-9100	56134-9100	D	22-28AWG	.08	.07	.063	.057

### Tool

For quantities of 5 and up, call for quote.

MOUSER STOCK NO.	Molex Part No.	Description	Price Each
538-63811-6300	63811-6300	Hand Crimper	311.00