



This product is RoHS compliant.

## HYBRID PUSH-PULL READER

The manual Hybrid Reader accepts both ISO 7810 magstripe cards and ISO 7816 chip cards in the same slot. Push-pull card handling allows reading of the magnetic stripe on the way in or out, and reading/writing of the chip card when card is fully inserted.

### Features:

- 3 track magnetic head
- Dual head chip reader
- Decoder circuit for each track
- EMV compliant
- Card guiding for secure card reading
- Space saving compact design
- Landing, self cleaning contacts
- 500,000 mating cycles for both chip and magnetic stripe
- Gimballed magnetic head

For quantities of 50 and up, call for quote.

MOUSER STOCK NO.	Amphenol Part No.	Fig.	Description	Price Each			
				1	5	10	25
<a href="#">523-C70310M0086095</a>	C703 10M008 609 5	A	Push-Pull Slim, standard print, low profile, superflat magnetic head; no card break	52.69	48.51	44.29	40.74

## SUPERFLAT FLEX STYLE

The Superflat style connector is extremely low profile and compact, and has an average insertion cycle life of 200k+ cycles with some applications achieving 500k insertions cycles. The acceptor features a flex film I/O, and a normally open card presence switch (closes upon card insertion). These connectors are common in point of sale systems, mobile devices, access control, and keyboards.

### Features:

- Contact position meets ISO 7816
- Panel mount
- Card presence switch- Normally open
- Flexprint termination saves board space
- 300,000 mating cycles
- EMV Compliant

### Specifications:

- Color: Ivory
- Contact Plating: Tin bronze with selective gold
- Operating Temperature: -25°C to +65°C

For quantities of 50 and up, call for quote.

MOUSER STOCK NO.	Amphenol Part No.	Fig.	Description	Price Each			
				1	5	10	25
<a href="#">523-C70210M0080654</a>	C702 10M008 065 4	B	Standard print, flex basis	20.34	18.58	17.11	15.85
<a href="#">523-C70210M0080664</a>	C702 10M008 066 4	C	Standard print, snap in with board locks, flex point	15.28	12.86	11.91	10.38

## LOW PROFILE PUSHMATIC® SLIM

### Features:

- 300,000 mating cycle
- Card locking in active position
- Automatic card ejection
- EMV compliant
- Card presence and locking switch
- Tape and Reel
- Landing, self-cleaning contacts
- Automatic card ejection after transaction
- Manual unlocking after power failure

For quantities of 50 and up, call for quote.

MOUSER STOCK NO.	Amphenol Part No.	Fig.	Description	Price Each			
				1	5	10	25
<a href="#">523-C70210M0089014</a>	C702 10M008 901 4	D	Landing self-cleaning contacts; PUSHMATIC	83.40	76.21	70.16	65.01

## MONOBLOCK

The monoblock is widely used in applications requiring tracking and authentication like satellite TV receivers, access control to computer main frames and many medical devices.

### Features:

- Low cost
- Contact position meets ISO 7810, 7816
- Boardlocks for mechanical fixation
- EMV Compliant
- Minimizes card scratching
- Self cleaning card presence switch
- 100,000 mating Cycles

For quantities of 200 and up, call for quote.

MOUSER STOCK NO.	Amphenol Part No.	Fig.	Description	Price Each			
				1	25	50	100
<a href="#">523-C70210M00823040</a>	C702 10M008 230 40	E	XXS Card Guide wiping contact, low profile, PCB, normally closed switch	.68	.63	.58	.53
<a href="#">523-C70210M00823140</a>	C702 10M008 231 40	F	XXS Wiping, normally open switch	.68	.63	.58	.53
<a href="#">523-C70210M00823240</a>	C702 10M008 232 40	E	Card Guide wiping contact, 3mm standoff, PCB, normally closed	.68	.63	.58	.53
<a href="#">523-C70210M00823440</a>	C702 10M008 234 40	E	Card Guide wiping contact, 5mm standoff, PCB, normally closed	.68	.63	.58	.53
<a href="#">523-C70210M0082304</a>	C702 10M008 230 4	G	Card Guide, 8 contacts, SMT, infrared reflow 230°C	9.88	9.03	8.31	7.70

## BRIDGEBLOCK®

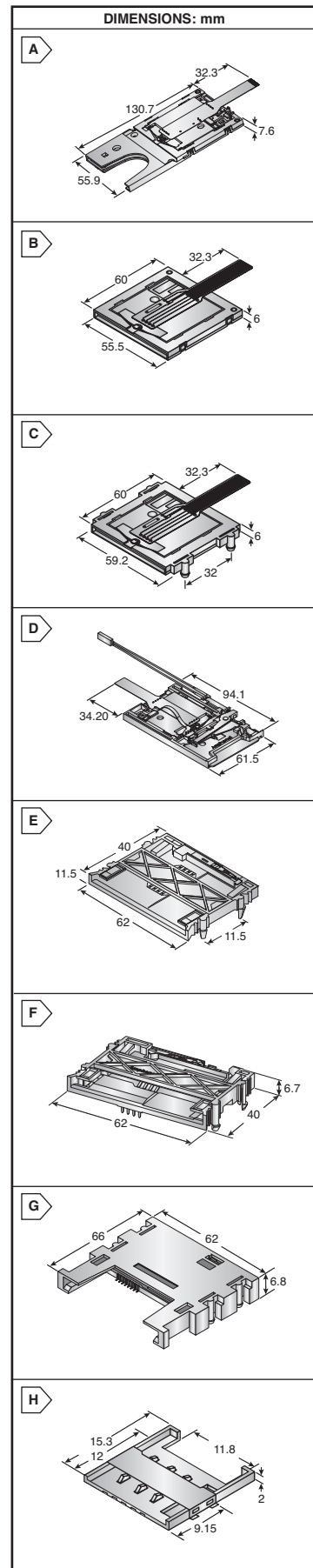
Amphenol Smart Card Connectors are designed to make secure contact to all cards designed according to ISO 7816 and thus ensure a reliable data transmission. The communication with the chip card can begin when the card is fully inserted and the data contacts are all connected. At this point an integral card presence switch is activated and signals to the connected circuitry that the card is ready to be read and written to.

### Features:

- Compact style with small footprint
- 1500 mating cycle
- SMT solderable
- Card guidance including stop is integrated
- Metal bridge as card guidance
- Pick and place capability
- For SIM/SAM applications

For quantities of 200 and up, call for quote.

MOUSER STOCK NO.	Amphenol Part No.	Fig.	Description	Price Each			
				1	25	50	100
<a href="#">523-C70710M0061362</a>	C707 10M006 136 2	H	2mm BRIDGEBLOCK with card guide & stop, 6 contacts	.85	.77	.71	.62



Backplane/Card Edge Amphenol