



This product is RoHS compliant.

IP67 RATED CIRCULAR DIN CONNECTORS, SERIES C091D

Features:

- Metal threaded coupling according to IEC 60130-9
- Internal metal strain relief
- Complete EMI shielding in fully mated and locked position
- Solder termination
- Cable connector length: 2.244 in.
- Cable connector diameter: .709 in.
- UL registered under file #E63093 UL

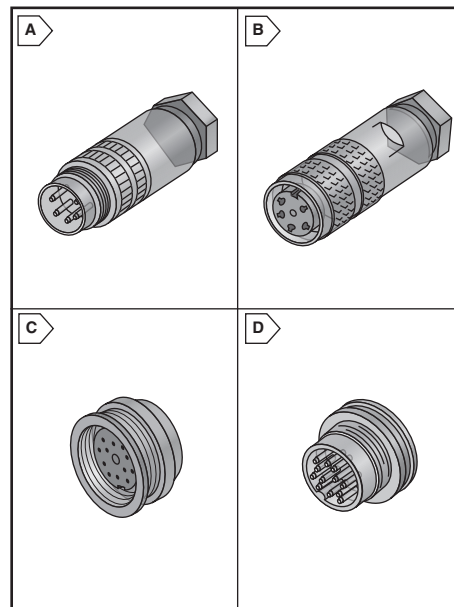
Specifications:

- Temperature range: -40°F to + 185°F (IEC 60068-1)
- IP67 (IEC 60529)
- Contact plating: Silver
- Mating cycles: 500
- Flammability: UL94V-0
- Dielectric material: Thermoplastic



For quantities of 100 and up, call for quote.

MOUSER STOCK NO.	Amphenol Part No.	Fig.	No. of Contacts	Voltage (IEC 60664-1)	Current (IEC 60512-3)	AWG Size.	Price Each		
							1	10	50
Male Cable Connector, Max Cable O.D. is 6mm									
523-31H003-100-2	C091 31H003 100 2	A	3 DIN	300V	5A	20-26	20.92	19.13	17.62
523-31H005-100-2	C091 31H005 100 2	A	5 IEC	300V	5A	20-26	19.64	17.97	16.55
523-31H006-100-2	C091 31H006 100 2	A	6 DIN	300V	5A	20-26	21.61	19.76	18.20
523-31H008-100-2	C091 31H008 100 2	A	8 DIN	300V	5A	20-26	22.19	20.29	18.69
Female Cable Connector, Max Cable O.D. is 6mm									
523-31D005-100-2	C091 31D005 100 2	B	5 IEC	300V	5A	20-26	22.07	20.19	18.60
523-31D006-100-2	C091 31D006 100 2	B	6 DIN	300V	5A	20-26	22.28	20.38	18.77
523-31D008-100-2	C091 31D008 100 2	B	8 DIN	300V	5A	20-26	22.99	21.03	19.37
Female Panel Receptacle, Front Mounting									
523-31N003-100-2	C091 31N003 100 2	C	3 DIN	300V	5A	20-26	7.64	6.99	6.44
523-31N005-100-2	C091 31N005 100 2	C	5 IEC	300V	5A	20-26	7.70	7.04	6.49
523-31N006-100-2	C091 31N006 100 2	C	6 DIN	300V	5A	20-26	7.72	7.06	6.50
523-31N008-100-2	C091 31N008 100 2	C	8 DIN	300V	5A	20-26	11.01	10.07	9.28
Male Panel Receptacle, Front Mounting									
523-31W005-100-2	C091 31W005 100 2	D	5 IEC	300V	5A	20-26	6.65	6.09	5.61
523-31W006-100-2	C091 31W006 100 2	D	6 DIN	300V	5A	20-26	6.90	6.31	5.39
523-31W008-100-2	C091 31W008 100 2	D	8 DIN	300V	5A	20-26	7.55	6.91	6.36



ENVIRONMENTAL CIRCULAR CONNECTORS, SERIES 44

44 Series associates easy assembly with high performance at an inexpensive price. These connectors are also vibration resistant and field proven in rugged applications.

Features:

- Poke-Home® crimp contacts
- One piece water resistant design (IP65)
- Housings made from santoprene thermoplastic rubber
- Contacts sold separate from housings

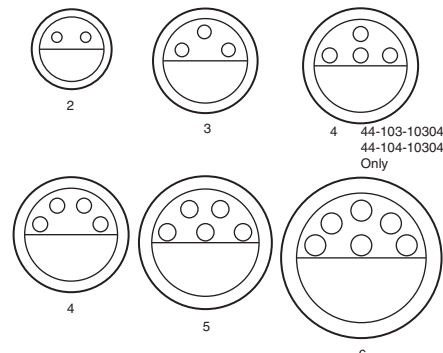
Specifications:

- Temperature Range: -40°C to +125°C
- Wire Outer Diameter: .080" to .130"
- Mated Length: 2.174"
- Contact Plating: Silver

For quantities of 250 and up, call for quote.

MOUSER STOCK NO.	Amphenol Part No.	Fig.	No. of Contacts	Voltage	Current	AWG Size	Price Each			
							1	10	25	100
Plug Housings										
523-44-103-10002	044 103 10002	A	2	250VAC RMS	8A	14, 16 & 18	2.38	2.18	2.02	1.87
523-44-103-10003	044 103 10003	A	3	250VAC RMS	8A	14, 16 & 18	2.80	2.57	2.37	2.20
523-44-103-10004	044 103 10004	A	4	250VAC RMS	8A	14, 16 & 18	3.75	3.43	3.17	2.94
523-44-103-10005	044 103 10005	A	5	250VAC RMS	8A	14, 16 & 18	1.55	1.42	1.31	1.21
523-44-103-10006	044 103 10006	A	6	250VAC RMS	8A	14, 16 & 18	3.87	3.55	3.28	3.04
Receptacle Housings										
523-44-104-10002	044 104 10002 02	B	2	250VAC RMS	8A	14, 16 & 18	2.87	2.63	2.43	2.26
523-44-104-10003	044 104 10003 02	B	3	250VAC RMS	8A	14, 16 & 18	3.38	3.10	2.86	2.66
523-44-104-10004	044 104 10004 02	B	4	250VAC RMS	8A	14, 16 & 18	3.53	3.23	2.98	2.77
523-44-104-10005	044 104 10005 02	B	5	250VAC RMS	8A	14, 16 & 18	2.93	2.68	2.48	2.30
523-44-104-10006	044 104 10006 02	B	6	250VAC RMS	8A	14, 16 & 18	4.15	3.80	3.51	3.26
Plug Housings - Low Insertion Force										
523-44-103-99-899	044 103 99 899	A	2	250VAC RMS	8A	14, 16 & 18	2.12	2.00	1.92	1.83
523-44-103-10302	044 103 10302	A	2	250VAC RMS	8A	14, 16 & 18	1.77	1.62	1.49	1.37
523-44-103-10303	044 103 10303	A	3	250VAC RMS	8A	14, 16 & 18	1.72	1.57	1.44	1.32
523-44-103-10304	044 103 10304	A	4	250VAC RMS	8A	14, 16 & 18	1.92	1.76	1.62	1.48
523-44-103-10305	044 103 10305	A	5	250VAC RMS	8A	14, 16 & 18	2.02	1.84	1.70	1.56
523-44-103-10306	044 103 10306	A	6	250VAC RMS	8A	14, 16 & 18	2.70	2.47	2.27	2.08
Receptacle Housings - Low Insertion Force										
523-44-104-99-899	044 104 99 899	B	2	250VAC RMS	8A	14, 16 & 18	2.00	1.83	1.68	1.54
523-44-104-10302	044 104 10302	B	2	250VAC RMS	8A	14, 16 & 18	1.87	1.71	1.57	1.44
523-44-104-10303	044 104 10303	B	3	250VAC RMS	8A	14, 16 & 18	2.02	1.84	1.70	1.56
523-44-104-10304	044 104 10304	B	4	250VAC RMS	8A	14, 16 & 18	2.25	2.05	1.89	1.73
523-44-104-10305	044 104 10305	B	5	250VAC RMS	8A	14, 16 & 18	2.25	2.05	1.89	1.73
523-44-104-10306	044 104 10306	B	6	250VAC RMS	8A	14, 16 & 18	2.45	2.24	2.06	1.89

Insert Configurations



Contacts - Bag of 100

MOUSER STOCK NO.	Amphenol Part No.	Fig.	Description	Price Per Bag	
				1	5
523-1414P-100	044 100 1414P 100 101	C	Pin Contact for Receptacle	47.55	41.21
523-1414S-100	044 102 1414S 100 101	D	Socket Contact for Plug	89.71	77.75

Contacts - Single

MOUSER STOCK NO.	Amphenol Part No.	Fig.	Description	Price Each		
				1	50	100
523-1414P	044 100 1414P 1000	C	Socket Contact for Plug	.22	.21	.20
523-1414S	044 102 1414S 1000	D	Socket Contact for Plug	.61	.55	.53

Tools

MOUSER STOCK NO.	Amphenol Part No.	Fig.	Description	Price Each
523-357-588	357-588	-	Crimp Tool	371.46
523-356-258	356-258	-	Insertion Tool	113.32
523-356-259	356-259	-	Pin Extractor	113.32

