

PHOENIX CONTACT Industrial Data Connection Systems



RoHS Compliant This product is RoHS compliant.

INDUSTRIAL DATA CONNECTORS

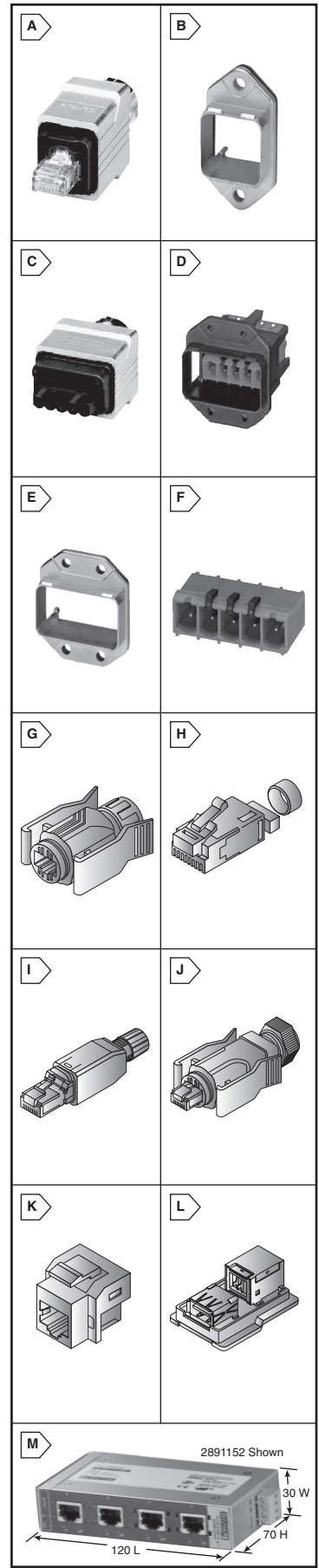
Variosub Push-Pull Ethernet and Power

Features:

- Unique Push-Pull latching/unlatching system
- IP67 Rated when mated
- Available in Metal or Plastic Housings
- Suitable for use in Industrial applications
- Power Connectors utilize Spring Cage Connection

For quantities of 100 and up, call for quote.

MOUSER STOCK NO. Mfr. Mfr. Part No.	Fig.	Phoenix Type	Description	Price Each			
				1	10	25	50
651-1608113	A	VS-PPC-C1-RJ45-MNNA-PG9-8I6	CAT6 IDC RJ45 IP67 Metal Push Pull	16.53	16.18	15.42	14.52
651-1608139	A	VS-PPC-C1-RJ45-POBK-PG9-8I6	CAT6 IDC RJ45 IP67 Plastic Push Pull	13.93	13.27	12.66	11.94
651-1608016	A	VS-PPC-C1-RJ45-MNNA-PG9-8Q5	CAT5e Quickon RJ45 IP67 Metal Push Pull	32.23	30.64	28.76	26.70
651-1657834	A	VS-PPC-C1-RJ45-POBK-PG9-8Q5	CAT5e Quickon RJ45 IP67 Plastic Push Pull	29.61	28.15	26.41	24.53
651-1608029	B	VS-PPC-F1-RJ45-MNNA-1R-PHA	RJ45 Panel Mount Frame, IP67, Metal	3.54	3.36	3.16	2.93
651-1657847	B	VS-PPC-F1-RJ45-POBK-1R-PHA	RJ45 Panel Mount Frame, IP67, Plastic	3.30	3.03	2.79	2.59
651-1653087	-	VS-08-BU-RJ45-6/LH-1	CAT6 RJ45 PCB Socket	6.47	6.15	5.86	5.52
651-1608197	-	VS-PPC-F1-RJ45-POBK-1R-F	RJ45 Panel Mount Frame, Freenet	4.46	4.01	3.63	3.41
651-1608074	C	VS-PPC-C2-MSTB-MNNA-P13-A5-SP	5P MSTB Push Pull 24V, Metal Housing	22.63	21.51	20.19	18.75
651-1657892	C	VS-PPC-C2-MSTB-POBK-P13-A5-SP	5P MSTB Push Pull 24V, Plastic Housing	20.03	19.04	17.87	16.59
651-1608236	C	VS-PPC-C2-MSTB-POBK-P13-B5-SP	5P MSTB Push Pull 400V, Plastic Housing	25.12	23.88	22.76	21.42
651-1608294	D	VS-PPC-F2-MSTB-POBK-1R-SPSA5	MSTB Plastic Pnl Mnt W/ Insert, 24V	17.66	16.79	16.00	15.07
651-1608304	D	VS-PPC-F2-MSTB-POBK-1R-SPSB5	MSTB Plastic Pnl Mnt W/ Insert, 400V	19.13	18.19	17.34	16.31
651-1608087	E	VS-PPC-F2-MSTB-MNNA-1R-P	MSTB Metal Panel Mount Frame	3.28	3.11	2.92	2.71
651-1608281	E	VS-PPC-F2-MSTB-POBK-1R-P	MSTB Plastic Panel Mount Frame	2.68	2.60	2.52	2.45
651-1657915	F	VS-MSTBAH 2.5/ 5-GB-5,08-BK-A	5P 24V MSTB R/A PCB Mount	2.00	1.89	1.78	1.65
651-1609565	F	VS-MSTBAH 2.5/ 5-GB-5,08-BK-A	5P 24V MSTB Straight PCB Mount	2.00	1.89	1.78	1.65
651-1609549	F	VS-MSTBAH 2.5/ 5-GB-5,08-RD-B	5P 400V MSTB R/A PCB Mount (Red)	2.00	1.89	1.81	1.70
651-1609581	F	VS-MSTBAH 2.5/ 5-GB-5,08-RD-B	5P 400V MSTB Straight PCB Mount (Red)	2.34	2.11	1.94	1.79



Variosub RJ45

Industrial ethernet connection for CAT 5 and CAT 6

Features:

- Patented VARIOSUB housing with push/pull locking system
- IP20 or IP67 rated connections for protection from dust, dirt, water
- PCB mount or panel feed thru connections
- Fully shielded inserts

For quantities of 100 and up, call for quote.

MOUSER STOCK NO. Mfr. Mfr. Part No.	Fig.	Phoenix Type	Description	Price Each			
				1	10	25	50
651-1688696	G	VS-08-T-RJ45/IP67	Cat5 RJ45 IP67 Plastic sleeve housing	7.55	7.18	6.84	6.43
651-1652732	G	VS-08-T-H-RJ45/IP67	Cat6 RJ45 IP67 Plastic sleeve housing	7.29	6.93	6.60	6.21
651-1689080	-	VS-08-A-RJ45/MOD-1-IP67	IP67 Panel mount frame for sq panel cutout	3.68	3.49	3.33	3.13
651-1689844	-	VS-08-A-RJ45/MOD-1-R-IP67	IP67 Panel mount frame for round cut-out	5.22	4.96	4.73	4.45
651-1688573	H	VS-08-ST-RJ45	Cat5 RJ45 Male insert, IDC	3.68	3.49	3.33	3.13
651-1658008	I	VS-08-RJ45-5-Q/IP20BK	Cat5 RJ45 Male insert, IDC, w/ IP20 housing	10.74	9.85	9.33	9.10
651-1656990	J	VS-08-RJ45-5-Q/IP67	Cat5 RJ45 Male insert, IDC, w/ IP67 housing	30.04	28.56	27.22	25.62
651-1689064	K	VS-08-BU-RJ45/BU	Cat5 RJ45 Female insert, Fem / Fem	10.01	9.52	9.07	8.54
651-1689459	K	VS-08-BU-RJ45/KA/LSA	Cat5 RJ45 Female insert for cable connection	19.05	18.11	17.26	16.24
651-1653087	K	VS-08-BU-RJ45-6/LH-1	Cat6 RJ45 Female insert for PCB (angled pins)	6.47	6.15	5.86	5.52
651-1689200	-	VS-08-SD	Flat protective cover	5.36	5.09	4.85	4.57
Tooling				1	5		
651-1206696	-	CRIMPFOX-LC	Hand crimp tool without die	276.30	257.89		
651-1207420	-	CRIMPFOX-LC-RJ45S	Die for VS-08-ST-RJ45 male insert	226.38	217.33		

Variosub USB

Features:

- Compatible with USB 2.0
- Transmission rate 480Mbps
- IP67 and IP20 rated connections for protection from dust, dirt, water
- Mates with Phoenix Contact VARIOSUB USB Patch Cables

For quantities of 100 and up, call for quote.

MOUSER STOCK NO. Mfr. Mfr. Part No.	Fig.	Phoenix Type	Description	Price Each			
				1	10	25	50
651-1653744	-	VS-A-F-IP67	IP67 Panel mounting frame for female inserts	4.59	4.18	3.93	3.72
651-1653838	L	VS-04-BUA-BUB-F/IP67	USB-A to USB-B Fem / Fem insert (reversible)	20.82	18.51	17.94	16.99
651-1653854	L	VS-04-BUA-FK-F/IP67	USB-A Female insert for flat-ribbon connection	20.82	18.51	17.94	16.99
651-1653867	L	VS-04-BUB-FK-F/IP67	USB-B Female insert for flat-ribbon connection	20.82	18.51	17.94	16.99

VARIOSUB INDUSTRIAL PATCH CABLES

For quantities of 20 and up, call for quote.

MOUSER STOCK NO. Mfr. Mfr. Part No.	Fig.	Phoenix Type	Description	Price Each			
				1	2	5	10
USB Patch Cables							
651-1653919	-	VS-04-2x2x26C7/7-67B/SdA/2.0	Type B/IP67 - Type A/stand, 2m	63.22	60.11	57.29	53.92
651-1653906	-	VS-04-2x2x26C7/7-67A/SdB/5.0	Type A/IP67 - Type B/stand, 5m	81.60	77.58	73.94	69.60
651-1653922	-	VS-04-2x2x26C7/7-67B/SdA/5.0	Type B/IP67 - TypeA/stand, 5m	81.60	77.58	73.94	69.60
651-1654853	-	VS-04-2X2X26C7/7-SDA/SDB/1.0	Standard Type A-to- Standard Type B, 1m	51.97	49.41	47.10	44.32
651-1653935	-	VS-04-2X2X26C7/7-SDA/SDB/2.0	Standard Type A-to- Standard Type B, 2m	58.70	55.81	53.20	50.06
651-1655797	-	VS-04-2x2x26C7/7-SDA/OE/5.0	Standard Type A-to- open end, 5m	56.24	53.47	50.96	47.96
M12 Ethernet Cables							
651-1657517	-	VS-DSIV-M12FSD/0.5-RJ45	Female M12 to RJ45, .05m	54.13	51.46	49.05	46.17
651-1656767	-	VS-DSIV-M12FSD/2.0-RJ47	Female M12 to RJ45, 2m	62.96	59.86	57.06	53.70
651-1524006	-	SAC-4P-M12MSD/2.0-930	Male M12 to Free End 2m, 4 pos. connector	47.95	43.64	40.53	38.41
651-1543100	-	SAC-8P-M12MS/2.0-940	Male M12 to Free End 2m, 8 pos. connector	44.57	41.69	39.16	36.93
651-1569469	-	SAC-4P-M12MSD/2.0-930/M12MSD	Male M12 to Male M12, 2m, 4 pos. connector	76.50	73.99	70.52	66.37
651-1543184	-	SAC-8P-M12MS/2.0-940/M12MS	Male M12 to Male M12, 2m, 8 pos. connector	75.91	69.88	66.71	62.89
651-1543197	-	SAC-8P-M12MS/5.0-940/M12MS	Male M12 to Male M12, 5m, 8 pos. connector	95.75	88.15	84.14	79.33

SWITCHES



For quantities of 2 and up, call for quote.

MOUSER STOCK NO. Mfr. Mfr. Part No.	Fig.	Phoenix Type	Description	Price Each	
				1	2
Unmanaged Switches					
651-2891152	M	FL Switch SFN 5TX	5 TP-RJ45 ports	99.08	92.48
651-2891929	M	FL Switch SFN 8TX	8 TP-RJ45 ports	159.00	156.69
651-2891851	M	FL Switch SFN 4TX/FX	4 TP-RJ45 ports / 1 Fiber Port	235.18	219.51
Managed Switches					
651-2989226	-	FL Switch SMCS 8TX	8 RJ45 ports, 10/100 Mbps w/ auto negotiation and autocross	899.00	854.00
651-2989323	-	FL Switch SMCS 6TX/2SFP	6 RJ45 / 2 SFP ports, 10/100 Mbps w/ auto negotiation and autocross	1133.00	1076.35

