

# AMP PICMG® Standard Connectors

Tyco Electronics supports AdvancedTCA (ATCA), AdvancedMC (AMC) and MicroTCA (μTCA) PICMG® standards with a full complement of products to meet the wide array of applications and markets where these standard configurations will be used. These products include both the fully compliant interconnects that are specified in the PICMG® standards, as well as additional connectors that product designers need to customize their solutions for their specific markets.

## ADVANCED TCA

### Zone 1 Power Connector

- High conductivity, precision formed contacts
  - Qualified to meet PICMG 3.0, R2.0 specification
  - Precision formed compliant terminations offer excellent retention to provide a reliable connection
- For quantities of 50 and up, call for quote.

MOUSER STOCK NO.	AMP Part No.	Fig.	Description	Price Each			
				1	5	10	25
571-1766500-1	1766500-1	A	Right angle plug	23.25	21.67	19.70	17.72
571-1766501-1	1766501-1	B	Vertical receptacle	15.30	14.26	12.96	11.66

### Zone 2 High Speed Connector

- Designed specifically for high speed differential applications
  - Optimized footprint for improved electrical performance
  - Designed to meet Telcordia requirements
- For quantities of 50 and up, call for quote.

MOUSER STOCK NO.	AMP Part No.	Fig.	Description	Price Each			
				1	5	10	25
571-6469002-1	6469002-1	C	4 Pair vertical header	10.92	10.37	9.87	9.32
571-6469001-1	6469001-1	D	4 Pair right angle receptacle	20.50	19.09	18.66	17.54

### Zone 3 High Speed Connector

- Designed specifically for high speed differential applications
  - Optimized footprint for improved electrical performance
  - Designed to meet Telcordia requirements
- For quantities of 50 and up, call for quote.

MOUSER STOCK NO.	AMP Part No.	Fig.	Description	Price Each			
				1	5	10	25
571-6469048-1	6469048-1	E	4 Pair right angle header	26.56	23.90	22.57	21.24

## ATCA GUIDE MODULES

- Configurations for front board and backplane as well as midplane and coplanar applications in the RTM
  - Vertical and right angle pins to support right angle and coplanar board configurations
  - Guide pins are available in short or long lengths
- For quantities of 200 and up, call for quote.

MOUSER STOCK NO.	AMP Part No.	Fig.	Description	ATCA Name	ATCA Location	Price Each			
						1	25	50	100
571-1469269-2	1469269-2	F	Rear alignment post PCB 3.00 - 4.00	rK1	Backplane	7.37	6.64	6.27	5.90
571-1-1469372-1	1-1469372-1	G	Right angle male, keyed	A2 (RTM)	Rear Transition	4.80	4.25	3.83	3.49
571-1-1469373-1	1-1469373-1	H	Right angle female, keyed	K1/K2	Front Board	4.22	3.80	3.59	3.38
571-9-1469373-9	9-1469373-9	H	Right angle female, unkeyed dummy	K1/K2	Front Board	4.22	3.80	3.59	3.38
571-1469374-1	1469374-1	H	Right angle female	K1/K2	Rear Transition	4.18	3.72	3.35	3.04
571-1-1469387-1	1-1469387-1	G	Vertical male, keyed, short	A1	Backplane	2.75	2.60	2.39	2.24
571-1-1469388-1	1-1469388-1	G	Vertical male, keyed, long	A2	Mid-Plane	4.67	4.20	3.96	3.73

## AMC - ADVANCED MEZZANINE CARD

- Targeted from high-speed differential applications (3.125 Gb/s to 10+ Gb/s)
- Suitable for assembly processes using flat-rock tooling

### Right Angle Card Edge Connector for AMC

For quantities of 50 and up, call for quote.

MOUSER STOCK NO.	AMP Part No.	Fig.	Description	Price Each			
				1	5	10	25
571-3-1367703-2	3-1367703-2	I	B+ with Inserts, with pegs	82.66	78.72	70.85	66.91

## MICRO TCA

- Press-fit connector per MicroTCA.0 specification
- Connector designed so that custom load patterns are easily created
- Single overmolded wafer design
- With wear plate

### Vertical Card Edge Connector for AMC

For quantities of 50 and up, call for quote.

MOUSER STOCK NO.	AMP Part No.	Fig.	Description	Price Each			
				1	5	10	25
571-1-1469820-1	1-1469820-1	J	Without locating posts	31.72	28.55	26.96	25.38
571-1-1469820-2	1-1469820-2	J	With locating posts	33.10	29.79	28.14	26.48

## 1.00MM FREE HEIGHT FOR IEEE-1386

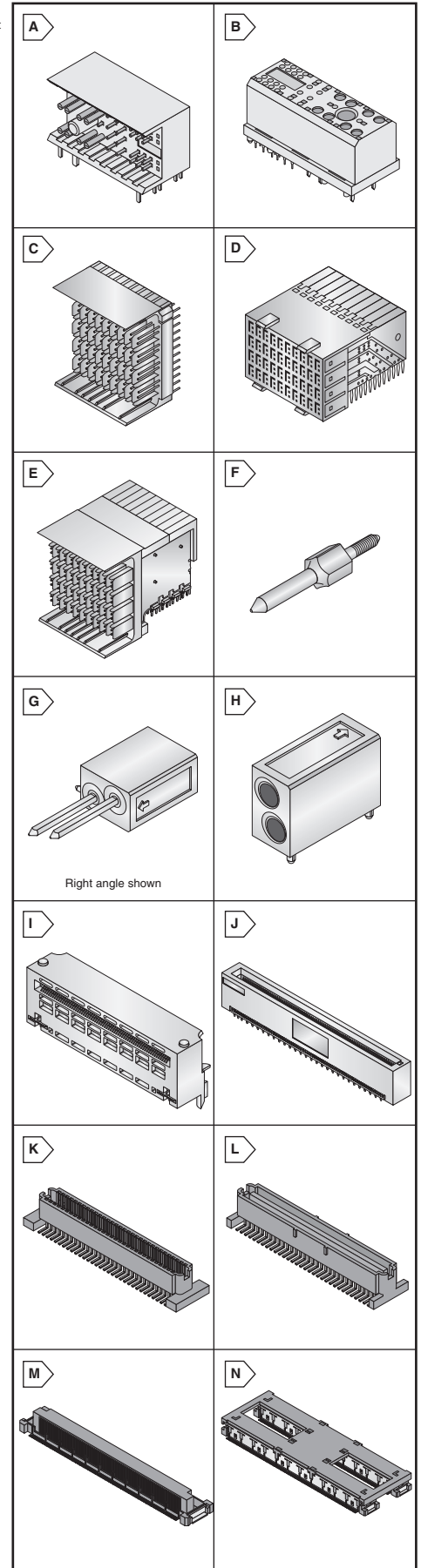
- For board stacking applications
  - Meets EIA-700 AAAB specifications for IEEE 1386 applications
  - High density packaging on 1.0 (.039) centerline spacing
- For quantities of 200 and up, call for quote.

MOUSER STOCK NO.	AMP Part No.	Fig.	Positions	Stack Height	Price Each			
					1	25	50	100
<b>Receptacle</b>								
571-5146893-1	5146893-1	K	64	8mm and 10mm	4.00	3.50	3.08	2.81
<b>Plug</b>								
571-5146888-1	5146888-1	L	64	10mm	6.51	5.42	4.99	4.34

## 0.50MM FREE HEIGHT FOR COM EXPRESS

- Parallel board to stacking for applications that require high density
  - Specified by the PICMG COM Express standard
  - Bridged connectors - Two connectors held together with a carrier
- For quantities of 50 and up, call for quote.

MOUSER STOCK NO.	AMP Part No.	Fig.	Positions	Description	Price Each			
					1	5	10	25
<b>Receptacle</b>								
571-3-6318490-6	3-6318490-6	M	220	Single part	9.40	8.80	8.52	8.08
571-3-1827231-6	3-1827231-6	M	440	Bridged part	20.14	19.20	18.80	18.38
<b>Plug</b>								
571-3-1827253-6	3-1827253-6	N	220	Single part for 5mm stack height	30.24	28.43	25.25	20.78
571-3-1827233-6	3-1827233-6	N	440	Bridged part for 5mm stack height	49.31	43.77	39.79	35.81
571-3-6318491-6	3-6318491-6	N	220	Single part for 8mm stack height	33.28	31.03	28.20	25.38
571-3-5353652-6	3-5353652-6	N	440	Bridged part for 8mm stack height	50.04	46.67	42.43	38.19



Data/Network/Telecom  
AMP