

JOHNSON COMPONENTS RF Connectors

ROHS Compliant This product is RoHS compliant.

Johnson
Connectivity Solutions

EMERSON
Network Power

SMP CONNECTORS

Offers a Micro-Miniature, Slide-on/Snap-on Interconnect System that aids in the design of high-density packaging as well as axial and radial misalignment issues. The SMP interface offers superior performance up to 40GHz and is compatible with all SMP. They offer high electrical reliability where extreme shock and vibration conditions are experienced.

- Shock (specified pulse): MIL-STD-202, Method 213, Condition 1
- Temperature Range: -65°C to +165°C
- Vibration: MIL-STD-202, Condition D
- Phased Arrays
- Communication Equipment
- Satellites
- High Density Modular Packaging
- Axial/Radial Misalignment solutions

For quantities of 500 and up, call for quote.

MOUSER STOCK NO.	Johnson Components Part No.	Fig.	Description	Price Each			
				1	10	25	100
Female							
530-127-0692-001	127-0692-001	A	Straight M17/151 (.047 SR)	9.25	8.10	7.01	6.80
530-127-0693-001	127-0693-001	A	Straight RG 405 (.086 SR)	7.80	7.40	6.99	6.50
530-127-0693-101	127-0693-101	B	Right Angle RG 405 (.086 SR)	10.46	9.71	9.07	8.50
Male							
530-127-0701-201	127-0701-201	C	PC Mount Straight .218 OD .100 Legs Full Detent	9.68	8.99	8.39	7.86
530-127-1701-201	127-1701-201	C	PC Mount Straight .218 OD .100 Legs Limited Detent	8.85	8.39	8.13	7.64
530-127-3701-201	127-3701-201	C	PC Mount Straight .235 OD .100 Legs Catchers Mit	9.68	8.99	8.39	7.86
530-127-0701-801	127-0701-801	D	End Launch Surface Mount Full Detent	9.68	8.99	8.39	7.86
530-127-1701-801	127-1701-801	D	End Launch Surface Mount Limited Detent	9.60	8.61	8.13	7.64
530-127-2701-801	127-2701-801	D	End Launch Surface Mount Smooth Bore	9.68	8.99	8.39	7.86
530-127-2701-602	127-2701-602	E	Shroud 2 Hole Flange .165 Wide Smooth Bore	3.90	3.64	3.40	3.19
Adapters							
530-127-0901-801	127-0901-801	F	Bullet Female to Female .254	7.80	7.00	6.55	6.38
530-127-0901-811	127-0901-811	G	Female to Female .769	11.93	11.17	10.43	9.78

SMP CONNECTOR TOOLING

For quantities greater than listed, call for quote.

MOUSER STOCK NO.	Johnson Components Part No.	Fig.	Description	Price Each	
				1	5
530-127-0000-900	127-0000-900	H	SMP Bullet Extraction Tool	159.55	150.00
530-127-0000-902	127-0000-902	I	SMP Center Contact Holder	9.23	8.57
530-127-0000-904	127-0000-904	J	SMP Right Angle Body Holder	9.23	8.57
530-127-0000-905	127-0000-905	K	SMP FD Shroud Centering Tool	9.23	8.57
530-127-0000-906	127-0000-906	K	SMP LD Shroud Centering Tool	9.23	8.57
530-127-0000-907	127-0000-907	K	SMP SB Shroud Centering Tool	9.23	8.57

SMA EDGE MOUNT CONNECTORS

This End Launch connector is attached to the circuit board by inserting the board edge between the legs and soldering the legs and center conductor to pads on the board.

- Impedance: 50Ω
- Frequency Range: 0-18GHz
- Temperature Range: -65°C to +165°C
- Contact Plating: Gold
- Body: Brass
- MIL-C-39012
- Round contact

For quantities of 500 and up, call for quote.

MOUSER STOCK NO.	Johnson Components Part No.	Fig.	Description	Price Each			
				1	10	25	100
Straight Jack Receptacles							
530-142-0711-811	142-0711-811	L	.062" Board Thickness, Round Contact, .375" Wide, Bulkhead	5.11	4.83	4.54	4.22
530-142-0711-821	142-0711-821	M	.062" Board Thickness, Round Contact, .250" Wide	5.72	5.00	4.50	3.83
530-142-0711-841	142-0711-841	M	.042" Board Thickness, Round Contact, .250" Wide	7.22	6.39	5.11	4.74
530-142-0711-846	142-0711-846	M	.042" Board Thickness, Round Contact, .250" Wide	9.64	8.71	7.64	6.96
530-142-0701-801	142-0701-801	M	.062" Board Thickness, Round Contact, .375" Wide	3.70	3.45	3.17	2.57
530-142-0711-871	142-0711-871	M	.047" Board Thickness, Round Contact, .375" Wide	10.83	9.58	7.66	7.11
530-142-0701-881	142-0701-881	M	.031" Board Thickness, Round Contact, .375" Wide	5.45	4.26	3.82	3.19
530-142-0701-851	142-0701-851	M	.062" Board Thickness, Round Contact, .375" Wide	4.88	4.34	3.89	3.38
530-142-0701-841	142-0701-841	M	.042" Board Thickness, Round Contact, .375" Wide	5.84	5.19	4.70	4.05
530-142-0701-871	142-0701-871	L	.062" Board Thickness, Round Contact, Bulkhead	4.18	3.88	3.55	3.38
530-142-0721-871	142-0721-871	L	.074" Board Thickness, .375" Wide, Bulkhead	15.14	13.39	10.71	9.95

SMA FIXED COMMERCIAL ATTENUATORS

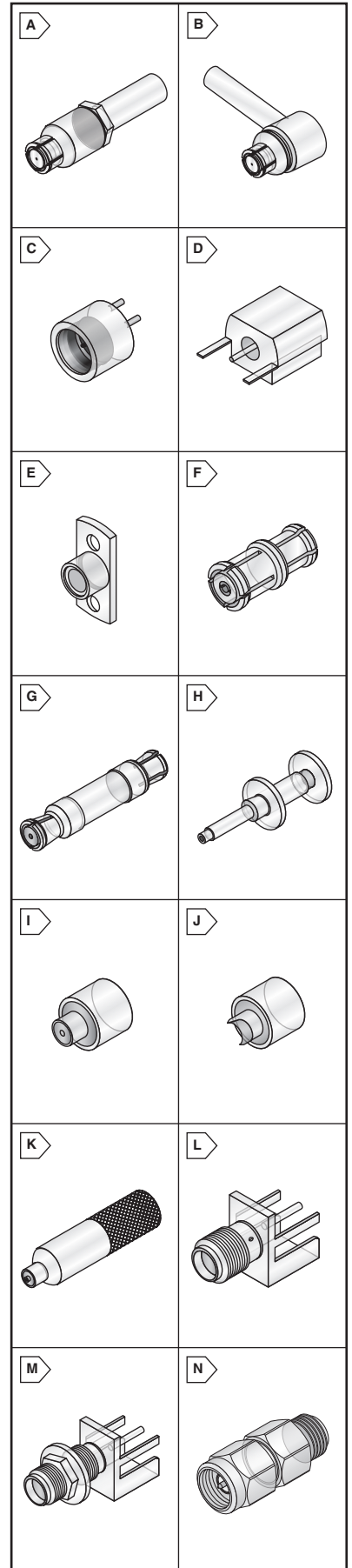
These fixed attenuators offer a rugged stainless steel body, top of the line quality performance and at a competitive price.

Features and Benefits:

- Reduces impedance mismatches in high frequency circuit systems
- Improves impedance match between amplifiers and filters
- Provides isolation needed to stabilize oscillators
- Extends the dynamic range of measuring equipment such as power meters, fixed intensity meters, spectrum analyzers, and amplifiers
- Changes a source or load, which might be reactive, into one which is precisely known and resistive
- Passivated per MIL-F-14-72

For quantities of 500 and up, call for quote.

MOUSER STOCK NO.	Johnson Components Part No.	Fig.	Attenuation (dB Normal)	Frequency Range	Price Each			
					1	10	25	100
530-141-3901-801	141-3901-801	N	1	(0-6Ghz)	20.53	18.67	17.11	14.67
530-141-3901-802	141-3901-802	N	2	(0-6Ghz)	20.53	18.67	17.11	14.67
530-141-3901-803	141-3901-803	N	3	(0-6Ghz)	20.53	18.67	17.11	14.67
530-141-3901-806	141-3901-806	N	6	(0-6Ghz)	20.53	18.67	17.11	14.67
530-141-3901-810	141-3901-810	N	10	(0-6Ghz)	20.53	18.67	17.11	14.67



RF Connectors

Johnson Components