

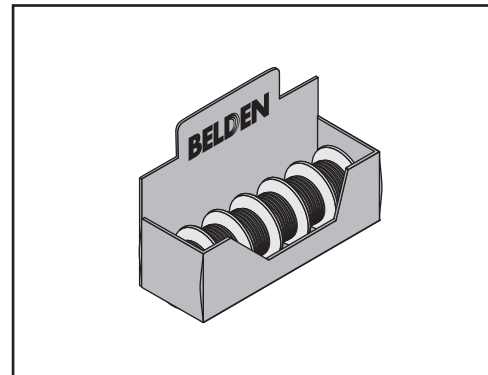
BELDEN Test Prod Wire & Hook-Up Wire Dispenser Kits



This product is RoHS compliant.

BELDEN HOOK-UP WIRE DISPENSER KITS

Great for R and D labs, engineers, servicemen and hobbyists. Kits are available in five 100' spools or eight 25' spools. Each spool is a different color and comes in a portable dispenser rack.



Belden Part No.	Wire	Temp. Rating	Stocked Colors	MOUSER STOCK NO.	100' Spool	
					1	2
9531	22awg (7x30) Stranded Tinned PVC (8524)	80°C	Red, Green, White, Light Blue, Black	566-9531	136.41	129.82
8825	20awg (7x28) Stranded Tinned PVC (8502)	80°C	Red, Green, White, Yellow, Black	566-8825	174.60	165.89

Belden Part No.	Wire	Temp. Rating	Stocked Colors	MOUSER STOCK NO.	25' Spool	
					1	2
8824	20awg (10x30) Stranded Tinned PVC (8523)	80°C	Brown, White, Black, Orange, Green, Red, Light Blue, Yellow	566-8824	122.80	116.86
8816	18awg (16x30) Stranded Tinned PVC (8522)	80°C	Brown, White, Black, Orange, Green, Red, Light Blue, Yellow	566-8816	128.83	122.59

COLOR CODE CHART Colors = Ordering Suffix

Red= 02 Yellow= 04 Green= 05 White= 09 Black= 10 Dk Blue= 13

To order replace ___ with applicable code for color desired

BELDEN TEST PROD WIRE

18AWG Rubber Insulated (5000V, 90°C), Breakdown Voltage 20,000V

- Tinned copper, rubber insulated
- Nominal O.D. (.144)
- Conductor: 18AWG Strand (65x36)



Belden Part No.	MOUSER STOCK NO.	Stocked Colors	Price Per 25' Spool	MOUSER STOCK NO.	Stocked Colors	Price Per 100' Spool	MOUSER STOCK NO.	Stocked Colors	Price Per 500' Spool
8899	566-8899-25-___	02, 10	27.83	566-8899-100-___	02, 04, 05, 09, 10	85.51	566-8899-500-___	02, 05, 10	302.11

18AWG Rubber Insulated (10000V, 90°C), Breakdown Voltage 29,000V

- Tinned copper, rubber insulated
- Nominal O.D. (.229)
- Conductor: 18AWG Strand (65x36)

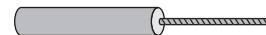


Belden Part No.	MOUSER STOCK NO.	Stocked Colors	Price Per 25' Spool	MOUSER STOCK NO.	Stocked Colors	Price Per 100' Spool	MOUSER STOCK NO.	Stocked Colors	Price Per 500' Spool
8898	-----	----	-----	566-8898-100-___	02, 10	117.25	566-8898-500-___	10	463.94

18AWG PVC Insulated UL AWM Style 1855 (5000V, 80°C)

Tinned copper, PVC insulated. Use test probe leads for electrical and electronic measuring for test equipment.

- Nominal O.D. (.144)
- Conductor: 18AWG Strand (65x36)



Belden Part No.	MOUSER STOCK NO.	Stocked Colors	Price Per 25' Spool	MOUSER STOCK NO.	Stocked Colors	Price Per 100' Spool	MOUSER STOCK NO.	Stocked Colors	Price Per 500' Spool
9899	-----	----	-----	566-9899-100-___	02, 10	71.89	566-9899-500-___	02, 10	282.44

18AWG Rubber Insulated (5000V, 80°C), Breakdown Voltage 20,000V

- Tinned copper, separator, rubber insulated.
- Nominal O.D. (.144)
- Conductor: 18AWG Strand (65x36)



Belden Part No.	MOUSER STOCK NO.	Stocked Colors	Price Per 25' Spool	MOUSER STOCK NO.	Stocked Colors	Price Per 100' Spool	MOUSER STOCK NO.	Stocked Colors	Price Per 500' Spool
8897	-----	----	-----	-----	----	-----	566-8897-500-___	10	449.86

24AWG Rubber Insulated (1000V, 90°C), Breakdown Voltage 10,000V

- Tinned copper, separator, rubber insulated
- Nominal O.D. (.066)
- Conductor: 24AWG Strand (45x40)



Belden Part No.	MOUSER STOCK NO.	Stocked Colors	Price Per 25' Spool	MOUSER STOCK NO.	Stocked Colors	Price Per 100' Spool	MOUSER STOCK NO.	Stocked Colors	Price Per 500' Spool
8890	-----	----	-----	566-8890-100-___	10	57.59	566-8890-500-___	02, 10	236.28

22AWG Stranded Conductor, (17,000 DC) Breakdown Voltage 35,000 DC

Tinned copper, conductive polyethylene over inner conductor provides uniform distribution of voltage stress, polyethylene insulated. PVC jacket in black.

- Nominal O.D. (.120)
- Conductor: 22AWG Strand (7x30)



Belden Part No.	MOUSER STOCK NO.	Stocked Colors	Price Per 25' Spool	MOUSER STOCK NO.	Stocked Colors	Price Per 100' Spool	MOUSER STOCK NO.	Stocked Colors	Price Per 500' Spool
8869	-----	----	-----	-----	----	-----	566-8869-500	10	186.24

BELDEN UL AWM STYLE 3340 AND 3374 600V

Stranded tinned copper conductor

- Stranded tinned copper conductor
- 125°C Flex/150°C No Flex

Belden Part No.	AWG (Strand)	Stocked Colors	Description	MOUSER STOCK NO.	Stocked Colors	Price Per 100' Spool
37118	18 (16x30)	.142	Stranded Conductor	566-37118-500-___	02,05,09,10	130.75
37116	16 (26x30)	.154	Stranded Conductor	566-37116-500-___	02,04,05,10,13	161.83
37114	14 (41x30)	.169	Stranded Conductor	566-37114-500-___	02,10	235.22
37112	12 (65x30)	.190	Stranded Conductor	566-37112-500-___	02,10	328.43
37110	10 (65x28)	.240	Stranded Conductor	566-37110-500-___	10	466.74
37108	8 (84x27)	.327	Separator Over Conductor	566-37108-500-___	10	756.75