

Embedded

Wireless Solutions

Laird Technologies **1**

Embedded Modules

Cymbet **2**

Texas Instruments **2**

AdaptivEnergy **2**

Optoelectronics

Illumination

Tyco Electronics **3, 4**

Semiconductors

Power Management

Silicon Labs **5**

Transient Protection

Bourns **6**

LAIRD TECHNOLOGIES Wireless Modules and Transceivers

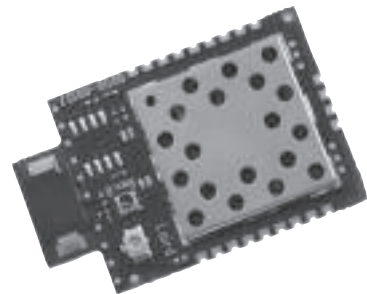


Wireless Solutions

FLEXRF® 2.4GHZ WIRELESS MODULE

2.4GHz OEM Transceiver Family

Laird Technologies' fifth generation 2.4GHz FHSS module sets the standard for industrial RF communication. Based on proprietary FlexRF™ technology, this globally-accepted module will exceed most OEM application and performance requirements. Embedded with Laird Technologies' robust server-client protocol, the LT2510 permits an unlimited number of clients to synchronize to a single server for low latency communications. The server and all clients in a network can communicate with any radio in range via either addressed or broadcast packets. The configuration and test software allows OEMs to design and test networks to suit their applications. Enhanced API commands provide packet routing control and network intelligence. With its field-proven FHSS air interface protocol, the LT2510 rejects RF noise, excels in multipath scenarios, allows for co-located systems, and provides an extremely reliable communication link. It also provides a more robust, but simpler, link than ZigBee for RF applications that do not require a mesh topology. With a throughput of up to 250Kb/s in half-duplex mode, LT2510 delivers speedy data rates. In addition, variable output power options (up to +21dBm) enable communication over distances that aren't achievable with competing technologies. At the same time, a range of ultra-low power modes plus low Tx/Rx power consumption make the LT2510 ideal for power-restrictive or battery-operated applications. The mini SMT package is well-suited for space-constrained designs and is available in pick-and-place packaging for volume manufacturing.

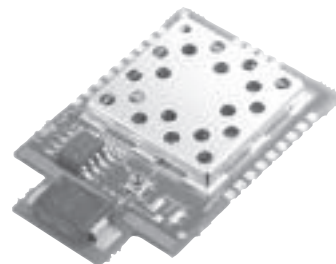


MOUSER STOCK NO.	Laird Tech Part No.	Description	Approved Countries	Price Each	
				1	50
LT2510, Industrial Temperature (-40° to 80°C)					
814-PRM110	PRM110	2.4GHz OEM Transceiver, SMT, 3.3V TTL, 100mW, u.FL Jack	USA	35.50	33.61
814-PRM111	PRM111	2.4GHz OEM Transceiver, SMT, 3.3V TTL, 100mW, Chip Ant	USA	35.50	33.61
814-PRM112	PRM112	2.4GHz OEM Transceiver, SMT, 3.3V TTL, 100mW, u.FL Jack, CE Approved	Worldwide	35.50	33.61
814-PRM113	PRM113	2.4GHz OEM Transceiver, SMT, 3.3V TTL, 100mW, Chip Ant, CE Approved	Worldwide	35.50	33.61
814-PRM120	PRM120	2.4GHz OEM Transceiver, Pluggable, 3.3V TTL, 100mW, u.FL Jack	USA	37.95	35.96
814-PRM121	PRM121	2.4GHz OEM Transceiver, Pluggable, 3.3V TTL, 100mW, Chip Ant	USA	37.95	35.96
814-PRM122	PRM122	2.4GHz OEM Transceiver, Pluggable, 3.3V TTL, 100mW, u.FL Jack, CE Approved	Worldwide	37.95	35.96
814-PRM123	PRM123	2.4GHz OEM Transceiver, Pluggable, 3.3V TTL, 100mW, Chip Ant, CE Approved	Worldwide	37.95	35.96
814-PRM130	PRM130	2.4GHz OEM Transceiver, Pluggable, 3.3V TTL, 100mW, u.FL Jack, AC4424 Size	USA	42.95	40.76
814-PRM132	PRM132	2.4GHz OEM Transceiver, Pluggable, 3.3V TTL, 100mW, Chip Ant, CE Approved AC4424 Size	Worldwide	42.95	40.76
LT2510 Developer Kit & Eval Boards, Industrial Temperature (-40° to 80°C)					
814-DVK-PRM110	DVK-PRM110	LT2510 Developer Kit, SMT, 3.3V TTL, 100mW, u.FL Jack	USA	199.00	-
814-EVB-PRM110-U	EVB-PRM110-U	LT2510 USB Eval Board, SMT, 3.3V TTL, 100mW, u.FL Jack	USA	99.00	-
814-EVB-PRM110-R	EVB-PRM110-R	LT2510 RS232 Eval Board, SMT, 3.3V TTL, 100mW, u.FL Jack	USA	99.00	-
814-DVK-PRM111	DVK-PRM111	LT2510 Developer Kit, SMT, 3.3V TTL Serial, 100mW, Chip Ant	USA	199.00	-
814-EVB-PRM111-U	EVB-PRM111-U	LT2510 USB Eval Board, SMT, 3.3V TTL Serial, 100mW, Chip Ant	USA	99.00	-
814-EVB-PRM111-R	EVB-PRM111-R	LT2510 RS232 Eval Board, SMT, 3.3V TTL Serial, 100mW, Chip Ant	USA	99.00	-
814-DVK-PRM112	DVK-PRM112	LT2510 Developer Kit, SMT, 3.3V TTL, 100mW, u.FL Jack, CE Approved	Worldwide	199.00	-
814-EVB-PRM112-U	EVB-PRM112-U	LT2510 USB Eval Board, SMT, 3.3V TTL, 100mW, u.FL Jack, CE Approved	Worldwide	99.00	-
814-EVB-PRM112-R	EVB-PRM112-R	LT2510 RS232 Eval Board, SMT, 3.3V TTL, 100mW, u.FL Jack, CE Approved	Worldwide	99.00	-
814-DVK-PRM113	DVK-PRM113	LT2510 Developer Kit, SMT, 3.3V TTL Serial, 100mW, Chip Ant, CE Approved	Worldwide	199.00	-
814-EVB-PRM113-U	EVB-PRM113-U	LT2510 USB Eval Board, SMT, 3.3V TTL Serial, 100mW, Chip Ant, CE Approved	Worldwide	99.00	-
814-EVB-PRM113-R	EVB-PRM113-R	LT2510 RS232 Eval Board, SMT, 3.3V TTL Serial, 100mW, Chip Ant, CE Approved	Worldwide	99.00	-
814-DVK-PRM120	DVK-PRM120	LT2510 Developer Kit, Pluggable, 3.3V TTL Serial, 100mW, u.FL Jack	USA	199.00	-
814-DVK-PRM121	DVK-PRM121	LT2510 Developer Kit, Pluggable, 3.3V TTL Serial, 100mW, Chip Ant	USA	199.00	-
814-DVK-PRM122	DVK-PRM122	LT2510 Developer Kit, Pluggable, 3.3V TTL Serial, 100mW, u.FL Jack, CE Approved	Worldwide	199.00	-
814-DVK-PRM123	DVK-PRM123	LT2510 Developer Kit, Pluggable, 3.3V TTL Serial, 100mW, Chip Ant, CE Approved	Worldwide	199.00	-

ZB2430 OEM ZIGBEE TRANSCEIVER FAMILY

Long Range "ZB2430" OEM ZigBee Transceivers (2.4GHz, 3V, 2-100mW)

Based on Texas Instruments' leading edge 802.15.4 SoC & Z-Stack™ technology, ZB2430 is one of the most powerful ZigBee-compliant solutions on the market today. It provides OEMs with industry-leading 2.4GHz module performance in low power conservation, ease of integration, range, features and functionality. ZB2430 is ideal for power-restricted or battery-powered applications. Its receive and powerdown performance offer OEMs the lowest power consumption of any comparable transceiver module. Since it operates in the 2.4GHz ISM band, the module can be used globally—allowing OEMs to standardize on a single platform. Although the IEEE 802.15.4 (PHY & MAC) and ZigBee stack are industry standards, our flexible approach allows OEMs to customize a solution specific to their application needs. With the embedded Z-stack, ZB2430 is aimed squarely at secure, low-power, mesh network applications. Modules are offered as Coordinators, Routers or End Devices. Network scan, remote configuration, dynamic routing, discovery, security... All unleash the full power of ZigBee. The Development Kit platform and test utility allow the OEM to explore the best of ZigBee—straight out of the box.



MOUSER STOCK NO.	Laird Tech Part No.	Description	Approved Countries	Price Each	
				1	50
High Power ZigBee Coordinator					
814-Z100S1AFC	Z100S1AFC	Zigbee Coordinator, SMT, 100mW, OTA, Chip Antenna	Worldwide	28.50	28.00
814-Z100S1UFC	Z100S1UFC	Zigbee Coordinator, SMT, 100mW, OTA, u.FL Jack	Worldwide	29.95	28.32
High Power ZigBee Router					
814-Z100S1AFR	Z100S1AFR	Zigbee Router, SMT, 100mW, OTA, Chip Antenna	Worldwide	28.50	28.00
814-Z100S1UFR	Z100S1UFR	Zigbee Router, SMT, 100mW, OTA, u.FL Jack	Worldwide	29.95	28.32
High Power ZigBee End Device					
814-Z100S1AFE	Z100S1AFE	Zigbee End Device, SMT, 100mW, OTA, Chip Antenna	Worldwide	28.50	28.00
814-Z100S1UFE	Z100S1UFE	Zigbee End Device, SMT, 100mW, OTA, u.FL Jack	Worldwide	29.95	28.32
High Power ZigBee Developer Kits - Surface Mount Package					
814-EVB-Z100S1AFC	EVB-Z100S1AFC	Zigbee Eval Board Coordinator-USB, 100mW, OTA, SMT, Chip Ant	Worldwide	99.00	-
814-EVB-Z100S1AFC-2	EVB-Z100S1AFC-2	Zigbee Eval Board Coordinator-RS232, 100mW, OTA, SMT, Chip Ant	Worldwide	99.00	-
814-EVB-Z100S1UFC	EVB-Z100S1UFC	Zigbee Eval Board Coordinator-USB, 100mW, OTA, SMT, u.FL Jack	Worldwide	99.00	-
814-EVB-Z100S1AFC-2	EVB-Z100S1AFC-2	Zigbee Eval Board Coordinator-RS232, 100mW, OTA, SMT, u.FL Jack	Worldwide	99.00	-
814-EVB-Z100S1AFR	EVB-Z100S1AFR	Zigbee Eval Board Router-RS232, 100mW, OTA, SMT, Chip Ant	Worldwide	99.00	-
814-EVB-Z100S1UFR	EVB-Z100S1UFR	Zigbee Eval Board Router-RS232, 100mW, OTA, SMT, u.FL Jack	Worldwide	99.00	-
814-EVB-Z100S1AFE	EVB-Z100S1AFE	Zigbee Eval Board End Device-RS232, 100mW, OTA, SMT, Chip Ant	Worldwide	99.00	-
814-EVB-Z100S1UFE	EVB-Z100S1UFE	Zigbee Eval Board End Device-RS232, 100mW, OTA, SMT, Chip Ant	Worldwide	99.00	-
2.4 GHz Accessories					
814-0650-00005	0650-00005	Power Supply, 7.5 VDC, 1.5 A, Sw. Reg., 100 - 240 VAC input	Worldwide	20.00	19.25
2.4 GHz Antennas & Cables					
814-0600-00040	0600-00040	S181FL-6-PX-2450S, 1/2 wave, 5", 2dBi, RA, u.FL plug	Worldwide	10.65	-
814-0600-00014	0600-00014	S181AH-2450S, 1/2 wave, 5", 2dBi, RA, RPSMA	Worldwide	13.42	13.15
814-0600-00039	0600-00039	S151FL-5-PX-2450S, 7", 5dBi, RA, u.FL plug	Worldwide	10.65	-
814-0600-00010	0600-00010	S151AH-2450S, 7", 5dBi, RA, RPSMA	Worldwide	14.64	14.25



NEW TECHNOLOGY

Energy Harvesting Modules and Kits

Embedded Modules

CYMBET™ CORPORATION ENERCHIP™ EH ENERGY HARVESTING MODULE

The EnerChip EH CBC5300 is a self-contained Energy Harvesting power module in a 24-pin DIP configuration. The CBC5300 module is designed to accept a wide range of energy transducer inputs, store the harvested power, and deliver managed power to the target system. The purpose of this module is to enable system designers to quickly develop Energy Harvesting applications.

For quantities of 250 and up, call for quote.

MOUSER STOCK NO.	Cymbet Part No.	Fig.	Parasitic Load Current (Typ.)		VOUT , 2µA Load Battery charged (Typ.)	Vin Operating Voltage Range	VBAT Charging 25°C (Typical)	Battery Cutoff 4.7kΩ load (Typical)	Price Each			
			Boost Conv. Off	Boost Conv. On					1	10	25	100
722-CBC5300-24C	CBC5300-24C	A	800nA	20µA	3.55 V	0.25 - 4 V	4.06 V	3.3 V	35.95	31.95	28.95	27.50

CYMBET™ CORPORATION EVALUATION KITS

EnerChip™ CC CBC3112 & CBC3150 Evaluation Kit

The EnerChip CC EVAL-05 Evaluation Kit is used to demonstrate the capabilities of the EnerChip Thin Film Batteries and the EnerChip CC with Integrated Battery Management capabilities.

The kit can be used to demonstrate:
 1) either EnerChip battery, 2) either EnerChip CC device or 3) the EnerChip CC in parallel with the other EnerChip battery

EnerChip™ EH Solar Energy Harvester Evaluation Kit

CBC-EVAL-08 is a demonstration kit combining a solar panel energy transducer with the CBC5300 EnerChip EH module having two 50µAh EnerChip batteries connected in parallel. The EnerChips provide storage and starting power for the energy harvesting module. The purpose of this demonstration platform is to enable designers to quickly develop Energy Harvesting applications.

For quantities of 100 and up, call for quote.

MOUSER STOCK NO.	Cymbet Part No.	Fig.	Description	Price Each		
				1	10	25
722-CBC-EVAL-05	CBC-EVAL-05	B	EnerChip CC Evaluation Kit	29.95	28.95	27.95
722-CBC-EVAL-08	CBC-EVAL-08	C	EnerChip Solar Energy Harvesting Demo Kit	119.95	117.95	115.95

TEXAS INSTRUMENTS Authorized Distributor EZ430-RF2500-SHE DEVELOPMENT TOOL

The eZ430-RF2500 is a complete wireless development tool for the MSP430 and CC2500 that includes all the hardware and software required to develop an entire wireless project with the MSP430 in a convenient USB stick. The tool includes a USB-powered emulator to program and debug your application in-system and two 2.4-GHz wireless target boards featuring the highly integrated MSP430F2274 ultra-low-power MCU.

The Texas Instruments eZ430-RF2500-SHE Development Tool featuring the Cymbet CBC-EVAL-08 EnerChip™ EH Solar Energy Harvesting Evaluation Kit helps designers create a perpetually powered wireless sensor network based on the ultra-low-power MSP430 microcontroller (MCU).

MOUSER STOCK NO.	TI Part No.	Fig.	Description	Price Each
				55.80
595-EZ430-RF2500	EZ430-RF2500	-	2.4 GHZ MSP430 Wireless Development Tool	55.80

AdaptivEnergy ENERGY HARVESTING DEMONSTRATION KITS AND MODULES

AdaptivEnergy is the leading developer and supplier of piezo-based energy harvesting DC power supplies to enable self-sustaining microelectronics. Their ruggedized, maintenance-free Joule-Thief™ products capture ambient mechanical energy and convert it to power many applications including wireless sensing, structural health monitoring, and RFID. AdaptivEnergy offers dependable power --no more wires or battery servicing -- to make possible a new generation of intelligent green solutions.

Joule-Thief™ Demonstration Kits

Joule-Thief™ is a miniature vibratory energy harvesting module ideal for battery extension or replacement in wireless sensing and other low power applications. Built on AdaptivEnergy's Powered by RLP™ technology platform, this kit demonstrates battery-less wireless transmissions from a 60Hz vibratory source to a USB-based receiver.

MOUSER STOCK NO.	AdaptivEnergy Part No.	Fig.	Description	Price Each	
				1	5
740-K1-JTF050-E5	K1-JTF050-e5	-	50Hz Resonance Joule-Thief™ Energy Harvesting Demonstration Kit	699.00	649.00
740-K1-JTF060-E5	K1-JTF060-e5	-	60Hz Resonance Joule-Thief™ Energy Harvesting Demonstration Kit	699.00	649.00

Random Vibration Demonstration Kit

AdaptivEnergy's Joule-Thief™ energy harvesting power supplies convert ambient mechanical energy, such as vibration and impact events, into a standard DC voltage output. The Random Vibration Demonstration Kit includes everything you need to evaluate the JTRA-e5mini energy harvesting module within your vibration environment. This includes an example self-sustaining microelectronics application with wireless sensors and Texas Instruments' low power MSP430 Wireless Development Tool.

MOUSER STOCK NO.	AdaptivEnergy Part No.	Fig.	Description	Price Each	
				1	5
740-K1-JTRA-E5MINI	K1-JTRA-e5mini	D	Random Vibration Energy Harvesting Demonstration Kit	699.00	649.00

Joule-Thief™ Modules

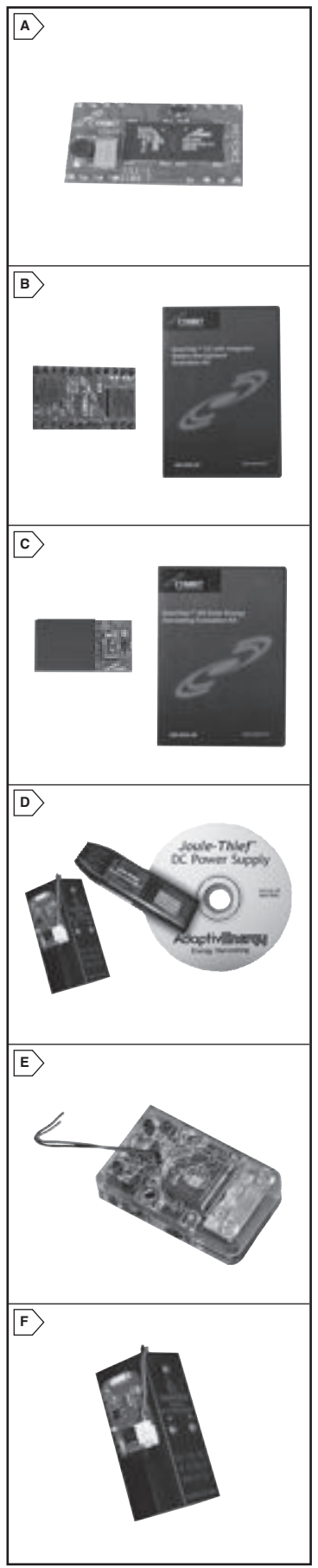
- Specifications:**
- 50, 60, or 120 Hz RLP® Smart Energy Beam™ Standard
 - Capacitive or Li-Ion Battery Storage
 - Efficient Energy Key™ Collection Electronics
 - Standard 3.6V DC Voltage Output
 - Easily mounted with embedded magnets or fasteners
 - Energy collected is dependant on frequency and amplitude of vibration source

MOUSER STOCK NO.	AdaptivEnergy Part No.	Fig.	Description	Price Each		
				1	10	50
740-JTF050-E5	JTF050-e5	E	50Hz Resonance Joule-Thief™ Energy Harvester DC Power Supply	399.00	349.00	299.00
740-JTF060-E5	JTF060-e5	E	60Hz Resonance Joule-Thief™ Energy Harvester DC Power Supply	399.00	349.00	299.00
740-JTF120-E5	JTF120-e5	E	120Hz Resonance Joule-Thief™ Energy Harvester DC Power Supply	399.00	349.00	299.00

Random Vibration Joule-Thief™

AdaptivEnergy's Joule-Thief™ energy harvesting power supplies convert ambient mechanical energy, such as vibration and impact events, into a standard DC voltage output. The JTRA-e5mini Random Vibration Joule-Thief™ module is an ideal solution for self-sustaining low power microelectronics such as wireless sensing and active RFID. Joule-Thief™'s stress-engineered Smart Energy Beam™ produces more power per unit volume than any other piezo-based energy harvesting technology available. AdaptivEnergy's highly efficient Energy Key™ electronics are integrated into the Random Vibration module, resulting in a very compact energy harvester with a 2-wire interface to your application.

MOUSER STOCK NO.	AdaptivEnergy Part No.	Fig.	Description	Price Each		
				1	10	50
740-JTRA-E5MINI	JTRA-e5mini	F	Random Vibration Joule-Thief™ Energy Harvester DC Power Supply	399.00	349.00	299.00



NEW TECHNOLOGY NEW TECHNOLOGY NEW TECHNOLOGY

TYCO ELECTRONICS Lighting Connectors



RoHS Compliant This product is RoHS compliant.

Authorized Distributor

HERMAPHRODITIC BLADE AND RECEPTACLE CONNECTORS

Features:

- Available in 2, 4, and 6 Positions
- Connector Mates to Itself
- Single Part to be Stocked and Placed onto PCB per Position
- Connector Mates and Unmates Horizontally and Vertically -3 Axis Mating
- Connector can be Articulated from 90° to 180°
- Solder Pad Footprint Compatible with Tyco Electronics SMT Poke-In LED Connector
- Redundant SMT Pads

Applications:

- LED Lighting Modules
- Incandescent Lighting Strips
- Channel Lettering



RoHS Compliant

Board to Board

For quantities of 200 and up, call for quote.

MOUSER STOCK NO.	Tyco Electronics Part No.	Fig.	No. of Positions	Color	Price Each		
					1	25	100
Without Latches							
571-1954289-1	1954289-1	A	2	White	.87	.752	.602
571-1-1954289-1	1-1954289-1	A	2	Black	.87	.752	.602
571-1954289-2	1954289-2	A	4	White	1.72	1.47	1.18
571-1-1954289-2	1-1954289-2	A	4	Black	1.72	1.47	1.18
571-1954289-3	1954289-3	A	6	White	2.29	1.96	1.57
571-1-1954289-3	1-1954289-3	A	6	Black	2.29	1.96	1.57
With Latches							
571-2058703-1	2058703-1	B	2	White	.70	.636	.573
571-1-2058703-1	1-2058703-1	B	2	Black	.70	.636	.573
571-2058703-2	2058703-2	B	4	White	1.40	1.27	1.14
571-1-2058703-2	1-2058703-2	B	4	Black	1.40	1.27	1.14
571-2058703-3	2058703-3	B	6	White	1.91	1.74	1.57
571-1-2058703-3	1-2058703-3	B	6	Black	1.91	1.74	1.57
Dust Covers							
571-2058128-1	2058128-1	C	2	White	.34	.307	.276
571-2058128-2	2058128-2	C	4	White	.41	.373	.336
571-2058128-3	2058128-3	C	6	White	.41	.373	.336

Wire to Board

For quantities of 200 and up, call for quote.

MOUSER STOCK NO.	Tyco Electronics Part No.	Fig.	No. of Positions	Color	Price Each		
					1	25	100
571-2058299-1	2058299-1	D	2	White	.35	.321	.289
571-1-2058299-1	1-2058299-1	D	2	Black	.35	.321	.289
571-2058299-2	2058299-2	D	4	White	.36	.329	.296
571-1-2058299-2	1-2058299-2	D	4	Black	.36	.329	.296
571-2058299-3	2058299-3	D	6	White	.37	.337	.303
571-1-2058299-3	1-2058299-3	D	6	Black	.37	.337	.303

Contacts

For quantities of 200 and up, call for quote.

MOUSER STOCK NO.	Tyco Electronics Part No.	Fig.	Description	Price Each		
				1	25	100
571-2058301-2	2058301-2	E	Blade Contact	.20	.156	.14
571-2058302-2	2058302-2	F	Socket Contact	.21	.164	.148

Hand Tool

For quantities of 200 and up, call for quote.

MOUSER STOCK NO.	Tyco Electronics Part No.	Description	Price Each
571-2063778-1	2063778-1	Pro Crimper III with Die 22-18 AWG	976.50

INVERTED SMT THRU BOARD CONNECTORS

Features:

- Eliminates wire dress management issues with discreet wire leads around the surface of the LED pc board
- Accepts 2 thru 6 Position TE Mini CT connector
- Low profile design
- Rounded corners to minimize shadowing
- Surface mount hold downs provide stability during mating and unmating

Applications:

- LED lighting controls
- Indoor and outdoor lighting fixtures
- General LED illumination fixtures
- Various non-lighting applications that require wire dress connections below the pc board



RoHS Compliant

Connectors

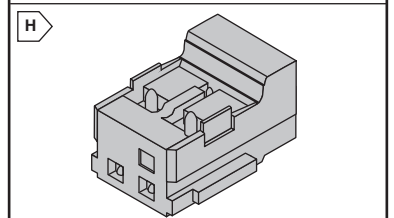
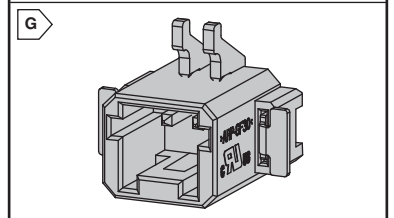
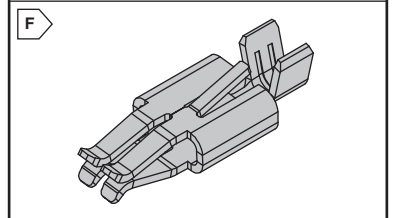
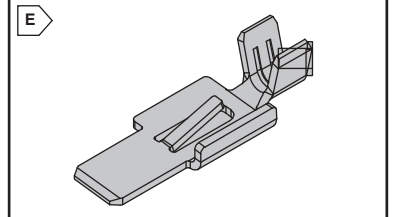
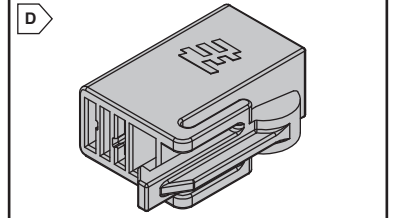
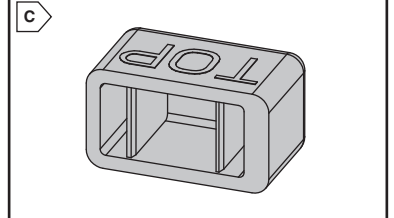
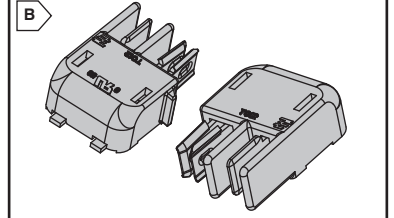
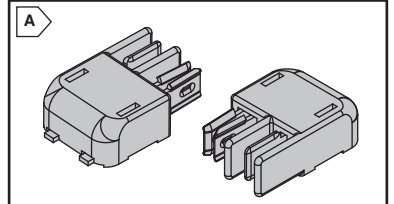
For quantities of 200 and up, call for quote.

MOUSER STOCK NO.	Tyco Electronics Part No.	Fig.	No. of Positions	Price Each		
				1	25	100
571-2106091-1	2106091-1	G	2	.99	.825	.66
571-2106091-2	2106091-2	G	3	1.08	.90	.72
571-2106091-3	2106091-3	G	4	1.29	1.07	.86
571-2106091-4	2106091-4	G	5	1.47	1.22	.98
571-2106091-5	2106091-5	G	6	1.65	1.37	1.10


Mini CT Cable Assemblies

For quantities of 200 and up, call for quote.

MOUSER STOCK NO.	Tyco Electronics Part No.	Fig.	No. of Positions	Price Each		
				1	25	100
571-2058943-1	2058943-1	H	2	.73	.662	.596
571-2058943-2	2058943-2	H	3	.87	.787	.708
571-2058943-3	2058943-3	H	4	.99	.903	.813
571-2058943-4	2058943-4	H	5	1.17	1.06	.955
571-2058943-5	2058943-5	H	6	1.29	1.18	1.06



TYCO ELECTRONICS Lighting Connectors Tyco Electronics

 This product is RoHS compliant.

Authorized Distributor

“STAR BOARD” LED PIXEL HOLDER

Features:

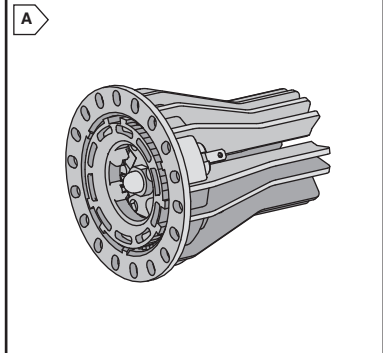
- Design combines thermal and electrical connections to the hexagonal “Star” LED board configurations
- Versatility in mounting monochromatic and RGB “Star” LEDs without the need for solder
- Standard 110 FASTON Receptacle quick connects for easy Class 2 power wiring
- LED Holder allows for replacement of the star board after installation
- Accommodates star board thicknesses in the range of 1.0mm to 2.5mm



RoHS Compliant

For quantities of 200 and up, call for quote.

MOUSER STOCK NO.	Tyco Electronics Part No.	Fig.	Description	Price Each		
				1	10	100
571-2008675-1	2008675-1	A	LED Holder Kit (includes contact carrier, locking ring and heat sink)	16.09	12.51	10.01
571-2008671-1	2008671-1	-	Optional Diffuser Lens	2.54	1.97	1.58
571-2058329-1	2058329-1	-	Optional Thermal Interface Pad	.40	.32	.26



SMT AND THRU-HOLE POKE-IN WIRE LIGHTING CONNECTORS

Features:

- Tape & Reel Packaging for High Speed SMT Processes
- RoHS Compliant Redundant SMT Pads Prevents Peeling
- Rounded Corners to Minimize Shadowing
- Side to Side Stackable with Pads on 4mm Centers
- Accepts 18, 20, 22 AWG Solid Wire; 18, 20 AWG Prebond Stranded; 18 AWG Stranded (16 Strands Only)
- Cost Effective Alternative to Hand Soldering Wires
- Low profile Design
- Flat Top Surface Allows for Vacuum Pick Up
- High Temperature Material for Reflow Processing

Applications:

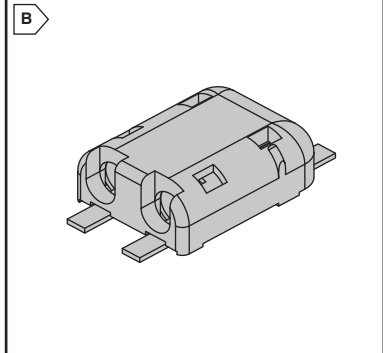
- Lighting Controls
- Interconnecting Strings of Printed Circuit LED Light Modules



RoHS Compliant

For quantities of 200 and up, call for quote.

MOUSER STOCK NO.	Tyco Electronics Part No.	Fig.	No. of Positions	Color	Price Each		
					1	25	100
Standard							
571-2008563-1	2008563-1	B	1	SMT, white	.55	.50	.354
571-1954097-1	1954097-1	B	2	SMT, white	.56	.52	.47
571-2008839-1	2008839-1	C	1	Thru-Hole, white	.58	.526	.372
571-2008839-2	2008839-2	C	1	Thru-Hole, black	.50	.46	.411
571-2008106-1	2008106-1	C	2	Thru-Hole, white	.87	.78	.555
Standard, Gel-Filled							
571-2008994-1	2008994-1	B	1	SMT, white	.58	.531	.48
571-1954785-1	1954785-1	B	2	SMT, white	.73	.665	.598
571-2008995-1	2008995-1	C	1	Thru-Hole, white	.61	.552	.50
571-2008996-1	2008996-1	C	2	Thru-Hole, white	.84	.768	.69



LIGHT-N-LOK™ CONNECTORS

Features:

- Available in 2 and 3 position sizes
- Poke-in termination for 18 AWG solid wire for easy tool-less, field or factory installation
- Integral strain-relief prevents inadvertent wire twist out and pull out
- Designed for hot plugging
- Snag-resistant rounded housings
- Connector latches prevent unintentional disconnect

Applications:

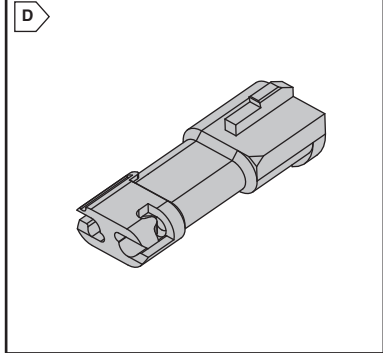
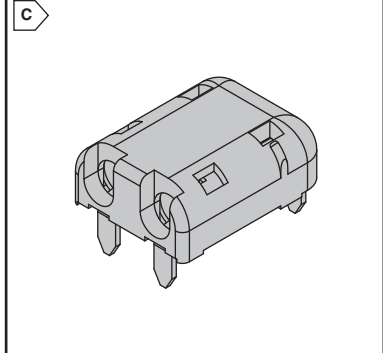
- Commercial lighting applications for UL2459
- Hot-pluggable interconnect for fluorescent ballast applications
- Meets new NEC and CEC requirements



RoHS Compliant

For quantities of 200 and up, call for quote.

MOUSER STOCK NO.	Tyco Electronics Part No.	Fig.	No. of Positions	Description	Price Each		
					1	25	100
571-2008144-1	2008144-1	D	2	Mated Pair, Plug & Receptacle	1.06	.96	.68
571-2008152-1	2008152-1	D	3	Mated Pair, Plug & Receptacle	1.44	1.30	.925



IDC POKE-IN WIRE TAP/SPLICE

Features:

- Tap termination allows feed-through in 12 AWG (solid or stranded) or 18 AWG THHN/THWN wire
- Splice poke-in accommodates two (2) pre-stripped 18 AWG solid wires
- Cost effective termination system for installation of ballast lighting systems

Applications:

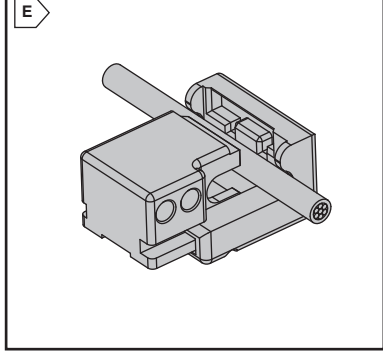
- Commercial Ballast Lighting System



RoHS Compliant

For quantities of 200 and up, call for quote.

MOUSER STOCK NO.	Tyco Electronics Part No.	Fig.	Description	Price Each		
				1	25	100
571-1811027-1	1811027-1	E	Brown, 12 AWG Tap Connector	.50	.454	.321
571-1811027-2	1811027-2	E	Blue, 18 AWG Tap Connector	.43	.39	.27



SILICON LABS Digital Isolators and POE



ISOPRO UNIDIRECTIONAL DIGITAL ISOLATORS

For quantities of 250 and up, call for quote.

MOUSER STOCK NO.	Silicon Labs Part No.	Package	Forward Data Channels	Reverse Data Channels	Max. Data Rate (Mbps)	Insulation Rating	Default Output State	Temp. Range (°C)	Price Each			
									1	25	50	100
1.0kV												
634-SI8440AA-C-IS1	SI8440AA-C-IS1	NB SOIC-16	4	0	1	1.0kV	L	-40 to +125	2.38	1.89	1.81	1.73
634-SI8440BA-C-IS1	SI8440BA-C-IS1	NB SOIC-16	4	0	150	1.0kV	L	-40 to +125	3.48	2.77	2.65	2.53
634-SI8441AA-C-IS1	SI8441AA-C-IS1	NB SOIC-16	3	1	1	1.0kV	L	-40 to +125	2.38	1.89	1.81	1.73
634-SI8441BA-C-IS1	SI8441BA-C-IS1	NB SOIC-16	3	1	150	1.0kV	L	-40 to +125	3.48	2.77	2.65	2.53
634-SI8442AA-C-IS1	SI8442AA-C-IS1	NB SOIC-16	2	2	1	1.0kV	L	-40 to +125	2.38	1.89	1.81	1.73
634-SI8442BA-C-IS1	SI8442BA-C-IS1	NB SOIC-16	2	2	150	1.0kV	L	-40 to +125	3.48	2.77	2.65	2.53
634-SI8445BA-C-IS1	SI8445BA-C-IS1	NB SOIC-16	4	0	150	1.0kV	L	-40 to +125	3.48	2.77	2.65	2.53
634-SI8450AA-A-IS1	SI8450AA-A-IS1	NB SOIC-16	5	0	1	1.0kV	L	-40 to +125	2.66	2.12	2.03	1.94
634-SI8450BA-A-IS1	SI8450BA-A-IS1	NB SOIC-16	5	0	150	1.0kV	L	-40 to +125	3.92	3.12	2.99	2.85
634-SI8451AA-A-IS1	SI8451AA-A-IS1	NB SOIC-16	4	1	1	1.0kV	L	-40 to +125	2.66	2.12	2.03	1.94
634-SI8451BA-A-IS1	SI8451BA-A-IS1	NB SOIC-16	4	1	150	1.0kV	L	-40 to +125	3.92	3.12	2.99	2.85
634-SI8452AA-A-IS1	SI8452AA-A-IS1	NB SOIC-16	3	2	1	1.0kV	L	-40 to +125	2.66	2.12	2.03	1.94
634-SI8452BA-A-IS1	SI8452BA-A-IS1	NB SOIC-16	3	2	150	1.0kV	L	-40 to +125	3.92	3.12	2.99	2.85
634-SI8460AA-A-IS1	SI8460AA-A-IS1	NB SOIC-16	6	0	1	1.0kV	L	-40 to +125	2.97	2.36	2.27	2.16
634-SI8460BA-A-IS1	SI8460BA-A-IS1	NB SOIC-16	6	0	150	1.0kV	L	-40 to +125	4.38	3.48	3.34	3.18
634-SI8461AA-A-IS1	SI8461AA-A-IS1	NB SOIC-16	5	1	1	1.0kV	L	-40 to +125	2.97	2.36	2.27	2.16
634-SI8461BA-A-IS1	SI8461BA-A-IS1	NB SOIC-16	5	1	150	1.0kV	L	-40 to +125	4.38	3.48	3.34	3.18
634-SI8462AA-A-IS1	SI8462AA-A-IS1	NB SOIC-16	4	2	1	1.0kV	L	-40 to +125	2.97	2.36	2.27	2.16
634-SI8462BA-A-IS1	SI8462BA-A-IS1	NB SOIC-16	4	2	150	1.0kV	L	-40 to +125	4.38	3.48	3.34	3.18
634-SI8463AA-A-IS1	SI8463AA-A-IS1	NB SOIC-16	3	3	1	1.0kV	L	-40 to +125	2.97	2.36	2.27	2.16
634-SI8463BA-A-IS1	SI8463BA-A-IS1	NB SOIC-16	3	3	150	1.0kV	L	-40 to +125	4.38	3.48	3.34	3.18
2.5kV												
634-SI8410AB-C-IS	SI8410AB-C-IS	NB SOIC-8	1	0	1	2.5kV	L	-40 to +125	2.46	1.17	1.11	1.08
634-SI8410BB-C-IS	SI8410BB-C-IS	NB SOIC-8	1	0	150	2.5kV	L	-40 to +125	1.14	1.71	1.62	1.43
634-SI8420AB-C-IS	SI8420AB-C-IS	NB SOIC-8	2	0	1	2.5kV	L	-40 to +125	1.51	1.21	1.14	1.01
634-SI8420BB-C-IS	SI8420BB-C-IS	NB SOIC-8	2	0	150	2.5kV	L	-40 to +125	2.18	1.75	1.65	1.46
634-SI8421AB-C-IS	SI8421AB-C-IS	NB SOIC-8	1	1	1	2.5kV	L	-40 to +125	1.51	1.21	1.14	1.01
634-SI8421BB-C-IS	SI8421BB-C-IS	NB SOIC-8	1	1	150	2.5kV	L	-40 to +125	2.18	1.75	1.65	1.46
634-SI8430AB-C-IS	SI8430AB-C-IS	WB SOIC-16	3	0	1	2.5kV	L	-40 to +125	2.16	1.73	1.63	1.44
634-SI8430AB-C-IS1	SI8430AB-C-IS1	NB SOIC-16	3	0	1	2.5kV	L	-40 to +125	1.96	1.56	1.50	1.42
634-SI8430BB-C-IS	SI8430BB-C-IS	WB SOIC-16	3	0	150	2.5kV	L	-40 to +125	3.24	2.59	2.45	2.16
634-SI8430BB-C-IS1	SI8430BB-C-IS1	NB SOIC-16	3	0	1	2.5kV	L	-40 to +125	3.01	2.40	2.30	2.19
634-SI8431AB-C-IS	SI8431AB-C-IS	WB SOIC-16	2	1	1	2.5kV	L	-40 to +125	2.16	1.73	1.63	1.44
634-SI8431AB-C-IS1	SI8431AB-C-IS1	NB SOIC-16	2	1	1	2.5kV	L	-40 to +125	1.96	1.56	1.50	1.42
634-SI8431BB-C-IS	SI8431BB-C-IS	WB SOIC-16	2	1	150	2.5kV	L	-40 to +125	3.24	2.59	2.45	2.16
634-SI8431BB-C-IS1	SI8431BB-C-IS1	NB SOIC-16	2	1	150	2.5kV	L	-40 to +125	3.01	2.40	2.30	2.19
634-SI8435BB-C-IS	SI8435BB-C-IS	WB SOIC-16	3	0	150	2.5kV	L	-40 to +125	3.24	2.59	2.45	2.16
634-SI8435BB-C-IS1	SI8435BB-C-IS1	NB SOIC-16	3	0	150	2.5kV	L	-40 to +125	3.01	2.40	2.30	2.19
634-SI8440AB-C-IS	SI8440AB-C-IS	WB SOIC-16	4	0	1	2.5kV	L	-40 to +125	2.70	2.16	2.04	1.80
634-SI8440AB-C-IS1	SI8440AB-C-IS1	NB SOIC-16	4	0	1	2.5kV	L	-40 to +125	2.49	1.98	1.90	1.81
634-SI8440BB-C-IS	SI8440BB-C-IS	WB SOIC-16	4	0	150	2.5kV	L	-40 to +125	3.89	3.11	2.94	2.60
634-SI8440BB-C-IS1	SI8440BB-C-IS1	NB SOIC-16	4	0	150	2.5kV	L	-40 to +125	3.65	2.91	2.79	2.66
634-SI8441AB-C-IS	SI8441AB-C-IS	WB SOIC-16	3	1	1	2.5kV	L	-40 to +125	2.70	2.16	2.04	1.80
634-SI8441AB-C-IS1	SI8441AB-C-IS1	NB SOIC-16	3	1	1	2.5kV	L	-40 to +125	2.49	1.98	1.90	1.81
634-SI8441BB-C-IS	SI8441BB-C-IS	WB SOIC-16	3	1	150	2.5kV	L	-40 to +125	3.89	3.11	2.94	2.60
634-SI8441BB-C-IS1	SI8441BB-C-IS1	NB SOIC-16	3	1	150	2.5kV	L	-40 to +125	3.65	2.91	2.79	2.66
634-SI8442AB-C-IS	SI8442AB-C-IS	WB SOIC-16	2	2	1	2.5kV	L	-40 to +125	2.70	2.16	2.04	1.80
634-SI8442AB-C-IS1	SI8442AB-C-IS1	NB SOIC-16	2	2	1	2.5kV	L	-40 to +125	2.49	1.98	1.90	1.81
634-SI8442BB-C-IS	SI8442BB-C-IS	WB SOIC-16	2	2	150	2.5kV	L	-40 to +125	3.89	3.11	2.94	2.60
634-SI8442BB-C-IS1	SI8442BB-C-IS1	NB SOIC-16	2	2	150	2.5kV	L	-40 to +125	3.65	2.91	2.79	2.66
634-SI8445BB-C-IS	SI8445BB-C-IS	WB SOIC-16	4	0	150	2.5kV	L	-40 to +125	3.89	3.11	2.94	2.60
634-SI8445BB-C-IS1	SI8445BB-C-IS1	NB SOIC-16	4	0	150	2.5kV	L	-40 to +125	3.65	2.91	2.79	2.66
634-SI8450AB-A-IS1	SI8450AB-A-IS1	NB SOIC-16	5	0	1	2.5kV	L	-40 to +125	2.79	2.22	2.13	2.03
634-SI8450BB-A-IS1	SI8450BB-A-IS1	NB SOIC-16	5	0	150	2.5kV	L	-40 to +125	4.09	3.26	3.12	2.98
634-SI8451AB-A-IS1	SI8451AB-A-IS1	NB SOIC-16	4	1	1	2.5kV	L	-40 to +125	2.79	2.22	2.13	2.03
634-SI8451BB-A-IS1	SI8451BB-A-IS1	NB SOIC-16	4	1	150	2.5kV	L	-40 to +125	4.09	3.26	3.12	2.98
634-SI8452AB-A-IS1	SI8452AB-A-IS1	NB SOIC-16	3	2	1	2.5kV	L	-40 to +125	2.79	2.22	2.13	2.03
634-SI8452BB-A-IS1	SI8452BB-A-IS1	NB SOIC-16	3	2	150	2.5kV	L	-40 to +125	4.09	3.26	3.12	2.98
634-SI8460AB-A-IS1	SI8460AB-A-IS1	NB SOIC-16	6	0	1	2.5kV	L	-40 to +125	3.10	2.47	2.37	2.26
634-SI8460BB-A-IS1	SI8460BB-A-IS1	NB SOIC-16	6	0	150	2.5kV	L	-40 to +125	4.58	3.64	3.49	3.33
634-SI8461AB-A-IS1	SI8461AB-A-IS1	NB SOIC-16	5	1	1	2.5kV	L	-40 to +125	3.10	2.47	2.37	2.26
634-SI8461BB-A-IS1	SI8461BB-A-IS1	NB SOIC-16	5	1	150	2.5kV	L	-40 to +125	4.58	3.64	3.49	3.33
634-SI8462AB-A-IS1	SI8462AB-A-IS1	NB SOIC-16	4	2	1	2.5kV	L	-40 to +125	3.10	2.47	2.37	2.26
634-SI8462BB-A-IS1	SI8462BB-A-IS1	NB SOIC-16	4	2	150	2.5kV	L	-40 to +125	4.58	3.64	3.49	3.33
634-SI8463AB-A-IS1	SI8463AB-A-IS1	NB SOIC-16	3	3	1	2.5kV	L	-40 to +125	3.10	2.47	2.37	2.26
634-SI8463BB-A-IS1	SI8463BB-A-IS1	NB SOIC-16	3	3	150	2.5kV	L	-40 to +125	4.58	3.64	3.49	3.33

ISOPRO BI-DIRECTIONAL I2C COMPATIBLE DIGITAL ISOLATORS

For quantities of 250 and up, call for quote.

MOUSER STOCK NO.	Silicon Labs Part No.	Package	Forward Data Channels	Reverse Data Channels	Max. Data Rate (MHz)	Insulation Rating	Bidirectional Serial Data	Bidirectional Serial Clock	Temp. Range (°C)	Price Each			
										1	25	50	100
634-SI8400AA-A-IS	SI8400AA-A-IS	NB SOIC-8	0	0	1.7	1.0 kV	Yes	Yes	-40 to +125	3.61	2.87	2.76	2.62
634-SI8400AB-A-IS	SI8400AB-A-IS	NB SOIC-8	0	0	1.7	2.5kV	Yes	Yes	-40 to +125	3.78	3.01	2.89	2.75
634-SI8405AA-A-IS1	SI8405AA-A-IS1	NB SOIC-16	1	1	1.7	1.0 kV	Yes	Yes	-40 to +125	4.03	3.20	3.07	2.93
634-SI8405AB-A-IS1	SI8405AB-A-IS1	NB SOIC-16	1	1	1.7	2.5kV	Yes	Yes	-40 to +125	4.31	3.43	3.29	3.14

POWER OVER ETHERNET (POE) POWERED DEVICES

For quantities of 250 and up, call for quote.

MOUSER STOCK NO.	Silicon Labs Part No.	Package	Class	Full Diode Bridges	Trans. Surge Protector	Switcher FETs	Current Limit (mA)	Max. Output Power (W)	Operating Temp. (°C)	Price Each			
										1	25	50	100
634-SI3400-E1-GM	SI3400-E1-GM	QFN20	0-4	2	Yes	Yes	350 min	11	-40 to +125	3.52	3.49	2.39	1.80
634-SI3401-E1-GM	SI3401-E1-GM	QFN20	0-4	2	Yes	Yes	470 min	14-16	-40 to +125	4.10	3.99	2.47	1.86
634-SI3402-A-GM	SI3402-A-GM	QFN20	0-4	2	Yes	Yes	470 min	17	-40 to +85	3.45	2.88	2.01	1.67

POWER OVER ETHERNET (POE) POWER SOURCING

For quantities of 250 and up, call for quote.

MOUSER STOCK NO.	Silicon Labs Part No.	Package	Ports	Input Supply (Nominal)	DC-DC Controller	SELV Compatible w/ FXS	Current Limit (mA)	Max. Output Power (W)	Operating Temp. (°C)	Price Each			
										1	25	50	100
634-SI3460-E02-GM	SI3460-E02-GM	QFN-11	1	12V	Integrated	Yes	400 min	15.4	-40 to +125	3.00	2.50	2.00	1.39
634-SI3460-E03-GM	SI3460-E03-GM	QFN-11	1	12V	Integrated	Yes	400 min	15.4	-40 to +125	3.00	2.50	1.75	1.45

BOURNS Transient Blocking Units



RoHS Compliant. This product is RoHS compliant.

TBU™ P500-G & P850-G PROTECTORS

Features:

- Formerly FulTec brand
- Extremely high speed performance
- Blocks high voltages and currents
- Two TBU™ protectors in one small package
- Simple, superior circuit protection
- Minimal PCB area
- RoHS compliant, UL recognized

Applications:

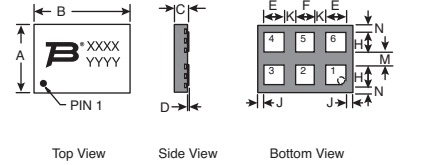
- POTS linecards
- VoIP equipment
- Voice and data combo linecards
- ONU, ONT
- Gateways
- Cable and DSL modems

Pad Designation						
Pad #	1 & 1A	2	3 & 3A	4 & 4A	5	6 & 6A
Apply:	Tip In	NC	Tip Out	Ring Out	NC	Ring In

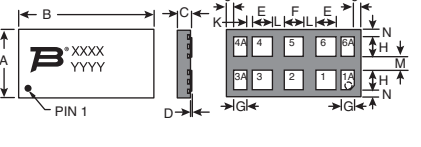
	Dimensions: mm (in.)													
	A	B	C	D	E	F	G	H	J	K	L	M	N	
P500-G	3.40 (.139)	5.90 (.232)	0.80 (.031)	0.000 (.000)	1.15 (.045)	1.05 (.041)	-	1.10 (.043)	0.375 (.015)	0.70 (.028)	-	0.70 (.028)	0.375 (.015)	
Min.														
Typ.	4.00 (.157)	6.00 (.236)	0.85 (.033)	0.025 (.001)	1.25 (.049)	1.15 (.045)	-	1.20 (.047)	0.425 (.017)	0.75 (.030)	-	0.75 (.030)	0.425 (.017)	
Max.	4.10 (.161)	6.10 (.240)	0.90 (.035)	0.050 (.002)	1.35 (.053)	1.25 (.049)	-	1.30 (.051)	0.475 (.019)	0.80 (.031)	-	0.80 (.031)	0.475 (.018)	
P850-G	3.40 (.139)	8.15 (.321)	0.80 (.031)	0.000 (.000)	1.15 (.045)	1.05 (.041)	0.725 (.029)	1.10 (.043)	0.375 (.015)	0.25 (.010)	0.70 (.028)	0.70 (.028)	0.375 (.015)	
Min.														
Typ.	4.00 (.157)	8.25 (.325)	0.85 (.033)	0.025 (.001)	1.25 (.049)	1.15 (.045)	0.825 (.032)	1.20 (.047)	0.425 (.017)	0.30 (.012)	0.75 (.030)	0.75 (.030)	0.425 (.017)	
Max.	4.10 (.161)	8.35 (.329)	0.90 (.035)	0.050 (.002)	1.35 (.053)	1.25 (.049)	0.925 (.036)	1.30 (.051)	0.475 (.019)	0.35 (.014)	0.80 (.031)	0.80 (.031)	0.475 (.018)	

NC=Solder to PCB; do not make electrical connection, do not connect to ground

P500-Gxxx



P850-Gxxx



For quantities greater than listed, call for quote.

MOUSER STOCK NO.	Bourns Part Number	Vimp (V)	Iop (max) (mA)	Iout (max) (mA)	Price Each				Reel Qty.	Price Per Piece
					1	25	50	100		
652-P500-G120-WH	P500-G120-WH	500	100	200	.88	.81	.77	.59	3000	.48
652-P500-G200-WH	P500-G200-WH	500	200	400	.88	.81	.77	.59	3000	.48
652-P850-G120-WH	P850-G120-WH	850	100	200	1.09	.98	.85	.73	3000	.58
652-P850-G200-WH	P850-G200-WH	850	200	400	1.09	.98	.85	.73	3000	.58

TBU™ P650-U AND P850-U PROTECTORS

Features:

- Formerly FulTec brand
- Extremely high speed perform.
- Blocks high voltages & currents
- Low insertion loss
- Two TBU™ protectors in one small package
- Very high bandwidth; GHz compatible
- RoHS compliant, UL recognized

Applications:

- Mb Ethernet port protection
- Gb Ethernet port protection
- Isolated and floating interfaces

Pad Designation						
Pad #	1	2	3	4	5	6
Apply:	In1	NC	Out1	Out2	NC	In2

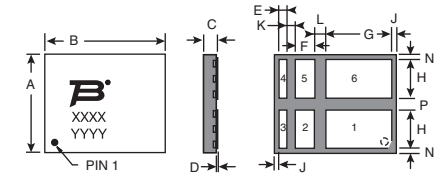
	Dimensions: mm (in.)													
	A	B	C	D	E	F	G	H	J	K	L	N	P	Q
Min.	6.15 (.242)	7.85 (.301)	0.80 (.031)	0.000 (.000)	0.50 (.020)	1.20 (.047)	4.20 (.165)	2.45 (.096)	0.20 (.008)	0.45 (.018)	0.65 (.026)	0.20 (.008)	0.70 (.028)	3.20 (.126)
Typ.	6.25 (.246)	7.75 (.305)	0.85 (.033)	0.025 (.001)	0.55 (.022)	1.25 (.049)	4.25 (.167)	2.50 (.098)	0.25 (.010)	0.50 (.020)	0.75 (.028)	0.25 (.010)	0.75 (.030)	3.25 (.128)
Max.	6.35 (.250)	7.85 (.309)	0.90 (.035)	0.050 (.002)	0.60 (.024)	1.30 (.051)	4.30 (.169)	2.55 (.100)	0.30 (.012)	0.55 (.022)	0.75 (.030)	0.30 (.012)	0.80 (.031)	3.30 (.130)

NC=Solder to PCB; do not make electrical connection, do not connect to ground

Top View

Side View

Bottom View



For quantities greater than listed, call for quote.

MOUSER STOCK NO.	Bourns Part Number	Vimp (V)	Iop (max) (mA)	Iout (max) (mA)	Price Each				Reel Qty.	Price Per Piece
					1	25	50	100		
652-P650-U180-WH	P650-U180-WH	650	180	360	1.53	1.39	1.18	1.02	3000	.826
652-P650-U260-WH	P650-U260-WH	650	260	520	1.53	1.39	1.18	1.02	3000	.826
652-P850-U180-WH	P850-U180-WH	850	180	360	1.58	1.43	1.23	1.05	3000	.845
652-P850-U260-WH	P850-U260-WH	850	260	520	1.58	1.43	1.23	1.05	3000	.845

TBU™ C650 AND C850 PROTECTORS

Features:

- Formerly FulTec brand
- Extremely high speed performance
- Blocks high voltages and currents
- Very high bandwidth; GHz compatible

- Small package, minimal PCB area
- Simple, superior circuit protection
- RoHS compliant, UL recognized

Applications:

- Combo voice/xDSL linecards
- Voice linecards
- MDF, primary protection modules
- Process control equipment
- Test and measurement equipment
- General electronics

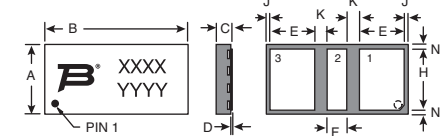
	Dimensions: mm (in.)										
	A	B	C	D	E	F	H	J	K	N	
Min.	3.90 (.154)	8.15 (.321)	0.80 (.031)	0.000 (.000)	2.55 (.100)	1.10 (.043)	1.40 (.055)	3.45 (.136)	0.20 (.008)	0.65 (.026)	0.20 (.008)
Typ.	4.00 (.157)	8.25 (.325)	0.85 (.033)	0.025 (.001)	2.60 (.102)	1.15 (.045)	1.45 (.057)	3.50 (.138)	0.25 (.010)	0.70 (.028)	0.25 (.010)
Max.	4.10 (.161)	8.35 (.329)	0.90 (.035)	0.050 (.002)	2.65 (.104)	1.20 (.047)	1.50 (.059)	3.55 (.140)	0.30 (.012)	0.75 (.030)	0.30 (.012)

NC=Solder to PCB; do not make electrical connection, do not connect to ground

Top View

Side View

Bottom View



For quantities greater than listed, call for quote.

MOUSER STOCK NO.	Bourns Part Number	Vimp (V)	Iop (max) (mA)	Iout (max) (mA)	Price Each				Reel Qty.	Price Per Piece
					1	25	50	100		
652-C650-100-WH	C650-100-WH	650	100	200	1.43	1.30	1.21	.96	6000	.75
652-C650-180-WH	C650-180-WH	650	180	360	1.43	1.30	1.21	.96	6000	.75
652-C650-260-WH	C650-260-WH	650	260	520	1.43	1.30	1.21	.96	6000	.75
652-C850-180-WH	C850-180-WH	850	180	360	1.48	1.35	1.20	.98	3000	.79
652-C850-260-WH	C850-260-WH	850	260	520	1.48	1.35	1.20	.98	3000	.79

TBU™ P40-G PROTECTOR

Features:

- Formerly FulTec brand
- Extremely high speed performance
- Low impedance
- Very high bandwidth; GHz compatible
- Simple, superior circuit protection
- RoHS compliant, UL recognized

Applications:

- xDSL (ADSL, VDSL, VDSL2)
- High Data Rate Interface IC protection (LVDS, HDMI, etc.)
- Industrial sensors and controls
- General electronics

Pad Designation						
Pad #	1	2	3	4	5	6
Apply:	In1	NC	Out1	Out2	NC	In2

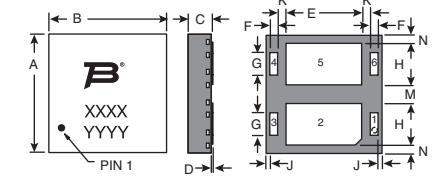
	Dimensions: mm (in.)													
	A	B	C	D	E	F	G	H	J	K	M	N		
Min.	3.90 (.154)	3.90 (.154)	0.80 (.031)	0.000 (.000)	2.55 (.100)	0.20 (.008)	0.75 (.030)	1.40 (.055)	0.10 (.004)	0.10 (.010)	0.55 (.022)	0.20 (.008)		
Typ.	4.00 (.157)	4.00 (.157)	0.85 (.033)	0.025 (.001)	2.60 (.102)	0.25 (.010)	0.80 (.031)	1.45 (.057)	0.15 (.006)	0.15 (.012)	0.60 (.024)	0.25 (.010)		
Max.	4.10 (.161)	4.10 (.161)	0.90 (.035)	0.050 (.002)	2.65 (.104)	0.30 (.012)	0.85 (.033)	1.50 (.059)	0.20 (.008)	0.20 (.014)	0.65 (.026)	0.30 (.012)		

NC=Solder to PCB; do not make electrical connection, do not connect to ground

Top View

Side View

Bottom View



For quantities greater than listed, call for quote.

MOUSER STOCK NO.	Bourns Part Number	Vimp (V)	Iop (max) (mA)	Iout (max) (mA)	Price Each				Reel Qty.	Price Per Piece
					1	25	50	100		
652-P40-G240-WH	P40-G240-WH	40	240	480	1.01	.90	.72	.68	3000	.54