

BIVAR LED Engineered Illumination

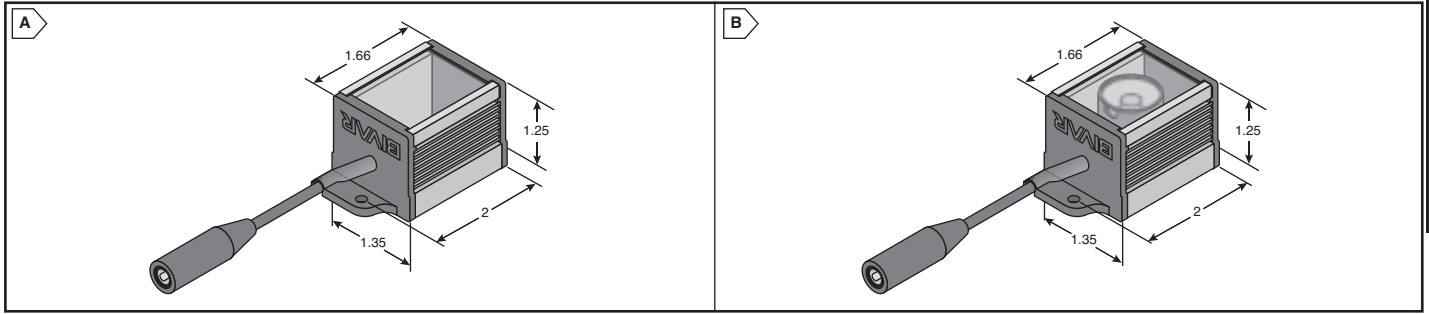


Products may be RoHS compliant.
Check mouser.com for RoHS status.

DIMENSIONS: in.

Hi-Power LEDs

Bivar

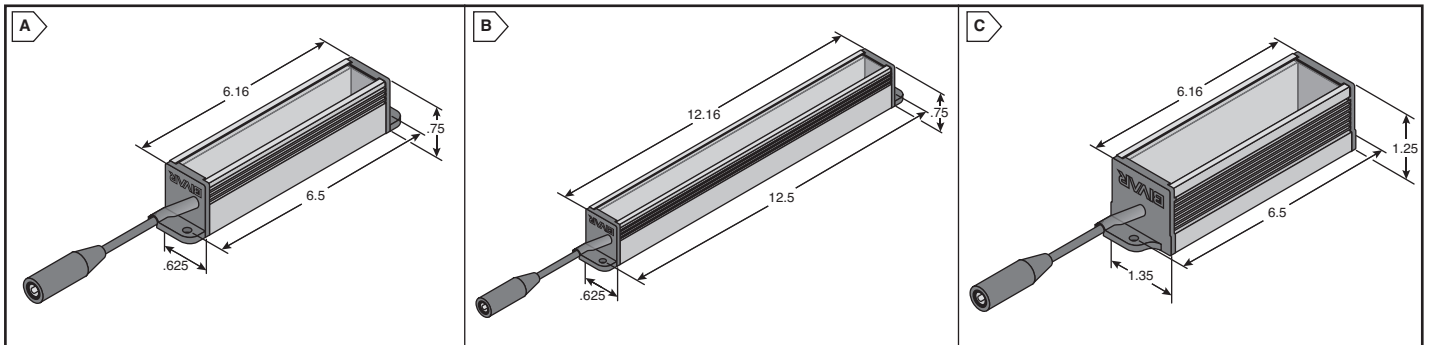


SINGLE SOURCE CUBIC DIRECTIONAL LIGHTING

For quantities of 100 and up, call for quote.

MOUSER STOCK NO.	Bivar Part No.	Fig.	Color	Color Temp / Wavelength	Luminous Intensity (lm)	Output Projection	Case Color	Power (W)	Input Voltage (VDC)	Drive Current (mA)/max	Price Each		
											1	10	50
749-CDL-WHT-CS	CDL-WHT-CS	A	White	4500K - 8000K	80	Spot	Metallic Gray	1	3.3	350	18.30	17.16	16.02
749-CDL-WHT-CSB	CDL-WHT-CSB	A	White	4500K - 8000K	80	Spot	Black	1	3.3	350	18.59	17.43	16.27
749-CDL-WHT-FL	CDL-WHT-FL	B	White	4500K - 8000K	80	Flood	Metallic Gray	1	3.3	350	16.86	15.81	14.76
749-CDL-WHT-FLB	CDL-WHT-FLB	B	White	4500K - 8000K	80	Flood	Black	1	3.3	350	17.14	16.07	14.99

DIMENSIONS: in.

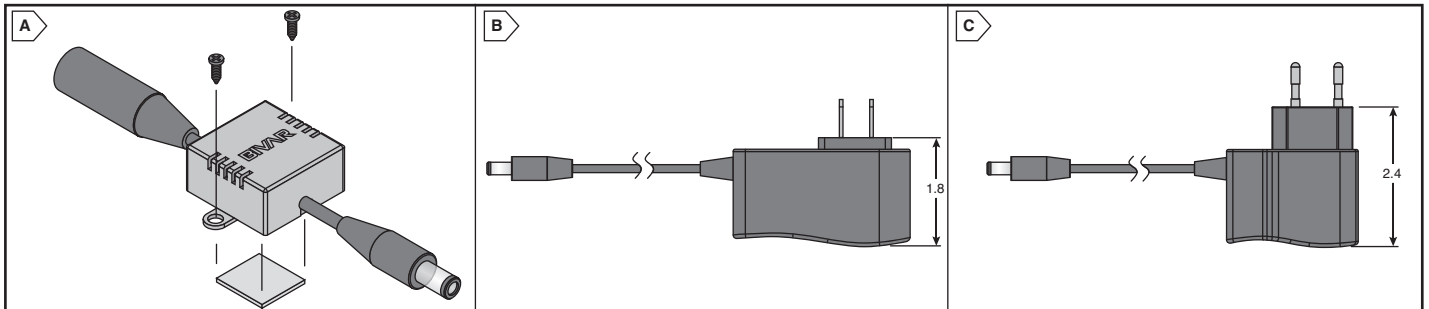


THIN-LINE VARIABLE SEGMENT DIRECTIONAL LIGHTING

For quantities of 100 and up, call for quote.

MOUSER STOCK NO.	Bivar Part No.	Fig.	Size	Color	Color Temp / Wavelength	Luminous Intensity (lm)	Output Projection	Case Color	Power (W)	Input Voltage (VDC)	Drive Current (mA)/max	Price Each		
												1	10	50
749-TVSDL06M34	TVSDL06M34	A	6	White	6500K - 7500K	96	100°	Metallic Gray	2.2	24	100	25.07	23.51	21.94
749-TVSDL06M34B	TVSDL06M34B	A	6	White	6500K - 7500K	96	100°	Black	2.2	24	100	25.94	24.32	22.69
749-TVSDL06J18	TVSDL06J18	A	6	White	6500K - 7500K	175	120°	Metallic Gray	6	24	180	40.75	38.21	35.66
749-TVSDL06J18B	TVSDL06J18B	A	6	White	6500K - 7500K	175	120°	Black	6	24	180	41.63	39.03	36.43
749-TVSDL12M59	TVSDL12M59	B	12	White	6500K - 7500K	166	100°	Metallic Gray	5	24	200	45.10	42.29	39.47
749-TVSDL12M59B	TVSDL12M59B	B	12	White	6500K - 7500K	166	100°	Black	5	24	200	46.69	43.77	40.85
749-VSDL06M68	VSDL06M68	C	6	White	6500K - 7500K	191	100°	Metallic Gray	4.5	24	240	42.24	39.60	36.96

DIMENSIONS: in.



IN-LINE AND WALL MOUNT POWER SUPPLIES FOR BIVAR LED ENGINEERED ILLUMINATION

For quantities of 100 and up, call for quote.

MOUSER STOCK NO.	Bivar Part No.	Fig.	Type	Input Voltage (V)	Output Voltage (DC)	Output Current (mA)	Output Connector	Price Each		
								1	10	50
749-1WDRIVER-001	1WDRIVER-001	A	In-Line	10 - 30 AC/DC	Variable	350	2.1mm	7.36	6.90	6.44
749-EIADT-UL-001	EIADT-UL-001	B	Wall Mount	100 - 240 VAC	24	600	2.1mm	9.86	9.24	8.62
749-EIADT-UL-002	EIADT-UL-002	B	Wall Mount	100 - 240 VAC	3.3	350	2.1mm	5.79	5.43	5.07
749-EIADT-VDE-001	EIADT-VDE-001	C	Wall Mount	100 - 240 VAC	24	600	2.1mm	10.10	9.47	8.83
749-EIADT-VDE-002	EIADT-VDE-002	C	Wall Mount	100 - 240 VAC	3.3	350	2.1mm	5.63	5.28	4.93