

# COOPER/BUSSMANN Uni-Pac™ SMT Power Inductors



RoHS Compliant This product is RoHS compliant.

## Features:

- Miniature surface mount design
- Inductance range from 0.470uH to 1000uH
- Current range from 19.2 to .47 Amps
- Maximum power density
- Ideal for applications requiring low inductance and high current in a miniature package

## Applications:

- DC-DC converters on board level and industrial products

## Environmental Data:

- Storage temperature range: -40°C to +125°C
- Operating ambient temperature range: -40°C to +85°C
- Solder reflow temperature: +260°C max. for 10 seconds max.

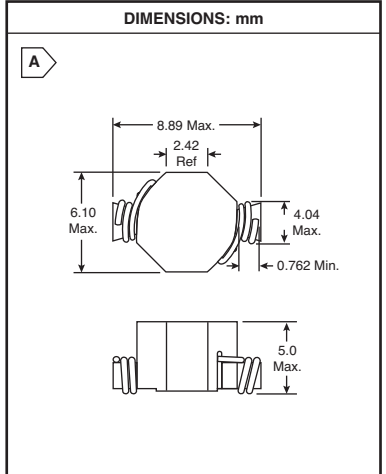
## Packaging:

- Supplied in tape and reel packaging, 900 (UP1B), 550 (UP2B), 450 (UP3B), and 275 (UP4B) per reel

## UP1B SERIES

MOUSER STOCK NO.	Coiltronics Part No.	Fig.	Value (µH)	Open Circuit Value (µH)	Irms (A)	Isat (A)	DCR (Ω)	Price Each			
								1	50	100	500
704-UP1B-R47-R	UP1B-R47-R	A	0.47	0.569	6.0	7.7	0.0097	1.25	.83	.75	.68
704-UP1B-1R0-R	UP1B-1R0-R	A	1.0	1.20	4.4	5.3	0.0177	1.25	.83	.75	.68
704-UP1B-1R5-R	UP1B-1R5-R	A	1.5	1.61	4.2	4.5	0.020	1.25	.83	.75	.68
704-UP1B-2R2-R	UP1B-2R2-R	A	2.2	2.62	3.1	3.5	0.0363	1.25	.83	.75	.68
704-UP1B-3R3-R	UP1B-3R3-R	A	3.3	3.79	2.9	3.0	0.0428	1.25	.83	.75	.68
704-UP1B-4R7-R	UP1B-4R7-R	A	4.7	5.15	2.2	2.6	0.0544	1.25	.83	.75	.68
704-UP1B-6R8-R	UP1B-6R8-R	A	6.8	6.87	1.7	2.2	0.0897	1.25	.83	.75	.68
704-UP1B-100-R	UP1B-100-R	A	10	11.0	1.5	1.9	0.1107	1.25	.83	.75	.68
704-UP1B-150-R	UP1B-150-R	A	15	16.0	1.2	1.5	0.1747	1.25	.83	.75	.68
704-UP1B-220-R	UP1B-220-R	A	22	23.5	1.0	1.2	0.2541	1.25	.83	.75	.68
704-UP1B-330-R	UP1B-330-R	A	33	36.0	0.82	0.99	0.367	1.25	.83	.75	.68
704-UP1B-470-R	UP1B-470-R	A	47	48.5	0.72	0.87	0.474	1.25	.83	.75	.68
704-UP1B-680-R	UP1B-680-R	A	68	73.52	0.58	0.67	0.732	1.25	.83	.75	.68
704-UP1B-101-R	UP1B-101-R	A	100	112.67	0.47	0.53	1.11	1.25	.83	.75	.68
704-UP1B-151-R	UP1B-151-R	A	150	152.4	0.40	0.46	1.61	1.25	.83	.75	.68
704-UP1B-221-R	UP1B-221-R	A	220	223.1	0.36	0.38	1.96	1.25	.83	.75	.68
704-UP1B-331-R	UP1B-331-R	A	330	331.9	0.28	0.31	3.10	1.25	.83	.75	.68

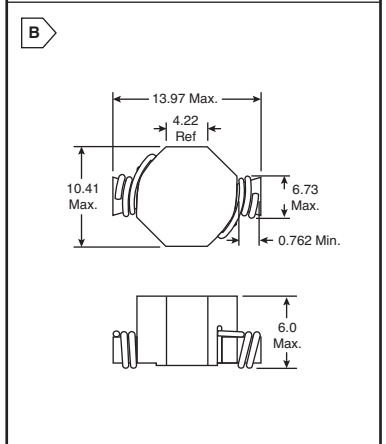
For quantities of 900 and up, call for quote.



## UP2B SERIES

MOUSER STOCK NO.	Coiltronics Part No.	Fig.	Value (µH)	Open Circuit Value (µH)	Irms (A)	Isat (A)	DCR (Ω)	Price Each			
								1	55	110	220
704-UP2B-R47-R	UP2B-R47-R	B	0.47	0.595	10.6	11.4	0.0049	1.49	.99	.90	.82
704-UP2B-1R0-R	UP2B-1R0-R	B	1.0	1.0	9.3	9.9	0.0065	1.49	.99	.90	.82
704-UP2B-1R5-R	UP2B-1R5-R	B	1.5	1.46	8.3	7.9	0.0081	1.49	.99	.90	.82
704-UP2B-2R2-R	UP2B-2R2-R	B	2.2	2.56	7.2	6.1	0.0107	1.49	.99	.90	.82
704-UP2B-3R3-R	UP2B-3R3-R	B	3.3	3.23	6.5	5.1	0.0128	1.49	.99	.90	.82
704-UP2B-4R7-R	UP2B-4R7-R	B	4.7	4.77	5.5	4.2	0.0165	1.49	.99	.90	.82
704-UP2B-6R8-R	UP2B-6R8-R	B	6.8	6.63	5.0	3.6	0.0202	1.49	.99	.90	.82
704-UP2B-100-R	UP2B-100-R	B	10	9.73	4.3	3.3	0.0267	1.49	.99	.90	.82
704-UP2B-150-R	UP2B-150-R	B	15	15.43	3.5	2.4	0.041	1.49	.99	.90	.82
704-UP2B-220-R	UP2B-220-R	B	22	22.5	2.8	2.0	0.0617	1.49	.99	.90	.82
704-UP2B-330-R	UP2B-330-R	B	33	33.13	2.1	1.7	0.0917	1.49	.99	.90	.82
704-UP2B-470-R	UP2B-470-R	B	47	48.65	1.7	1.4	0.1388	1.49	.99	.90	.82
704-UP2B-680-R	UP2B-680-R	B	68	68.17	1.5	1.2	0.1787	1.49	.99	.90	.82
704-UP2B-820-R	UP2B-820-R	B	82	84.1	1.34	1.03	0.2235	1.49	.99	.90	.82
704-UP2B-101-R	UP2B-101-R	B	100	102.6	1.2	0.95	0.2707	1.49	.99	.90	.82
704-UP2B-151-R	UP2B-151-R	B	150	150	1.0	0.77	0.41	1.49	.99	.90	.82
704-UP2B-221-R	UP2B-221-R	B	220	223	0.773	0.637	0.6717	1.49	.99	.90	.82
704-UP2B-331-R	UP2B-331-R	B	330	338	0.676	0.510	0.8783	1.49	.99	.90	.82
704-UP2B-471-R	UP2B-471-R	B	470	471	0.553	0.427	1.31	1.49	.99	.90	.82
704-UP2B-681-R	UP2B-681-R	B	680	700	0.452	0.355	1.97	1.49	.99	.90	.82
704-UP2B-821-R	UP2B-821-R	B	820	823	0.423	0.334	2.24	1.49	.99	.90	.82
704-UP2B-102-R	UP2B-102-R	B	1000	1005	0.369	0.300	2.96	1.49	.99	.90	.82

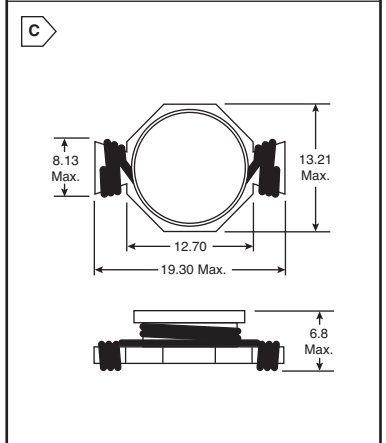
For quantities of 550 and up, call for quote.



## UP3B SERIES

MOUSER STOCK NO.	Coiltronics Part No.	Fig.	Value (µH)	Open Circuit Value (µH)	Irms (A)	Isat (A)	DCR (Ω)	Price Each			
								1	25	50	100
704-UP3B-R47-R	UP3B-R47-R	C	0.47	0.452	16	25.1	0.0021	1.82	1.21	1.10	1.00
704-UP3B-1R0-R	UP3B-1R0-R	C	1.0	1.34	12.5	15.3	0.0034	1.82	1.21	1.10	1.00
704-UP3B-1R5-R	UP3B-1R5-R	C	1.5	2.08	10	12	0.0053	1.82	1.21	1.10	1.00
704-UP3B-2R2-R	UP3B-2R2-R	C	2.2	3.01	9.2	10.2	0.0074	1.82	1.21	1.10	1.00
704-UP3B-3R3-R	UP3B-3R3-R	C	3.3	3.96	8.0	9.3	0.0083	1.82	1.21	1.10	1.00
704-UP3B-4R7-R	UP3B-4R7-R	C	4.7	5.0	6.5	7.7	0.0114	1.82	1.21	1.10	1.00
704-UP3B-6R8-R	UP3B-6R8-R	C	6.8	7.7	5.8	6.2	0.0183	1.82	1.21	1.10	1.00
704-UP3B-100-R	UP3B-100-R	C	10	11.0	4.3	5.2	0.026	1.82	1.21	1.10	1.00
704-UP3B-150-R	UP3B-150-R	C	15	16.38	3.9	4.3	0.0317	1.82	1.21	1.10	1.00
704-UP3B-220-R	UP3B-220-R	C	22	23.93	3.1	3.7	0.049	1.82	1.21	1.10	1.00
704-UP3B-330-R	UP3B-330-R	C	33	33.85	2.4	3.0	0.0688	1.82	1.21	1.10	1.00
704-UP3B-470-R	UP3B-470-R	C	47	51	1.9	2.4	0.1082	1.82	1.21	1.10	1.00
704-UP3B-680-R	UP3B-680-R	C	68	69.5	1.6	2.0	0.1558	1.82	1.21	1.10	1.00
704-UP3B-101-R	UP3B-101-R	C	100	101.4	1.4	1.8	0.2053	1.82	1.21	1.10	1.00
704-UP3B-151-R	UP3B-151-R	C	150	152.9	1.2	1.4	0.296	1.82	1.21	1.10	1.00
704-UP3B-331-R	UP3B-331-R	C	330	332.8	0.75	0.98	0.733	1.82	1.21	1.10	1.00

For quantities of 450 and up, call for quote.



## UP4B SERIES

MOUSER STOCK NO.	Coiltronics Part No.	Fig.	Value (µH)	Open Circuit Value (µH)	Irms (A)	Isat (A)	DCR (Ω)	Price Each			
								1	25	50	130
704-UP4B-R47-R	UP4B-R47-R	D	0.47	0.473	19.2	51.7	0.0019	2.04	1.36	1.24	1.13
704-UP4B-1R0-R	UP4B-1R0-R	D	1.0	0.916	17.3	37.3	0.0023	2.04	1.36	1.24	1.13
704-UP4B-1R5-R	UP4B-1R5-R	D	1.5	1.52	13.4	28.9	0.0039	2.04	1.36	1.24	1.13
704-UP4B-2R2-R	UP4B-2R2-R	D	2.2	2.27	12	23.7	0.0048	2.04	1.36	1.24	1.13
704-UP4B-3R3-R	UP4B-3R3-R	D	3.3	3.14	11	20.2	0.0057	2.04	1.36	1.24	1.13
704-UP4B-4R7-R	UP4B-4R7-R	D	4.7	5.34	8.6	15.6	0.0093	2.04	1.36	1.24	1.13
704-UP4B-6R8-R	UP4B-6R8-R	D	6.8	6.66	8.3	14.1	0.01	2.04	1.36	1.24	1.13
704-UP4B-100-R	UP4B-100-R	D	10	9.77	6.8	11.5	0.015	2.04	1.36	1.24	1.13
704-UP4B-150-R	UP4B-150-R	D	15	15.61	5.5	9.1	0.023	2.04	1.36	1.24	1.13
704-UP4B-220-R	UP4B-220-R	D	22	22.61	4.5	7.6	0.034	2.04	1.36	1.24	1.13
704-UP4B-330-R	UP4B-330-R	D	33	34.3	3.7	6.1	0.052	2.04	1.36	1.24	1.13
704-UP4B-470-R	UP4B-470-R	D	47	48.1	3.1	5.2	0.074	2.04	1.36	1.24	1.13
704-UP4B-680-R	UP4B-680-R	D	68	69.14	2.4	4.3	0.12	2.04	1.36	1.24	1.13
704-UP4B-101-R	UP4B-101-R	D	100	99.42	2.0	3.6	0.17	2.04	1.36	1.24	1.13
704-UP4B-151-R	UP4B-151-R	D	150	146.9	1.7	3.0	0.2392	2.04	1.36	1.24	1.13
704-UP4B-221-R	UP4B-221-R	D	220	221.4	1.4	2.4	0.3571	2.04	1.36	1.24	1.13
704-UP4B-331-R	UP4B-331-R	D	330	330	1.1	2.0	0.58	2.04	1.36	1.24	1.13
704-UP4B-471-R	UP4B-471-R	D	470	470.1	0.91	1.7	0.833	2.04	1.36	1.24	1.13

For quantities of 275 and up, call for quote.

