

BOURNS / J.W. MILLER SMT Power Inductors & Ferrite Beads



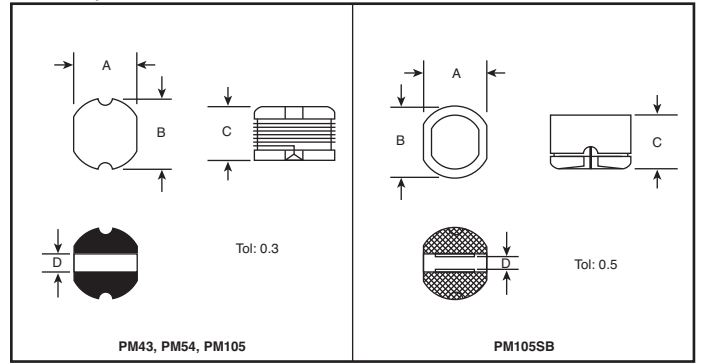
SMT POWER INDUCTORS

RoHS Compliant This product is RoHS compliant.

Features:

- Compact size
- Ferrite bobbin core
- High current capability
- Low core loss for high frequency power application
- Operating temperature range: -30 to +100°C
- Large terminal surface for good PCB bonding
- Current to cause maximum 10% of inductance drop or 40°C temperature rise

DIMENSIONS: mm				
Series	A	B	C	D
PM43	4.0	4.5	3.2	1.2
PM54	5.2	5.8	4.5	1.3
PM105	9.0	10.0	5.4	2.1
PM105SB	9.0	10.0	5.0	2.5



Inductors

PM43 Series

RoHS Compliant

For quantities of 1000 and up, call for quote.

MOUSER STOCK NO.	L (μH)	Inductive Tolerance	Test Freq.	Fo Typ. MHz	Rdc Max. Ohms	Idc Max Amps	Price Each		
							1	10	100
542-PM43-1R0M-RC	1.0	20%	7.96MHz	113	0.049	2.56	1.61	1.41	.80
542-PM43-4R7M-RC	4.7	20%	7.96MHz	49	0.109	1.15	1.61	1.41	.80
542-PM43-100M-RC	10	20%	2.52MHz	35	0.182	1.04	1.61	1.41	.80
542-PM43-120M-RC	12	20%	2.52MHz	32	0.210	0.97	1.61	1.41	.80
542-PM43-180M-RC	18	20%	2.52MHz	27	0.338	0.74	1.61	1.41	.80
542-PM43-220M-RC	22	20%	2.52MHz	24	0.378	0.68	1.61	1.41	.80
542-PM43-330K-RC	33	10%	2.52MHz	19	0.540	0.56	1.61	1.41	.80
542-PM43-390K-RC	39	10%	2.52MHz	18	0.587	0.52	1.61	1.41	.80
542-PM43-470K-RC	47	10%	2.52MHz	15	0.844	0.44	1.61	1.41	.80
542-PM43-680K-RC	68	10%	2.52MHz	13	1.117	0.37	1.61	1.41	.80

PM54 Series

RoHS Compliant

For quantities of 1000 and up, call for quote.

MOUSER STOCK NO.	L (μH)	Inductive Tolerance	Test Freq.	Fo Typ. MHz	Rdc Max. Ohms	Idc Max Amps	Price Each		
							1	10	25
542-PM54-100M-RC	10	20%	2.52MHz	30	0.10	1.44	1.00	.90	.83
542-PM54-180M-RC	18	20%	2.52MHz	23	0.15	1.23	1.00	.90	.83
542-PM54-220M-RC	22	20%	2.52MHz	19	0.18	1.11	1.00	.90	.83
542-PM54-330L-RC	33	15%	2.52MHz	16	0.23	0.88	1.00	.90	.83
542-PM54-470L-RC	47	15%	2.52MHz	13	0.37	0.72	1.00	.90	.83
542-PM54-560K-RC	56	10%	2.52MHz	12	0.42	0.68	1.00	.90	.83
542-PM54-680K-RC	68	10%	2.52MHz	11	0.46	0.61	1.00	.90	.83
542-PM54-101K-RC	100	10%	1kHz	9	0.70	0.52	1.00	.90	.83
542-PM54-121K-RC	120	10%	1kHz	8	0.93	0.48	1.00	.90	.83
542-PM54-221K-RC	220	10%	1kHz	5	1.57	0.35	1.00	.90	.83

PM105 Series (Unshielded)

RoHS Compliant

For quantities of 1000 and up, call for quote.

MOUSER STOCK NO.	L (μH)	Inductive Tolerance	Test Freq.	Fo Typ. MHz	Rdc Max. Ohms	Idc Max Amps	Price Each		
							1	10	25
542-PM105-100M-RC	10	20%	2.52MHz	25	0.06	2.60	1.76	1.70	1.58
542-PM105-120M-RC	12	20%	2.52MHz	23	0.07	2.45	1.76	1.70	1.58
542-PM105-220M-RC	22	20%	2.52MHz	15	0.10	1.96	1.76	1.70	1.58
542-PM105-270M-RC	27	20%	2.52MHz	14	0.11	1.76	1.76	1.70	1.58
542-PM105-330M-RC	33	20%	2.52MHz	13	0.12	1.50	1.76	1.70	1.58
542-PM105-390M-RC	39	20%	2.52MHz	12	0.14	1.37	1.76	1.70	1.58
542-PM105-470K-RC	47	10%	2.52MHz	10	0.17	1.28	1.76	1.70	1.58
542-PM105-560K-RC	56	10%	2.52MHz	10	0.19	1.17	1.76	1.70	1.58
542-PM105-680K-RC	68	10%	2.52MHz	9	0.22	1.11	1.76	1.70	1.58
542-PM105-820K-RC	82	10%	2.52MHz	8	0.25	1.00	1.76	1.70	1.58
542-PM105-101K-RC	100	10%	1kHz	7	0.35	0.97	1.76	1.70	1.58
542-PM105-121K-RC	120	10%	1kHz	6	0.40	0.89	1.76	1.70	1.58
542-PM105-151K-RC	150	10%	1kHz	5	0.47	0.78	1.76	1.70	1.58
542-PM105-221K-RC	220	10%	1kHz	5	0.73	0.66	1.76	1.70	1.58
542-PM105-271K-RC	270	10%	1kHz	4	0.97	0.57	1.76	1.70	1.58
542-PM105-331K-RC	330	10%	1kHz	4	1.15	0.52	1.76	1.70	1.58
542-PM105-391K-RC	390	10%	1kHz	3	1.30	0.48	1.76	1.70	1.58
542-PM105-471K-RC	470	10%	1kHz	3	1.48	0.42	1.76	1.70	1.58
542-PM105-561K-RC	560	10%	1kHz	3	1.90	0.33	1.76	1.70	1.58
542-PM105-681K-RC	680	10%	1kHz	2	2.25	0.28	1.76	1.70	1.58
542-PM105-821K-RC	820	10%	1kHz	2	2.55	0.24	1.76	1.70	1.58

PM105SB Series (Shielded)

RoHS Compliant

For quantities of 1000 and up, call for quote.

MOUSER STOCK NO.	L (μH)	Ind. Tol.	Test Freq.	Fo Typ. MHz	Rdc Max. Ohms	Idc Max Amps	Price Each		
							1	10	25
542-PM105SB-100M-RC	10	20%	2.52MHz	29	0.06	2.06	2.17	1.99	1.95
542-PM105SB-120M-RC	12	20%	2.52MHz	26	0.07	1.94	2.17	1.99	1.95
542-PM105SB-180M-RC	18	20%	2.52MHz	21	0.08	1.58	2.17	1.99	1.95
542-PM105SB-220M-RC	22	20%	2.52MHz	18	0.08	1.42	2.17	1.99	1.95
542-PM105SB-270M-RC	27	20%	2.52MHz	17	0.10	1.32	2.17	1.99	1.95
542-PM105SB-330L-RC	33	15%	2.52MHz	14	0.11	1.16	2.17	1.99	1.95
542-PM105SB-390L-RC	39	15%	2.52MHz	14	0.12	1.10	2.17	1.99	1.95
542-PM105SB-470L-RC	47	15%	2.52MHz	11	0.14	1.00	2.17	1.99	1.95
542-PM105SB-560L-RC	56	15%	2.52MHz	11	0.19	0.93	2.17	1.99	1.95
542-PM105SB-680L-RC	68	15%	2.52MHz	10	0.21	0.85	2.17	1.99	1.95
542-PM105SB-820L-RC	82	15%	2.52MHz	9	0.28	0.79	2.17	1.99	1.95
542-PM105SB-101K-RC	100	10%	1kHz	8	0.34	0.72	2.17	1.99	1.95
542-PM105SB-121K-RC	120	10%	1kHz	7	0.37	0.63	2.17	1.99	1.95
542-PM105SB-151K-RC	150	10%	1kHz	6	0.51	0.55	2.17	1.99	1.95
542-PM105SB-221K-RC	220	10%	1kHz	5	0.78	0.47	2.17	1.99	1.95
542-PM105SB-271K-RC	270	10%	1kHz	5	0.87	0.41	2.17	1.99	1.95
542-PM105SB-331K-RC	330	10%	1kHz	4	1.20	0.37	2.17	1.99	1.95
542-PM105SB-391K-RC	390	10%	1kHz	3	1.34	0.35	2.17	1.99	1.95
542-PM105SB-471K-RC	470	10%	1kHz	3	1.50	0.33	2.17	1.99	1.95



FB SERIES FERRITE BEADS

DIMENSIONS: in.

Features:

- Very low cost
- Excellent EMI suppression capability at high frequency
- Higher impedance can be achieved with 2 or more beads in series
- Wider frequency range can be achieved with 2 beads of different material grade in series

For quantities of 2000 and up, call for quote.

MOUSER STOCK NO.	Freq. Range (MHz)	Material Type	Min./Max. Dimensions: in.			Price Each				
			O.D.	I.D.	L	1	10	25	50	100
542-FB73-085-RC	up to 40	73	.052/.056	.027/.031	.085/.095	.15	.14	.13	.12	.11
542-FB43-226-RC	40-200	43	.123/.153	.040/.060	.221/.251	.11	.10	.09	.08	.07
542-FB73-226-RC	up to 40	73	.125/.155	.040/.060	.221/.251	.15	.14	.13	.12	.11
542-FB73-110-RC	up to 40	73	.125/.155	.040/.060	.113/.143	.15	.14	.13	.12	.11
542-FB43-110-RC	40-200	43	.125/.155	.040/.060	.113/.143	.11	.10	.09	.08	.07
542-FB64-110-RC	above 200	64	.123/.153	.040/.060	.113/.143	.11	.10	.09	.08	.07
542-FB43-422-RC	40-200	43	.185/.215	.050/.070	.412/.462	.15	.14	.13	.12	.11
542-FB73-422-RC	up to 40	73	.185/.215	.050/.070	.412/.462	.18	.17	.16	.15	.14
542-FB43-287-RC	40-200	43	.281/.311	.084/.104	.282/.312	.11	.10	.09	.08	.07
542-FB73-287-RC	up to 40	73	.281/.311	.084/.104	.282/.312	.15	.14	.13	.12	.11

RoHS Compliant

