

WURTH ELECTRONICS Snap-On Ferrite EMI Filters

Midcom



NEW SUPPLIER

EMI Suppression

Wurth Electronics

NEW SUPPLIER

NEW SUPPLIER

NEW SUPPLIER

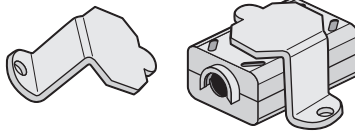
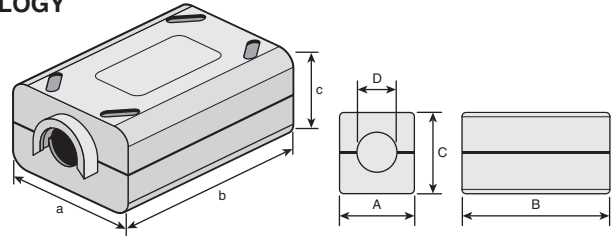
STAR-TEC ROUND CABLE SNAP FERRITES W/SAFETY KEY TECHNOLOGY

Features:

- Built in cable guide eases the cable assembling process
- Patented case design prevents air gaps for a perfect EMI suppression
- The security lock guarantees electromagnetic compatibility because only authorized persons can unlock the snap ferrite with the STAR-TEC key
- The innovative sleek design without sharp edges makes the STAR-TEC blend in on the cable
- The ferrite core is made of NiZn, a material which provides broadband suppression from 30MHz – 1.5GHz
- Material: plastic case PA 6, UL 94 V-0
- Operating temperature: -25°C to 105°C
- Reinforced hinge design out performs competition
- **1 Key provided with each std. pack quantity, additional keys sold separately part # 710-74271**

Applications:

- Internal and external computer data and power cable
- Perfect for cables with difficult access because of easy installation and removal
- Reusable because of the key technology therefore perfect for test and measuring purposes



STAR-CLIP mounting bracket for STAR-TEC snap ferrites

MOUSER STOCK NO.	Wurth Electronics Part No.	Suitable For	Price Each		
			1	25	100
710-7427711	7427711	74271112	2.24	1.86	1.58
710-7427713	7427713	74271131 / 74271132	2.73	2.27	1.93

For quantities of 250 and up, call for quote.

MOUSER STOCK NO.	Wurth Electronics Part No.	Impedance (Ω) 25MHz (1 turn)	Impedance (Ω) 25MHz (2 turns)	Impedance (Ω) 100MHz (1 turn)	Impedance (Ω) 100MHz (2 turns)	Min. Cable Dia. (mm)	Max. Cable Dia. (mm)	Dimensions: mm								Price Each		
								a	b	c	A	B	C	D	1	25	100	
710-74271112	74271112	176	773	321	806	4.50	6.00	23.7	36.9	18.2	15.0	28.5	15.0	6.6	3.83	3.19	2.82	
710-74271131	74271131	145	607	246	755	6.00	7.50	24.2	36.4	20.1	16.0	28.0	16.0	9.0	3.83	3.19	2.82	
710-74271132	74271132	141	603	241	755	7.00	8.50	24.2	36.3	19.7	16.0	28.0	16.0	9.0	4.15	3.46	3.06	
710-74271221	74271221	151	641	270	783	8.50	10.50	33.6	37.7	29.5	25.0	28.0	25.0	13.0	4.92	4.09	3.62	
710-74271222	74271222	145	638	265	779	10.50	12.50	33.5	37.6	28.8	25.0	28.0	25.0	13.0	7.72	6.43	5.69	

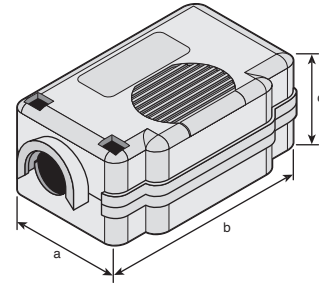
STAR-FIX W/FLEXIBLE CABLE GRIP & SAFETY KEY TECHNOLOGY

Features:

- NEW: with flexible cable grip
- Built in cable guide eases the cable assembling process
- Patented case design prevents air gaps for a perfect EMI suppression
- The security lock guarantees electromagnetic compatibility because only authorized persons can unlock the snap ferrite with the STAR-TEC key
- The innovative sleek design without sharp edges makes the STAR-TEC blend in on the cable
- The ferrite core is made of NiZn, a material which provides broadband suppression from 30MHz – 1.5GHz
- Material: plastic case PA 6, UL 94 V-0
- Operating temperature: -25°C to 105°C
- **1 Key provided with each std. pack quantity, additional keys sold separately part # 710-74271**

Applications:

- Internal and external computer data and power cable
- Perfect for cables with difficult access because of easy installation and removal
- Reusable because of the key technology therefore perfect for test and measuring purposes



For quantities of 250 and up, call for quote.

MOUSER STOCK NO.	Wurth Electronics Part No.	Impedance (Ω) 25MHz (1 turn)	Impedance (Ω) 25MHz (2 turns)	Impedance (Ω) 100MHz (1 turn)	Impedance (Ω) 100MHz (2 turns)	Cable Dia. (mm)	Dimensions: mm			Price Each		
							a	b	c	1	25	100
710-74271733	74271733	145	607	246	755	4.5-8.0	22.5	35.0	19.0	4.23	3.52	3.11
710-74271722	74271722	151	641	270	783	8.5-12.5	31.5	35.0	28.0	8.48	7.06	6.25

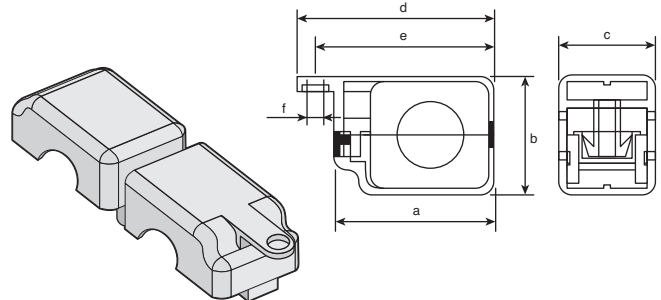
STAR-RING SNAP FERRITES W/SAFETY KEY TECHNOLOGY

Features:

- The STAR-RING outperforms the competition due to its use of a patented no spring design which eliminates air gaps.
- Built in cable guide eases the cable assembling process
- Patented case design prevents air gaps for a perfect EMI suppression
- The security lock guarantees electromagnetic compatibility because only authorized persons can unlock the snap ferrite with the STAR-TEC key
- The innovative sleek design without any sharp edges makes the STAR-TEC blend in on the cable
- The ferrite core is made of NiZn, a material which provides broadband suppression from 30MHz – 1.5GHz
- Material: plastic case PA 6, UL 94 V-0
- **1 Key provided with each std. pack quantity, additional keys sold separately part # 710-74271**
- Operating temperature: -25°C to 105°C
- Reinforced hinge design out performs competition.

Applications:

- Internal and external computer data and power cable
- Perfect for cables with difficult access because of easy installation and removal
- Reusable because of the key technology therefore perfect for test and measuring



For quantities of 250 and up, call for quote.

MOUSER STOCK NO.	Wurth Electronics Part No.	Impedance (Ω) 25MHz (1 turn)	Impedance (Ω) 25MHz (2 turns)	Impedance (Ω) 100MHz (1 turn)	Impedance (Ω) 100MHz (2 turns)	Max Cable Dia. (mm)	A Dia. (mm)	B Dia. (mm)	Dimensions: mm							Price Each		
									a	b	c	d	e	f	1	25	100	
710-7427153	7427153	83	304	165	572	8.00	8.15	17.00	23.0	20.0	20.0	30.0	25.5	3.5	2.13	1.67	1.57	
710-7427151	7427151	64	242	119	443	14.50	15.00	17.00	32.0	30.0	20.0	40.0	36.5	3.5	3.04	2.52	2.24	
710-7427154	7427154	71	271	130	495	16.00	16.30	17.00	35.0	32.0	20.0	43.0	39.5	3.5	3.51	2.92	2.59	
710-7427155	7427155	142	205	327	401	27.00	27.50	17.00	48.0	44.0	20.0	55.0	51.5	3.5	9.05	7.54	6.68	

SAFETY KEY

Features:

- Guarantees electromagnetic compatibility
- Only authorized persons can unlock the ferrite
- Ferrites become reusable because of the key

MOUSER STOCK NO.	Wurth Electronics Part No.	Description	Price Each
710-74271	74271	Safety Key, Black	.34

