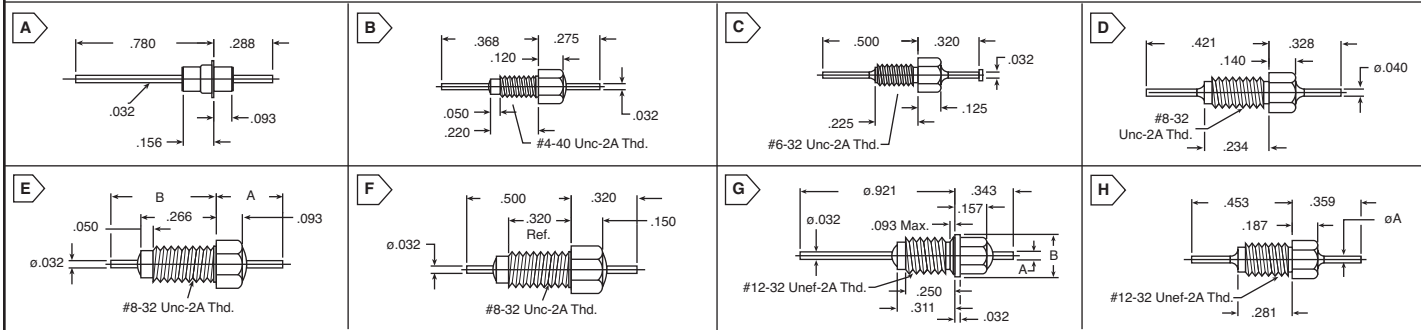


SPECTRUM ASP EMI Low Pass Filters



DIMENSIONS: in.



EMI Suppression

SOLDER-IN PI CIRCUIT FILTERS

Solder-in filters are ideal for use in critical areas where space does not allow use of mounting tools or hardware. The solder-in feature also allows installation in unison with other board mounted components. Primarily used in filtering signal/data lines and DC power lines.

- Features:**
- Small size to allow effective use of space
 - Voltage ratings to 200VDC
 - Ampere: 10
 - High temperature construction to prevent reflow during installation
 - RoHS Compliant per Spectrum ASP documentation
- RoHS Compliant
For quantities of 25 and up, call for quote.

MOUSER STOCK NO.	Spectrum ASP Part No.	Fig.	Hex.	VDC (125°C)	Min Cap	Minimum Insertion Loss (dB)				Price Each		
						1MHz	10MHz	100MHz	1GHz	1	5	10
* 657-1214F-001	1214F-001	A	---	200	1750pF	---	5	50	60	4.27	4.07	3.69

* With Turret on one end

Spectrum ASP

RESIN SEALED BOLT-IN FILTERS

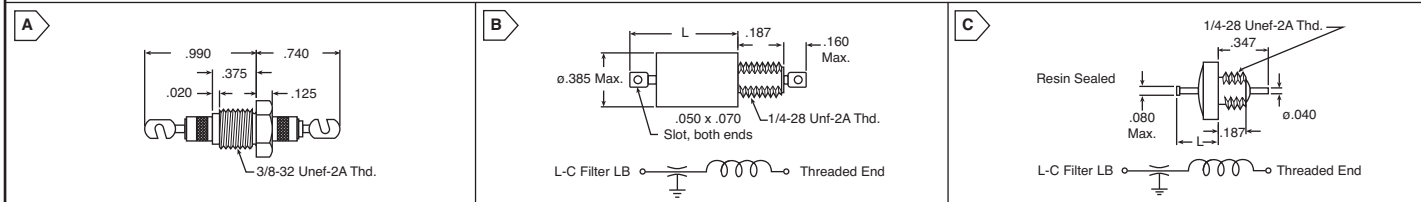
These filters are easily mounted in a tapped hole or thru-hole with supplied nut and lock-washer. The rugged case with resin seals at both ends provides excellent environmental protection. Primarily used in filtering signal/data lines and DC power lines.

- Features:**
- Ampere: 10
 - RoHS Compliant per Spectrum ASP documentation
- RoHS Compliant
For quantities of 25 and up, call for quote.

MOUSER STOCK NO.	Spectrum ASP Part No.	Fig.	Dimensions: in.		Hex.	VDC (125°C)	Min Cap	Minimum Insertion Loss (dB)				Price Each			
			A	B				1MHz	10MHz	100MHz	1GHz	1	5	10	
C Circuit 4-40 Thread															
657-9900F-381-6004	9900F-381-6004	B	---	---	0.156	50	5000 pF	---	15	30	45	6.85	6.52	6.19	
657-9900F-381-6020	9900F-381-6020	B	---	---	0.156	200	100 pF	---	---	3	20	6.68	6.36	6.04	
LB Circuit 6-32 Thread															
657-51F-726-002	51F-726-002	C	---	---	0.156	100	0.022 μF	7	27	43	60	7.43	7.08	6.73	
C Circuit 8-32 Thread															
657-54F-785-005	54F-785-005	D	---	---	0.187	100	0.05 μF	15	34	45	60	7.56	7.20	6.84	
PI Circuit 8-32 Thread															
657-1250F-054	1250F-054	F	0.312	0.500	0.187	70	5000 pF	---	20	65	70	8.37	7.91	7.31	
657-1293F-001	1293F-001	E	---	---	0.187	70	0.060 μF	10	38	75	75	16.02	15.21	14.04	
* † 657-51-712-063 Δ	51-712-063	E	0.312	0.500	0.187	100	5500 pF	---	15	65	70	9.41	8.96	8.51	
657-1250F-003	1250F-003	E	0.312	0.890	0.187	200	3000 pF	---	5	45	60	7.07	6.79	6.50	
† 657-51F-712-001	51F-712-001	E	0.312	0.890	0.187	200	3000 pF	---	5	42	70	5.94	5.66	5.38	
** 657-51F-744-002	51F-744-002	E	0.265	0.413	0.187	200	5500 pF	---	14	55	70	6.03	5.74	5.45	
PI Circuit 12-32 Thread															
† 657-1270F-016	1270F-016	G	0.032	0.250	0.187	100	5500 pF	---	20	65	70	6.67	6.39	6.12	
657-1270F-025	1270F-025	G	0.032	0.235	0.187	100	5500 pF	---	20	65	70	6.47	6.20	6.12	
657-51F-719-011	51F-719-011	H	0.040	---	0.250	500	3000 pF	---	12	45	60	5.96	5.68	5.40	

* 5 Ampere † with Turret lead ** Supplied with .040 diameter lead Δ Not RoHS Compliant

DIMENSIONS: in.



HIGH CURRENT / HIGH VOLTAGE RESIN SEALED FILTERS

High current filters are ideal for use in high current 5 volt logic buss, but also can be used for 48 VDC telephone rack buss, high current switch mode power supplies and DC charging systems. High voltage filters find use in high voltage power supplies and applications requiring U.L. Hi-Pot.

- Features:**
- Continuous voltage ratings up to 1250 VDC/240 VAC (400Hz)
 - Rugged bolt-in style for easy installation
 - Ampere: 25
 - RoHS Compliant per Spectrum ASP documentation
- RoHS Compliant
For quantities of 25 and up, call for quote.

PI Circuit 3/8-32 Thread

MOUSER STOCK NO.	Spectrum ASP Part No.	Fig.	Hex.	VDC (125°C)	Min Cap	Minimum Insertion Loss (dB)				Price Each		
						1 MHz	10 MHz	100 MHz	1 GHz	1	5	10
657-1280F-060	1280F-060	A	0.500	2500	1500 pF	----	5	50	50	25.10	23.85	22.02

HERMETICALLY SEALED THREADED CASE FILTERS

This series of filters features hermetic glass seals and high EMI filtering performance. They are excellent for critical applications that demand high reliability in the toughest environmental conditions and provide broad-band high performance EMI filtering from 10KHz to over 10GHz.

- Features:**
- .375" case diameters
 - Voltage ratings from 50 VDC to 200 VDC
 - 1/4-28 Thread
 - RoHS Compliant per Spectrum ASP documentation
- RoHS Compliant
For quantities of 25 and up, call for quote.

MOUSER STOCK NO.	Spectrum ASP Part No.	Fig.	Hex.	VDC (125°C)	Min Cap	CKT	Max L (In.)	Minimum Insertion Loss (dB)				Price Each			
								1MHz	10MHz	100MHz	1GHz	1	5	10	
.375 L Circuit Standard Low Profile - 15 Amp															
657-9051F-100-0000	9051F-100-0000	B	---	50	1.200μF	LB	0.370	44	60	70	70	22.74	21.66	20.58	
657-51F-717-001	51F-717-001	C	---	50	1.400μF	LB	0.325	44	60	70	70	25.00	22.00	19.00	

© Copyright 2009 Mouser Electronics

© Copyright 2009 Mouser Electronics

