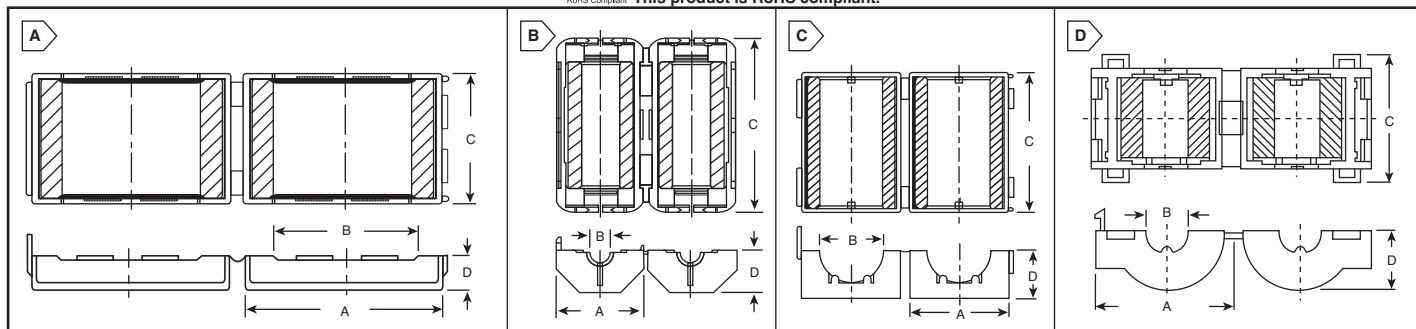


FAIR-RITE EMI Suppression Ferrite Cores



RoHS Compliant. This product is RoHS compliant.



EMI SUPPRESSION CORES WITH CASES

DIMENSIONS: in.

Flat Cable Cores with Cases

- Case material: Polypropylene
- Flammability rating: UL94-V0

RoHS Compliant

For quantities of 100 and up, call for quote.

MOUSER STOCK NO.	Fair-Rite Part No.	Fig.	Typ. Imp. (Ω) @ 100MHz	Typ. Imp. (Ω) @ 10MHz	Dimensions: in.				Price Each		
					A	B	C	D	1	10	50
623-0443166651	0443166651	A	225	---	1.950	1.350	1.272	.320	2.70	2.42	2.39
623-0443163951	0443163951	A	235	35	2.670	2.050	1.272	.320	3.79	3.51	3.45
623-0443164051	0443164051	A	215	---	3.180	2.570	1.272	.320	5.79	5.21	5.04

Round Cable Cores with Cases

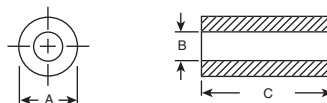
For quantities of 100 and up, call for quote.

MOUSER STOCK NO.	Fair-Rite Part No.	Fig.	Typ. Imp. (Ω) @ 10MHz	Typ. Imp. (Ω) @ 25MHz	Typ. Imp. (Ω) @ 100MHz	Typ. Imp. (Ω) @ 250MHz	Typ. Imp. (Ω) @ 500MHz	Dimensions: in.				Price Each		
								A	B	C	D	1	10	50
Material 31														
623-0431164181	0431164181	B	100	156	260	---	---	1.220	0.512	1.550	0.600	3.64	3.60	2.87
623-0431164281	0431164281	B	113	188	310	---	---	0.788	0.260	1.550	0.385	2.13	1.81	1.48
623-0431164951	0431164951	B	100	169	280	---	---	0.680	0.200	1.420	0.331	1.64	1.37	1.33
623-0431167281	0431167281	B	81	144	240	---	---	0.933	0.400	1.550	0.460	2.64	2.33	1.80
623-0431173951	0431173951	B	60	100	180	---	---	0.504	0.200	0.984	0.220	1.27	1.19	.909
623-0431176451	0431176451	B	130	225	380	---	---	1.520	0.722	1.870	0.754	6.99	6.30	6.17
623-0431177081	0431177081	B	145	235	375	---	---	2.220	1.000	1.690	1.080	17.00	14.70	11.32
Material 43														
623-0443164151	0443164151	C	---	156	250	---	---	1.142	0.528	1.280	0.583	3.34	3.09	2.75
623-0443164251	0443164251	C	---	163	275	---	---	0.705	0.275	1.272	0.362	1.87	1.74	1.61
623-0443167251	0443167251	C	---	138	225	---	---	0.870	0.402	1.272	0.433	2.00	1.61	1.55
623-0443625006	0443625006	D	---	50	113	---	---	0.972	0.311	0.898	0.402	1.07	.98	.874
623-0443665806	0443665806	D	---	41	88	---	---	1.035	0.362	0.843	0.433	1.47	1.24	1.20
623-0443800506	0443800506	D	---	35	75	---	---	1.169	0.504	0.811	0.500	1.59	1.48	1.32
623-0443806406	0443806406	D	---	43	90	---	---	1.350	0.591	0.835	0.591	1.08	.99	.96
Material 44														
623-0444164181	0444164181	B	---	138	230	---	---	1.220	0.512	1.550	0.600	2.21	2.10	2.00
623-0444164281	0444164281	B	---	156	260	---	---	0.788	0.260	1.550	0.385	1.61	1.48	1.34
623-0444167281	0444167281	B	---	125	210	---	---	0.933	0.400	1.550	0.461	1.97	1.85	1.65
623-0444173951	0444173951	B	---	94	150	---	---	0.504	0.200	0.984	0.220	1.02	.90	.88
623-0444176451	0444176451	B	---	175	365	---	---	1.520	0.722	1.870	0.754	6.93	6.24	5.40
623-0444177081	0444177081	B	---	195	340	---	---	2.220	1.000	1.690	1.080	14.71	13.47	12.25
Material 61														
623-0461164181	0461164181	B	---	---	206	334	475	1.220	0.512	1.550	0.600	3.37	3.28	3.18
623-0461164281	0461164281	B	---	---	269	395	430	0.788	0.260	1.550	0.385	2.42	2.36	2.32
623-0461167281	0461167281	B	---	---	195	315	450	0.933	0.400	1.550	0.461	1.66	1.60	1.50

EMI SUPPRESSION CORES

RoHS Compliant

Recommended suppression materials of unwanted signals between 10MHz and 1000MHz



For quantities of 2000 and up, call for quote.

MOUSER STOCK NO.	Fair-Rite Part No.	Typ. Imp. (Ω) @ 10MHz	Typ. Imp. (Ω) @ 25MHz	Typ. Imp. (Ω) @ 100MHz	Typ. Imp. (Ω) @ 250MHz	Typ. Imp. (Ω) @ 1000MHz	Dimensions: in.			Price Each			
							A	B	C	1	100	500	1000
Material 31													
623-2631102002	2631102002	103	156	260	---	---	1.020	0.505	1.125	1.90	1.64	1.46	1.42
623-2631480002	2631480002	115	175	295	---	---	0.485	0.200	1.000	.50	.421	.41	.41
623-2631480102	2631480102	58	88	140	---	---	0.485	0.200	0.500	.49	.43	.40	.37
623-2631540002	2631540002	119	181	300	---	---	0.562	0.250	1.125	1.02	.716	.652	.652
623-2631665702	2631665702	89	138	225	---	---	0.687	0.375	1.125	.75	.65	.62	.57
Material 43													
623-2643102002	2643102002	---	145	235	---	---	1.020	0.505	1.125	1.67	1.47	1.35	1.25
623-2643480002	2643480002	---	165	236	---	---	0.485	0.200	1.000	.54	.45	.44	.44
623-2643540002	2643540002	---	171	250	---	---	0.562	0.250	1.125	.63	.48	.454	.454
623-2643625002	2643625002	---	70	113	---	---	0.625	0.312	0.562	.50	.32	.305	.30
623-2643625202	2643625202	---	235	384	---	---	0.625	0.312	2.000	1.25	1.11	1.00	.91
623-2643626402	2643626402	---	128	196	---	---	0.735	0.400	1.125	.98	.75	.72	.72
623-2643665702	2643665702	---	125	200	---	---	0.687	0.375	1.125	1.03	.65	.58	.57
623-2643665802	2643665802	---	55	88	---	---	0.687	0.375	0.500	.69	.333	.316	.30
623-2643800502	2643800502	---	45	82	---	---	0.825	0.520	0.468	.48	.41	.38	.355
623-2643801002	2643801002	---	28	47	---	---	1.142	0.748	0.295	.63	.503	.439	.432
623-2643802702	2643802702	---	48	80	---	---	1.400	0.900	0.500	1.23	.92	.84	.84
623-2643803802	2643803802	---	58	108	---	---	2.400	1.400	0.500	3.83	3.13	3.00	3.00
Material 61													
623-2661102002	2661102002	---	---	225	310	275	1.020	0.505	1.125	3.25	2.78	2.56	2.56
623-2661540002	2661540002	---	---	250	310	260	0.562	0.250	1.125	1.68	1.44	1.08	.84

EMI Suppression

Fair-Rite