

CTS Clock Oscillators and Crystals



RoHS Compliant This product is RoHS compliant.

CTS MODEL 636 SMD HCMOS/TTL CLOCK OSCILLATORS (5.0X3.2X1.3)

Ceramic packaged clock oscillator offering reduced size and enhanced stability.

Features:

- Standard 5.0x3.2mm Surface Mount Footprint
- HCMOS/TTL Compatible
- +3.3VDC Operation
- Operating Temperature: -20°C to +70°C
- Frequency Stability: ±50ppm Standard
- Frequency Range: 1.0 - 125MHz
- Output Enable Standard
- Fundamental and 3rd Overtone Crystals



RoHS Compliant

For quantities of 1000 and up, call for quote.

MOUSER STOCK NO.	CTS Part No.	Fig.	Frequency (MHz)	Price Each			
				1	10	100	500
774-636L3C014M7	636L3C014M74560	A	14.74560	3.92	3.13	2.61	1.73
774-636L3C016M0	636L3C016M00000	A	16.00000	3.92	3.13	2.61	1.73
774-636L3C016M3	636L3C016M38400	A	16.38400	3.92	3.13	2.61	1.73
774-636L3C018M4	636L3C018M43200	A	18.43200	3.92	3.13	2.61	1.73
774-636L3C020M0	636L3C020M00000	A	20.00000	3.92	3.13	2.61	1.73
774-636L3C020M4	636L3C020M48000	A	20.48000	3.92	3.13	2.61	1.73
774-636L3C024M0	636L3C024M00000	A	24.00000	3.92	3.13	2.61	1.73
774-636L3C025M0	636L3C025M00000	A	25.00000	3.92	3.13	2.61	1.73
774-636L3C032M7	636L3C032M76800	A	32.76800	3.92	3.13	2.61	1.73
774-636L3C033M0	636L3C033M00000	A	33.00000	3.92	3.13	2.61	1.73
774-636L3C044M0	636L3C044M00000	A	44.00000	3.92	3.13	2.61	1.73
774-636L3C048M0	636L3C048M00000	A	48.00000	3.92	3.13	2.61	1.73

CTS MODEL 357 SMD VOLTAGE CONTROLLED CRYSTAL OSCILLATORS (VCXO) (7X5X2)

Ceramic packaged voltage controlled oscillator offering reduced size and enhanced stability.

Features:

- Standard 7x5mm Surface Mount Footprint
- HCMOS/TTL Compatible Output
- Frequency Range: 1.5 - 77.76MHz
- Frequency Stability: ±50ppm Standard
- APR: ±50ppm Standard
- +3.3VDC Operation
- Operating Temperature: -40°C to +85°C
- Output Enable Standard
- Low Phase Jitter, NON-Multiplied



RoHS Compliant

For quantities of 1000 and up, call for quote.

MOUSER STOCK NO.	CTS Part No.	Fig.	Frequency (MHz)	Price Each			
				1	10	100	500
774-357LB3I027M0	357LB3I027M0000	B	27.00000	6.86	5.49	4.58	3.04

CTS MXO45 AND MXO45HS SERIES THRU HOLE CLOCK OSCILLATORS

The MXO45/MXO45HS are DIP packaged clock oscillators offering reliable performance at an economical cost.

Features:

- Standard 14 Pin or 8 Pin DIP Footprint
- HCMOS/TTL Compatible
- Fundamental and 3rd Overtone Crystals
- Frequency Range: 1.0 - 105.561MHz
- Frequency Stability: ±50 ppm Standard
- +5.0VDC Operation
- Operating Temperature: 20°C to +70°C
- Output Enable Option

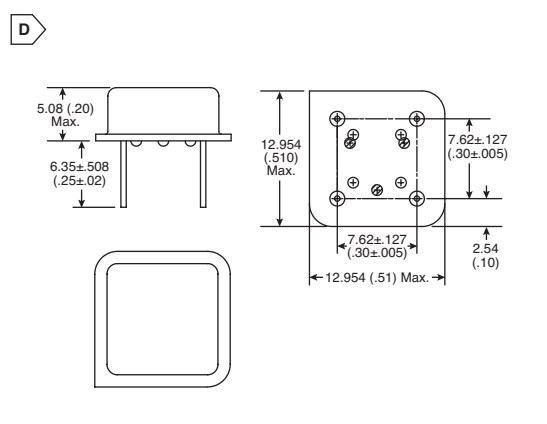
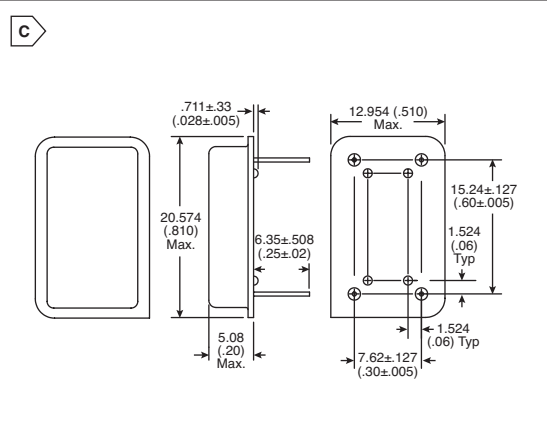
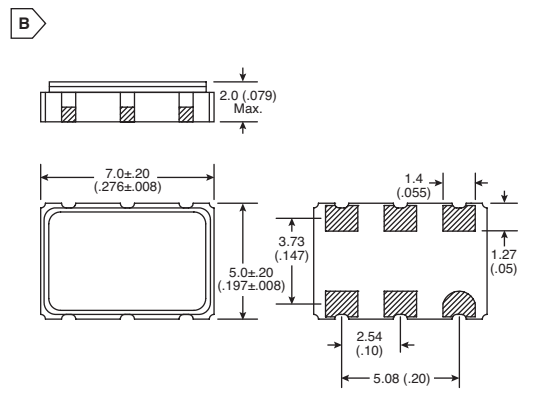
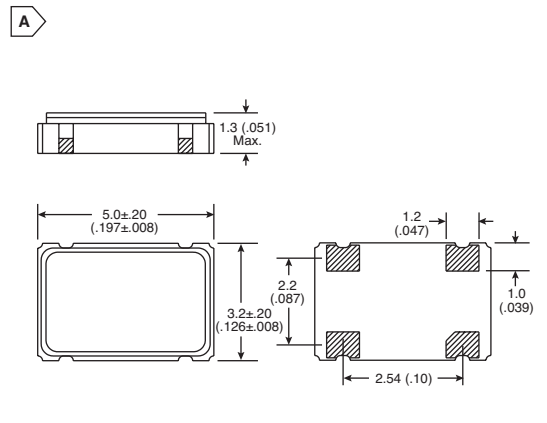


RoHS Compliant

For quantities of 250 and up, call for quote.

MOUSER STOCK NO.	CTS Part No.	Fig.	Frequency (MHz)	Price Each		
				1	10	100
Standard						
774-MXO45-3C-1.0	MXO45-3C-1M0000	C	1.00000	2.94	2.14	1.82
774-MXO45-3C-3.6	MXO45-3C-3M6864	C	3.68640	2.94	2.14	1.82
774-MXO45-3C-4.0	MXO45-3C-4M0000	C	4.00000	2.94	2.14	1.82
774-MXO45-3C-10.0	MXO45-3C-10M0000	C	10.00000	2.94	2.14	1.82
774-MXO45-3C-12.0	MXO45-3C-12M0000	C	12.00000	2.94	2.14	1.82
774-MXO45-3C-16.0	MXO45-3C-16M0000	C	16.00000	2.94	2.14	1.82
774-MXO45-3C-20.0	MXO45-3C-20M0000	C	20.00000	2.94	2.14	1.82
774-MXO45-3C-24.0	MXO45-3C-24M0000	C	24.00000	2.94	2.14	1.82
774-MXO45-3C-40.0	MXO45-3C-40M0000	C	40.00000	2.94	2.14	1.82
774-MXO45-3C-50.0	MXO45-3C-50M0000	C	50.00000	2.94	2.14	1.82
Tri-State						
774-MXO45T-3C-1.0	MXO45T-3C-1M0000	C	1.00000	2.78	2.46	2.19
774-MXO45T-3C-3.6	MXO45T-3C-3M6864	C	3.68640	2.78	2.46	2.19
774-MXO45T-3C-4.0	MXO45T-3C-4M0000	C	4.00000	2.78	2.46	2.19
774-MXO45T-3C-10.0	MXO45T-3C-10M0000	C	10.00000	2.78	2.46	2.19
774-MXO45T-3C-12.0	MXO45T-3C-12M0000	C	12.00000	2.78	2.46	2.19
774-MXO45T-3C-16.0	MXO45T-3C-16M0000	C	16.00000	2.78	2.46	2.19
774-MXO45T-3C-20.0	MXO45T-3C-20M0000	C	20.00000	2.78	2.46	2.19
774-MXO45T-3C-24.0	MXO45T-3C-24M0000	C	24.00000	2.78	2.46	2.19
774-MXO45T-3C-40.0	MXO45T-3C-40M0000	C	40.00000	2.78	2.46	2.19
774-MXO45T-3C-50.0	MXO45T-3C-50M0000	C	50.00000	2.78	2.46	2.19
Standard						
774-MXO45HS-3C-1.0	MXO45HS-3C-1M0000	D	1.00000	2.78	2.46	2.19
774-MXO45HS-3C-3.6	MXO45HS-3C-3M6864	D	3.68640	2.78	2.46	2.19
774-MXO45HS-3C-4.0	MXO45HS-3C-4M0000	D	4.00000	2.78	2.46	2.19
774-MXO45HS-3C-10.0	MXO45HS-3C-10M0000	D	10.00000	2.78	2.46	2.19
774-MXO45HS-3C-12.0	MXO45HS-3C-12M0000	D	12.00000	2.78	2.46	2.19
774-MXO45HS-3C-16.0	MXO45HS-3C-16M0000	D	16.00000	2.78	2.46	2.19
774-MXO45HS-3C-20.0	MXO45HS-3C-20M0000	D	20.00000	2.78	2.46	2.19
774-MXO45HS-3C-24.0	MXO45HS-3C-24M0000	D	24.00000	2.78	2.46	2.19
774-MXO45HS-3C-40.0	MXO45HS-3C-40M0000	D	40.00000	2.78	2.46	2.19
774-MXO45HS-3C-50.0	MXO45HS-3C-50M0000	D	50.00000	2.78	2.46	2.19
Tri-State						
774-MXO45HST-3C-1.0	MXO45HST-3C-1M0000	D	1.00000	2.78	2.46	2.19
774-MXO45HST-3C-4.0	MXO45HST-3C-4M0000	D	4.00000	2.78	2.46	2.19
774-MXO45HST-3C-10.0	MXO45HST-3C-10M0000	D	10.00000	2.78	2.46	2.19
774-MXO45HST-3C-12.0	MXO45HST-3C-12M0000	D	12.00000	2.78	2.46	2.19
774-MXO45HST-3C-16.0	MXO45HST-3C-16M0000	D	16.00000	2.78	2.46	2.19
774-MXO45HST-3C-20.0	MXO45HST-3C-20M0000	D	20.00000	2.78	2.46	2.19
774-MXO45HST-3C-24.0	MXO45HST-3C-24M0000	D	24.00000	2.78	2.46	2.19
774-MXO45HST-3C-40.0	MXO45HST-3C-40M0000	D	40.00000	2.78	2.46	2.19
774-MXO45HST-3C-50.0	MXO45HST-3C-50M0000	D	50.00000	2.78	2.46	2.19

DIMENSIONS: mm (in.)



Frequency Control

CTS