

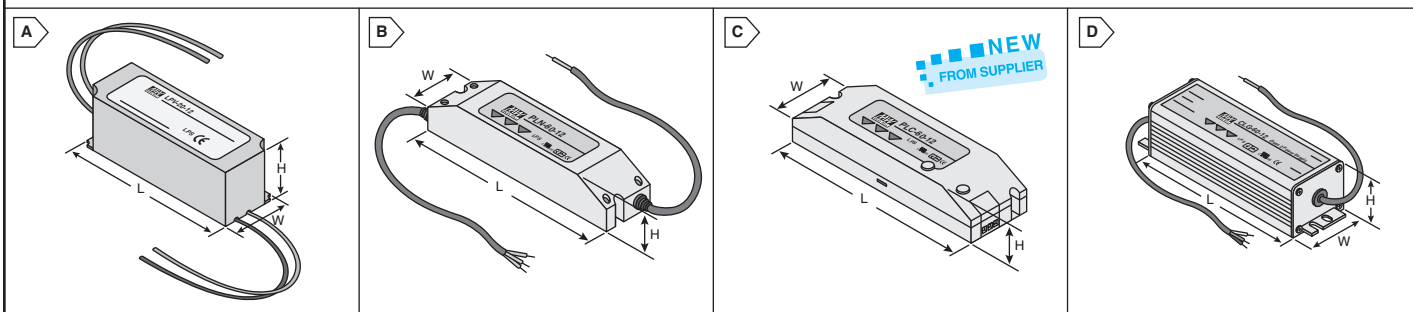
MEAN WELL Switching Power Supplies



This product is RoHS compliant.

Opto Drivers
Mean Well

DIMENSIONS: mm



MEAN WELL 15-154W SINGLE OUTPUT LED/ENCAPSULATED POWER SUPPLIES

Features:

- Suitable for LED lighting & moving signs
- Short circuit and over voltage protection
- Fully isolated plastic case
- Cooling by free air convection
- 100% full load burn-in test
- EN61347-2-13 approved



For quantities of 50 and up, call for quote.

MOUSER STOCK NO.	Mean Well Part No.	Fig.	Output Voltage	Output Current	Power	Dim.: mm			Price Each		
						L	W	H	1	10	20
LPH-18 Series • Input Range: 180-264VAC											
709-LPH18-12	LPH-18-12	A	12V	1.5A	18W	140	30	20	19.30	17.35	15.61
709-LPH18-24	LPH-18-24	A	24V	0.75A	18W	140	30	20	19.30	17.35	15.61
709-LPH18-36	LPH-18-36	A	36V	0.5A	18W	140	30	20	19.30	17.35	15.61
LPC-20 Series • Input Range: 90-264VAC											
709-LPC20-350	LPC-20-350	A	48V	350mA	16.8W	118	35	26	27.65	24.86	22.37
709-LPC20-700	LPC-20-700	A	30V	700mA	21W	118	35	26	27.65	24.86	22.37
LPV-20 Series • Input Range: 90-264VAC											
709-LPV20-5	LPV-20-5	A	5V	3A	15W	118	35	26	27.65	24.86	22.37
709-LPV20-12	LPV-20-12	A	12V	1.67A	20W	118	35	26	27.65	24.86	22.37
709-LPV20-15	LPV-20-15	A	15V	1.33A	20W	118	35	26	27.65	24.86	22.37
709-LPV20-24	LPV-20-24	A	24V	0.84A	20.2W	118	35	26	27.65	24.86	22.37
ELN-30 Series • Input Range: 90-264VAC											
709-ELN30-5	ELN-30-5	B	5V	5A	25W	145	47	30	48.10	43.25	38.91
709-ELN30-9	ELN-30-9	B	9V	3.4A	30.6W	145	47	30	48.10	43.25	38.91
709-ELN30-12	ELN-30-12	B	12V	2.5A	30W	145	47	30	48.10	43.25	38.91
709-ELN30-15	ELN-30-15	B	15V	2A	30W	145	47	30	48.10	43.25	38.91
709-ELN30-24	ELN-30-24	B	24V	1.25A	30W	145	47	30	48.10	43.25	38.91
709-ELN30-27	ELN-30-27	B	27V	1.12A	30.24W	145	47	30	48.10	43.25	38.91
709-ELN30-48	ELN-30-48	B	48V	0.63A	30.24W	145	47	30	48.10	43.25	38.91
PLC-30 Series • Input Range: 90-264VAC											
709-PLC30-9	PLC-30-9	C	9V	3.3A	29.7W	160	46	30	47.81	42.99	38.68
709-PLC30-12	PLC-30-12	C	12V	2.5A	30W	160	46	30	47.81	42.99	38.68
709-PLC30-15	PLC-30-15	C	15V	2A	30W	160	46	30	47.81	42.99	38.68
709-PLC30-20	PLC-30-20	C	20V	1.5A	30W	160	46	30	47.81	42.99	38.68
709-PLC30-24	PLC-30-24	C	24V	1.25A	30W	160	46	30	47.81	42.99	38.68
709-PLC30-27	PLC-30-27	C	27V	1.12A	30.24W	160	46	30	47.81	42.99	38.68
709-PLC30-36	PLC-30-36	C	36V	0.84A	30.24W	160	46	30	47.81	42.99	38.68
709-PLC30-48	PLC-30-48	C	48V	0.63A	30.24W	160	46	30	47.81	42.99	38.68
PLN-30 Series • Input Range: 90-264VAC											
709-PLN30-9	PLN-30-9	B	9V	3.3A	39.7W	145	47	30	41.00	38.00	36.66
709-PLN30-12	PLN-30-12	B	12V	2.5A	30W	145	47	30	41.00	38.00	36.66
709-PLN30-15	PLN-30-15	B	15V	2A	30W	145	47	30	41.00	38.00	36.66
709-PLN30-20	PLN-30-20	B	20V	1.5A	30W	145	47	30	41.00	38.00	36.66
709-PLN30-24	PLN-30-24	B	24V	1.25A	30W	145	47	30	41.00	38.00	36.66
709-PLN30-27	PLN-30-27	B	27V	1.12A	30.24W	145	47	30	41.00	38.00	36.66
709-PLN30-36	PLN-30-36	B	36V	0.84A	30.21W	145	47	30	41.00	38.00	36.66
709-PLN30-48	PLN-30-48	B	48V	0.63A	30.21W	145	47	30	41.00	38.00	36.66
LPC-35 Series • Input Range: 90-264VAC											
709-LPC35-700	LPC-35-700	A	48V	700mA	33.6W	148	40	30	43.20	38.85	34.95
709-LPC35-1050	LPC-35-1050	A	30V	1050mA	31.5W	148	40	30	43.20	38.85	34.95
709-LPC35-1400	LPC-35-1400	A	24V	1400mA	33.6W	148	40	30	43.20	38.85	34.95
LPV-35 Series • Input Range: 90-264VAC											
709-LPV35-5	LPV-35-5	A	5V	6A	30W	148	40	30	43.20	38.85	34.95
709-LPV35-12	LPV-35-12	A	12V	3A	36W	148	40	30	43.20	38.85	34.95
709-LPV35-15	LPV-35-15	A	15V	2.4A	36W	148	40	30	43.20	38.85	34.95
709-LPV35-24	LPV-35-24	A	24V	1.5A	36W	148	40	30	43.20	38.85	34.95
709-LPV35-36	LPV-35-36	A	36V	1A	36W	148	40	30	43.20	38.85	34.95
CLG-60 Series • Input Range: 90-264VAC											
709-CLG60-12	CLG-60-12	D	12V	5A	60W	172	61.5	39	83.72	72.00	69.23
709-CLG60-15	CLG-60-15	D	15V	4A	60W	173	61.6	40	83.72	72.00	69.23
709-CLG60-20	CLG-60-20	D	20V	3A	60W	174	61.7	41	83.72	72.00	69.23
709-CLG60-27	CLG-60-27	D	27V	2.3A	62.1A	175	61.8	42	83.72	72.00	69.23
709-CLG60-36	CLG-60-36	D	36V	1.7A	61W	176	61.9	43	83.72	72.00	69.23
709-CLG60-48	CLG-60-48	D	48V	1.3A	62.5W	177	61.1	44	83.72	72.00	69.23
ELN-60 Series • Input Range: 90-264VAC											
709-ELN60-9	ELN-60-9	B	9V	5A	45W	181	61.5	35	53.57	48.17	43.34
709-ELN60-12	ELN-60-12	B	12V	5A	60W	181	61.5	35	53.57	48.17	43.34
709-ELN60-15	ELN-60-15	B	15V	4A	60W	181	61.5	35	53.57	48.17	43.34
709-ELN60-24	ELN-60-24	B	24V	2.5A	60W	181	61.5	35	53.57	48.17	43.34
709-ELN60-27	ELN-60-27	B	27V	2.3A	62.1W	181	61.5	35	53.57	48.17	43.34

For quantities of 50 and up, call for quote.

MOUSER STOCK NO.	Mean Well Part No.	Fig.	Output Voltage	Output Current	Power	Dim.: mm			Price Each		
						L	W	H	1	10	20
ELN-60 Series Cont.											
709-ELN60-48	ELN-60-48	B	48V	1.3A	62.5W	181	61.5	35	53.57	48.17	43.34
LPC-60 Series • Input Range: 90-264VAC											
709-LPC60-1050	LPC-60-1050	A	48V	1050mA	50.4W	162	42	30	49.54	44.55	40.08
709-LPC60-1400	LPC-60-1400	A	42V	1400mA	58.8W	162	42	30	49.54	44.55	40.08
709-LPC60-1750	LPC-60-1750	A	34V	1750mA	59.5W	162	42	30	49.54	44.55	40.08
LPV-60 Series • Input Range: 90-264VAC											
709-LPV60-5	LPV-60-5	A	5V	8A	40W	162	42	30	49.54	44.55	40.08
709-LPV60-12	LPV-60-12	A	12V	5A	60W	162	42	30	49.54	44.55	40.08
709-LPV60-15	LPV-60-15	A	15V	4A	60W	162	42	30	49.54	44.55	40.08
709-LPV60-24	LPV-60-24	A	24V	2.5A	60W	162	42	30	49.54	44.55	40.08
709-LPV60-36	LPV-60-36	A	36V	1.67A	60W	162	42	30	49.54	44.55	40.08
709-LPV60-48	LPV-60-48	A	48V	1.25A	60W	162	42	30	49.54	44.55	40.08
PLC-60 Series • Input Range: 90-264VAC											
709-PLC60-12	PLC-60-12	C	12V	5A	60W	181.5	62	35	72.29	65.01	58.48
709-PLC60-15	PLC-60-15	C	15V	4A	60W	181.5	62	35	72.29	65.01	58.48
709-PLC60-20	PLC-60-20	C	20V	3A	60W	181.5	62	35	72.29	65.01	58.48
709-PLC60-24	PLC-60-24	C	24V	2.5A	60W	181.5	62	35	72.29	65.01	58.48
709-PLC60-27	PLC-60-27	C	27V	2.3A	62.1W	181.5	62	35	72.29	65.01	58.48
709-PLC60-36	PLC-60-36	C	36V	1.7A	61W	181.5	62	35	72.29	65.01	58.48
709-PLC60-48	PLC-60-48	C	48V	1.3A	62.5W	181.5	62	35	72.29	65.01	58.48
PLN-60 Series • Input Range: 90-264VAC											
709-PLN60-12	PLN-60-12	B	12V	5A	60W	181	61.5	35	55.00	51.00	49.73
709-PLN60-15	PLN-60-15	B	15V	4A	60W	181.5	62	35	55.00	51.00	49.73
709-PLN60-20	PLN-60-20	B	20V	5A	60W	183	61.7	37	55.00	51.00	49.73
709-PLN60-24	PLN-60-24	B	24V	5A	60W	184	61.8	38	55.00	51.00	49.73
709-PLN60-27	PLN-60-27	B	27V	2.3A	62.1W	185	61.9	39	55.00	51.00	49.73
709-PLN60-36	PLN-60-36	B	36V	1.7A	61W	186	61.1	40	55.00	51.00	49.73
709-PLN60-48	PLN-60-48	B	48V	1.3A	62.5W	187	61.11	41	55.00	51.00	49.73
CLG-100 Series • Input Range: 90-264VAC											
709-CLG100-12	CLG-100-12	D	12V	5A	60W	222	68	39	111.92	96.25	92.55
709-CLG100-15	CLG-100-15	D	15V	5A	75W	222	68	39	111.92	96.25	92.55
709-CLG100-20	CLG-100-20	D	20V	4.8A	96W	222	68	39	111.92	96.25	92.55
709-CLG100-24	CLG-100-24	D	24V	4A	96W	222	68	39	111.92	96.25	92.55
709-CLG100-27	CLG-100-27	D	27V	3.55A	95.85W	222	68	39	111.92	96.25	92.55
709-CLG100-36	CLG-100-36	D	36V	2.65A	95.4W	222	68	39	111.92	96.25	92.55
709-CLG100-48	CLG-100-48	D	48V	2A	96W	222					