

ABRACON Programmable and MEMS Clock Oscillators



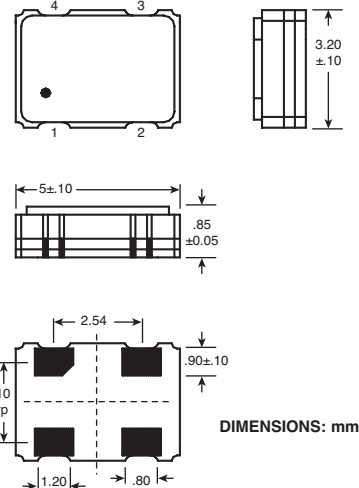
RoHS Compliant This product is RoHS compliant.

ULTRA MINIATURE PURE SILICON MEMS CLOCK OSCILLATORS, 5 X 3.2mm

- Features:**
- Ultra Miniature Pure Silicon™ Clock Oscillator
 - MEMS Technology by Discera™
 - Harsh Environment Industrial Equipment
 - RF Oscillator
 - High Shock Resistance

For quantities of 500 and up, call for quote.

MOUSER STOCK NO.	Abracon Part No.	Voltage	Tolerance	Price Each				Reel Qty.	Price Each
				1	10	50	100		
815-ASFLM1-1.8-T	ASFLM1-1.8432MHZ-C-T	3.3V	50ppm	2.10	1.75	1.57	1.39	1000	.97
815-ASFLM1-3.6-T	ASFLM1-3.6864MHZ-C-T	3.3V	50ppm	2.10	1.75	1.57	1.39	1000	.97
815-ASFLM1-4.0-T	ASFLM1-4.000MHZ-C-T	3.3V	50ppm	2.10	1.75	1.57	1.39	1000	.97
815-ASFLM1-7.3-T	ASFLM1-7.3728MHZ-C-T	3.3V	50ppm	2.10	1.75	1.57	1.39	1000	.97
815-ASFLM1-8.0-T	ASFLM1-8.000MHZ-C-T	3.3V	50ppm	2.10	1.75	1.57	1.39	1000	.97
815-ASFLM1-10.0-T	ASFLM1-10.000MHZ-C-T	3.3V	50ppm	2.10	1.75	1.57	1.39	1000	.97
815-ASFLM1-11.0-T	ASFLM1-11.0592MHZ-C-T	3.3V	50ppm	2.10	1.75	1.57	1.39	1000	.97
815-ASFLM1-12.0-T	ASFLM1-12.000MHZ-C-T	3.3V	50ppm	2.10	1.75	1.57	1.39	1000	.97
815-ASFLM1-14.3-T	ASFLM1-14.31818MHZ-C-T	3.3V	50ppm	2.10	1.75	1.57	1.39	1000	.97
815-ASFLM1-14.7-T	ASFLM1-14.7456MHZ-C-T	3.3V	50ppm	2.10	1.75	1.57	1.39	1000	.97
815-ASFLM1-16.0-T	ASFLM1-16.000MHZ-C-T	3.3V	50ppm	2.10	1.75	1.57	1.39	1000	.97
815-ASFLM1-18.4-T	ASFLM1-18.432MHZ-C-T	3.3V	50ppm	2.10	1.75	1.57	1.39	1000	.97
815-ASFLM1-20.0-T	ASFLM1-20.000MHZ-C-T	3.3V	50ppm	2.10	1.75	1.57	1.39	1000	.97
815-ASFLM1-24.0-T	ASFLM1-24.000MHZ-C-T	3.3V	50ppm	2.10	1.75	1.57	1.39	1000	.97
815-ASFLM1-24.5-T	ASFLM1-24.576MHZ-C-T	3.3V	50ppm	2.10	1.75	1.57	1.39	1000	.97
815-ASFLM1-25.0-T	ASFLM1-25.000MHZ-C-T	3.3V	50ppm	2.10	1.75	1.57	1.39	1000	.97
815-ASFLM1-27.0-T	ASFLM1-27.000MHZ-C-T	3.3V	50ppm	2.10	1.75	1.57	1.39	1000	.97
815-ASFLM1-30.0-T	ASFLM1-30.000MHZ-C-T	3.3V	50ppm	2.10	1.75	1.57	1.39	1000	.97
815-ASFLM1-32.0-T	ASFLM1-32.000MHZ-C-T	3.3V	50ppm	2.10	1.75	1.57	1.39	1000	.97
815-ASFLM1-33.0-T	ASFLM1-33.000MHZ-C-T	3.3V	50ppm	2.10	1.75	1.57	1.39	1000	.97
815-ASFLM1-33.3-T	ASFLM1-33.333MHZ-C-T	3.3V	50ppm	2.10	1.75	1.57	1.39	1000	.97
815-ASFLM1-40.0-T	ASFLM1-40.000MHZ-C-T	3.3V	50ppm	2.10	1.75	1.57	1.39	1000	.97
815-ASFLM1-48.0-T	ASFLM1-48.000MHZ-C-T	3.3V	50ppm	2.10	1.75	1.57	1.39	1000	.97
815-ASFLM1-50.0-T	ASFLM1-50.000MHZ-C-T	3.3V	50ppm	2.10	1.75	1.57	1.39	1000	.97



Frequency Control

Abracon

MEMS OSCILLATOR PROGRAMMER KITS

MEMSpeed Pro™ Deluxe Kit

- Includes:**
- MEMSpeed Pro
 - Two Socket Adapters (5.0 x 3.2 and 3.2 x 2.5mm)
 - USB Cable
 - Tweezers
 - Quickstart Guide and CD-ROM for PC Installation
 - 200 unprogrammed blank oscillators (100 ASFLM-5032 and 100 ASEM-3225)

MOUSER STOCK NO.	Description	Price Each
815-MEMS-PRO	MEMSpeed Pro Deluxe Kit	495.00

MEMSpeed Pro™ Standard 5032 Kit

- Includes:**
- MEMSpeed Pro
 - One Socket Adapters (5.0 x 3.2)
 - USB Cable
 - Tweezers
 - Quickstart Guide and CD-ROM for PC Installation
 - 50 unprogrammed blank oscillators (50 ASFLM-5032)

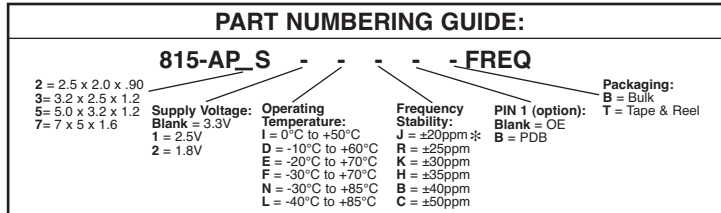
MOUSER STOCK NO.	Description	Price Each
815-MEMS-STD	MEMSpeed Pro Standard 5032 Kit	315.00

NEW
FROM SUPPLIER



PROGRAMMABLE CRYSTAL OSCILLATORS

* Available with "I", "D" or "E" temp options only



AP2SX Series Programmable Oscillators, 2.5 X 2.0mm

- Features:**
- Performance comparable to fixed frequency oscillator
 - Lowest peak-to-peak jitter
 - Low supply current
- Specifications:**
- Frequency Range: 3.3V 1-110 MHz
2.5V 1-90 MHz
1.8V 1-75 MHz

For Reels or quantities greater than listed, call for quote.

MOUSER STOCK NO.	Price Each		
	1	5	25
815-AP2SX-X-X-X-X-Freq	15.38	6.54	6.15

AP3SX Series Programmable Oscillators, 3.2 X 2.5mm

- Features:**
- Performance comparable to fixed frequency oscillator
 - Lowest peak-to-peak jitter
 - Low supply current
- Specifications:**
- Frequency Range: 3.3V 0.8-110 MHz
2.5V 0.8-90 MHz
1.8V 0.8-75 MHz

For Reels or quantities greater than listed, call for quote.

MOUSER STOCK NO.	Price Each		
	1	5	25
815-AP3SX-X-X-X-X-Freq	15.38	5.40	5.25

AP5SX Series Programmable Oscillators, 5.0 X 3.2mm

- Features:**
- Performance comparable to fixed frequency oscillator
 - Lowest peak-to-peak jitter
 - Low supply current
- Specifications:**
- Frequency Range: 3.3V 1-110 MHz
2.5V 0.8-90 MHz
1.8V 1-75 MHz

For Reels or quantities greater than listed, call for quote.

MOUSER STOCK NO.	Price Each		
	1	5	25
815-AP5SX-X-X-X-X-Freq	15.38	4.65	4.35

AP7SX Series Programmable Oscillators, 7.0 X 5.0mm

- Features:**
- Performance comparable to fixed frequency oscillator
 - Lowest peak-to-peak jitter
 - Low supply current
- Specifications:**
- Frequency Range: 3.3V 0.8-110 MHz
2.5V 0.8-90 MHz
1.8V 0.8-75 MHz

For Reels or quantities greater than listed, call for quote.

MOUSER STOCK NO.	Price Each		
	1	5	25
815-AP7SX-X-X-X-X-Freq	15.38	5.00	4.75