

VISHAY / SPRAGUE Tantalum Capacitors

150D SOLID TANTALUM CAPACITORS - HERMETICALLY-SEALED

Features:

- Terminations: Tin/lead (SnPb), 100% Tin (RoHS compliant)
- These high performance, hermetically-sealed Tantalex® capacitors have set the standard for solid-electrolyte tantalum capacitors for more than three decades
- High capacitance, low DCL, low dissipation factor and exceptional operating stability
- Performance and reliability have been proven in commercial, industrial and military applications
- Available in four case codes and capacitors are supplied with plastic-film insulation
- Terminals are solid, tinned nickel wire leads
- The Military equivalent to the 150D is the CSR13 which is qualified to MIL-C-39003/01

Specifications:

- Operating Temperature: -55°C to +85°C
- Capacitance Tolerance: ±10% standard
- ±5% available as special
- Dissipation Factor: @120Hz, +25°C
- Life Test: 2000 hours @ 85°C



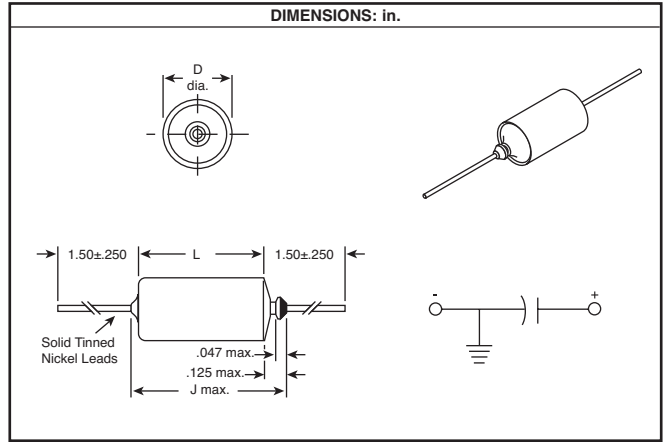
LEAD-FREE



RoHS Compliant

Case Size	With Insulating Sleeve *		J (Max.)	Lead Size	
	D	L		AWG No.	Nominal Dia.
A	.135±.016	.286±.031	.422	24AWG	.020
B	.185±.016	.474±.031	.610	24AWG	.020
R	.289±.016	.686±.031	.822	22AWG	.025
S	.351±.016	.786±.031	.922	22AWG	.025

* When a shrink-fitted insulation is used, it shall lap over the ends of the capacitor body



Tantalum Caps, Leaded Vishay

For quantities of 200 and up, call for quote.

MOUSER STOCK NO.	Vishay Part No.	Volt (DC)	Value (µF)	Case Size	Price Each			
					1	25	50	100
74-150D476X9006B2BE3	150D476X9006B2BE3	6	47	B	3.71	2.36	1.64	1.56
74-150D475X9010A2BE3	150D475X9010A2BE3	10	4.7	A	2.95	1.88	1.30	1.24
74-150D336X9010B2BE3	150D336X9010B2BE3	10	33	B	3.71	2.36	1.64	1.56
74-150D396X9010B2BE3	150D396X9010B2BE3	10	39	B	3.71	2.36	1.64	1.56
74-150D107X9010R2BE3	150D107X9010R2BE3	10	100	R	8.46	5.39	3.74	3.56
74-150D227X9010S2BE3	150D227X9010S2BE3	10	220	S	20.81	13.27	9.20	8.76
74-150D335X9015A2BE3	150D335X9015A2BE3	15	3.3	A	2.95	1.88	1.30	1.24
74-150D226X9015B2BE3	150D226X9015B2BE3	15	22	B	3.71	2.36	1.64	1.56
74-150D225X9020A2BE3	150D225X9020A2BE3	20	2.2	A	2.95	1.88	1.30	1.24
74-150D475X9020B2BE3	150D475X9020B2BE3	20	4.7	B	3.71	2.36	1.64	1.56
74-150D106X9020B2BE3	150D106X9020B2BE3	20	10	B	3.71	2.36	1.64	1.56
74-150D156X9020B2BE3	150D156X9020B2BE3	20	15	B	3.71	2.36	1.64	1.56
74-150D336X9020R2BE3	150D336X9020R2BE3	20	33	R	8.46	5.39	3.74	3.56
74-150D476X9020R2BE3	150D476X9020R2BE3	20	47	R	8.46	5.39	3.74	3.56
74-150D107X9020S2BE3	150D107X9020S2BE3	20	100	S	20.81	13.27	9.20	8.76
74-150D104X9035A2BE3	150D104X9035A2BE3	35	0.10	A	2.95	1.88	1.30	1.24
74-150D224X9035A2BE3	150D224X9035A2BE3	35	0.22	A	2.95	1.88	1.30	1.24
74-150D474X9035A2BE3	150D474X9035A2BE3	35	0.47	A	2.95	1.88	1.30	1.24
74-150D105X9035A2BE3	150D105X9035A2BE3	35	1	A	2.95	1.88	1.30	1.24

For quantities of 200 and up, call for quote.

MOUSER STOCK NO.	Vishay Part No.	Volt (DC)	Value (µF)	Case Size	Price Each			
					1	25	50	100
74-150D225X9035B2BE3	150D225X9035B2BE3	35	2.2	B	3.71	2.36	1.64	1.56
74-150D275X9035B2BE3	150D275X9035B2BE3	35	2.7	B	3.71	2.36	1.64	1.56
74-150D335X9035B2BE3	150D335X9035B2BE3	35	3.3	B	3.71	2.36	1.64	1.56
74-150D475X9035B2BE3	150D475X9035B2BE3	35	4.7	B	3.71	2.36	1.64	1.56
74-150D565X9035B2BE3	150D565X9035B2BE3	35	5.6	B	3.71	2.36	1.64	1.56
74-150D685X9035B2BE3	150D685X9035B2BE3	35	6.8	B	3.71	2.36	1.64	1.56
74-150D106X9035R2BE3	150D106X9035R2BE3	35	10	R	8.46	5.39	3.74	3.56
74-150D156X9035R2BE3	150D156X9035R2BE3	35	15	R	8.46	5.39	3.74	3.56
74-150D226X9035R2BE3	150D226X9035R2BE3	35	22	R	8.46	5.39	3.74	3.56
74-150D396X9035S2BE3	150D396X9035S2BE3	35	39	S	20.81	13.27	9.20	8.76
74-150D476X9035S2BE3	150D476X9035S2BE3	35	47	S	20.81	13.27	9.20	8.76
74-150D474X9050A2BE3	150D474X9050A2BE3	50	0.47	A	3.09	1.97	1.37	1.30
74-150D105X9050A2BE3	150D105X9050A2BE3	50	1	A	3.09	1.97	1.37	1.30
74-150D335X9050B2BE3	150D335X9050B2BE3	50	3.3	B	3.85	2.45	1.70	1.62
74-150D475X9050B2BE3	150D475X9050B2BE3	50	4.7	B	3.85	2.45	1.70	1.62
74-150D106X9050R2BE3	150D106X9050R2BE3	50	10	R	8.84	5.64	3.91	3.72
74-150D156X9050R2BE3	150D156X9050R2BE3	50	15	R	8.84	5.64	3.91	3.72
74-150D226X9050S2BE3	150D226X9050S2BE3	50	22	S	21.85	13.94	9.66	9.20
74-150D106X9075R2BE3	150D106X9075R2BE3	75	10	R	17.62	11.24	7.79	7.42
74-150D156X9075S2BE3	150D156X9075S2BE3	75	15	S	43.65	27.85	19.30	18.38

VISHAY TYPE 173D SOLID TANTALUM CAPACITORS

Type 173D molded case axial-lead TANTALEX® capacitors are designed for high performance automotive, industrial and commercial electronic equipment. Precision molded in gold colored, flame retardant, thermosetting epoxy resin, units are laser marked for improved legibility, while the tapered end of the case provides easy identification of the positive terminal.

Specifications:

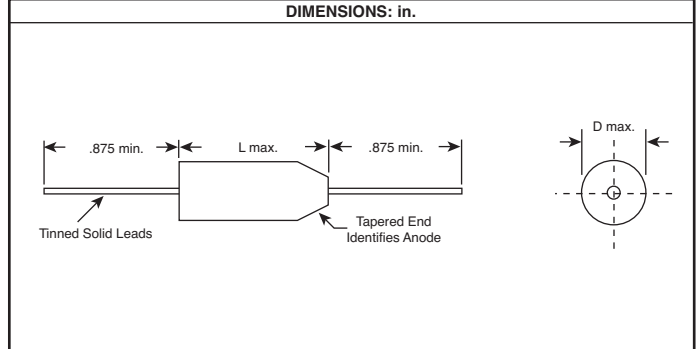
- Operating Temperature: -55°C to +85°C
- Capacitance Tolerance: ±10%
- Dissipation Factor: @ 120Hz, +25°C
- Life Test: 2000 hours @ 85°C

Case Size	D (Max.)	L (Max.)	Lead Diameter
U	.095	.260	.020
V	.110	.290	.020
W	.180	.345	.020
X	.180	.420	.020
Y	.280	.550	.025

For quantities of 200 and up, call for quote.

MOUSER STOCK NO.	Vishay Part No.	Volt (DC)	Value (µF)	Case Size	Price Each			
					1	25	50	100
74-173D6V68	173D686X9006X	6	68	X	2.00	1.75	1.50	1.25
74-173D10V10	173D106X9010V	10	10	V	.76	.67	.55	.53
74-173D10V22	173D226X9010W	10	22	W	1.52	1.33	1.14	.95
74-173D15V2.2	173D225X9015U	15	2.2	U	.72	.63	.52	.50
74-173D15V6.8	173D685X9015V	15	6.8	V	.88	.77	.64	.62
74-173D15V15	173D156X9015W	15	15	W	1.52	1.33	1.14	.95
74-173D15V22	173D226X9015X	15	22	X	1.76	1.54	1.32	1.10
74-173D15V33	173D336X9015X	15	33	X	2.00	1.75	1.50	1.25
74-173D20V1.0	173D105X9020U	20	1	U	.72	.63	.52	.50
74-173D20V4.7	173D475X9020V	20	4.7	V	.88	.77	.64	.62
74-173D20V15	173D156X9020X	20	15	X	1.76	1.54	1.32	1.10
74-173D20V22	173D226X9020X	20	22	X	2.00	1.75	1.50	1.25
74-173D20V100	173D107X9020Y	20	100	Y	9.80	8.58	7.35	6.13
74-173D25V1.0	173D105X9025U	25	1	U	.72	.63	.52	.50
74-173D25V2.2	173D225X9025V	25	2.2	V	.88	.77	.64	.62
74-173D25V3.3	173D335X9025V	25	3.3	V	.88	.77	.64	.62
74-173D25V6.8	173D685X9025W	25	6.8	W	1.52	1.33	1.14	.95
74-173D25V10	173D106X9025W	25	10	W	1.52	1.33	1.14	.95
74-173D25V12	173D126X9025X	25	12	X	2.00	1.75	1.50	1.25
74-173D25V15	173D156X9025X	25	15	X	2.00	1.75	1.50	1.25

DIMENSIONS: in.



For quantities of 200 and up, call for quote.

MOUSER STOCK NO.	Vishay Part No.	Volt (DC)	Value (µF)	Case Size	Price Each			
					1	25	50	100
74-173D25V47	173D476X9025Y	25	47	Y	6.88	6.02	5.16	4.30
74-173D35V0.1	173D104X9035U	35	0.1	U	.72	.63	.52	.50
74-173D35V0.33	173D334X9035U	35	0.33	U	.72	.63	.52	.50
74-173D35V0.47	173D474X9035U	35	0.47	U	.72	.63	.52	.50
74-173D35V1.0	173D105X9035V	35	1	V	.76	.67	.55	.53
74-173D35V1.5	173D155X9035V	35	1.5	V	.88	.77	.64	.62
74-173D35V2.2	173D225X9035W	35	2.2	W	1.52	1.33	1.14	.95
74-173D35V3.3	173D335X9035W	35	3.3	W	1.52	1.33	1.14	.95
74-173D35V4.7	173D475X9035W	35	4.7	W	1.52	1.33	1.14	.95
74-173D35V6.8	173D685X9035X	35	6.8	X	1.76	1.54	1.32	1.10
74-173D35V10	173D106X9035X	35	10	X	2.00	1.75	1.50	1.25
74-173D35V22	173D226X9035Y	35	22	Y	5.16	4.52	3.87	3.23
74-173D35V47	173D476X9035Y	35	47	Y	9.80	8.58	7.35	6.13
74-173D50V0.1	173D104X9050U	50	0.1	U	.80	.70	.58	.56
74-173D50V0.22	173D224X9050U	50	0.22	U	.80	.70	.58	.56
74-173D50V0.47	173D474X9050V	50	0.47	V	.92	.81	.67	.64
74-173D50V1.0	173D105X9050V	50	1	V	1.08	.95	.78	.76
74-173D50V2.2	173D225X9050W	50	2.2	W	1.72	1.51	1.29	1.08
74-173D50V4.7	173D475X9050X	50	4.7	X	2.40	2.10	1.80	1.50