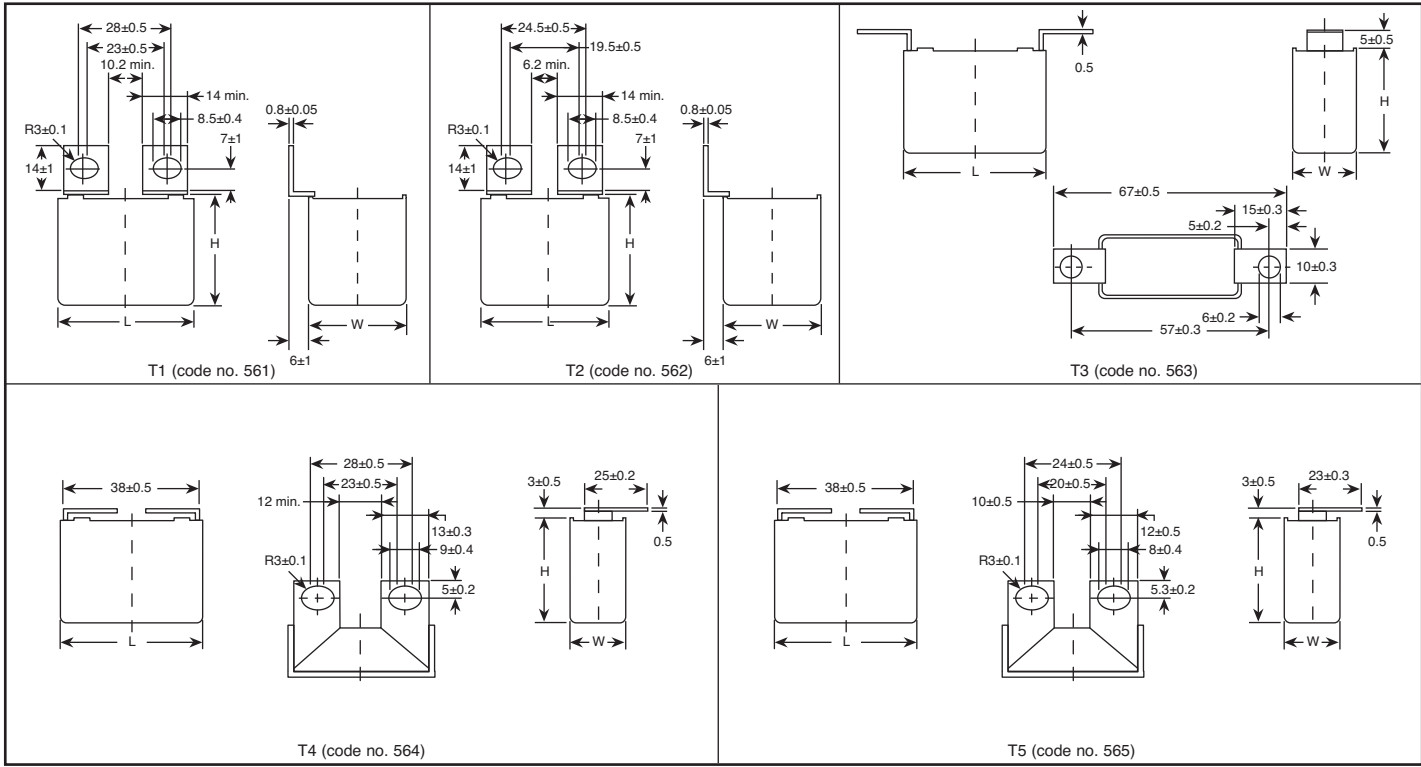


EPCOS Film Snubber Capacitors

RoHS Compliant This product is RoHS compliant.



Film Capacitors Epcos

DIMENSIONS: mm

EPCOS MKP SNUBBER CAPACITORS

Marking:

- Manufacturer's logo
- Ordering code
- Style (MKP)
- Rated Capacitance (coded)
- Cap
- Tolerance (code letter)
- Rated DC voltage
- Date of manufacture (coded)

Construction:

- Dielectric: Polypropylene (MKP) film
- Mount technology with internal series connection
- Plastic case (UL 94 V-0)
- Epoxy resin sealing (UL 94 V-0)

Specifications:

- Maximum operating temperature: 100°C
- Strap terminals, tinned copper (maximum torque 10 Nm)
- Max. Operating Temperature: +100°C
- Rated Temperature: +85°C -55°C

Pulse Handling Capability:

"dv/dt" values represents the maximum permissible voltage change per unit of time for non-sinusoidal voltages, expressed in V/μs.



RoHS Compliant

For quantities of 100 and up, call for quote.

| MOUSER STOCK NO. | Epcos Part No. | Value (μF) | VDC | Terminal | Max. Dimensions mm | | | dv/dt V/μS | VAC (rms) | ESR @ 100 KHz | Irms @ 100 KHz | Price Each | | | |
|---------------------|-----------------|------------|------|----------|--------------------|------|----|------------|-----------|---------------|----------------|------------|-------|-------|------|
| | | | | | W | H | L | | | | | 1 | 25 | 100 | 500 |
| 871-B32656S0474K563 | B32656S0474K563 | 0.47 | 1000 | T3 | 14 | 25 | 42 | 450 | 480 | 8 | 9 | 8.71 | 6.45 | 5.61 | 4.88 |
| 871-B32656S0474K564 | B32656S0474K564 | 0.47 | 1000 | T4 | 14 | 25 | 42 | 450 | 480 | 8 | 9 | 8.71 | 6.45 | 5.61 | 4.88 |
| 871-B32656S0474K565 | B32656S0474K565 | 0.47 | 1000 | T5 | 14 | 25 | 42 | 450 | 480 | 8 | 9 | 8.71 | 6.45 | 5.61 | 4.88 |
| 871-B32656S0684K563 | B32656S0684K563 | 0.68 | 1000 | T3 | 16 | 28.5 | 42 | 450 | 480 | 6 | 10 | 9.23 | 6.84 | 5.95 | 5.17 |
| 871-B32656S0684K564 | B32656S0684K564 | 0.68 | 1000 | T4 | 16 | 28.5 | 42 | 450 | 480 | 6 | 10 | 9.23 | 6.84 | 5.95 | 5.17 |
| 871-B32656S0684K565 | B32656S0684K565 | 0.68 | 1000 | T5 | 16 | 28.5 | 42 | 450 | 480 | 6 | 10 | 9.23 | 6.84 | 5.95 | 5.17 |
| 871-B32656S0105K561 | B32656S0105K561 | 1.0 | 1000 | T1 | 20 | 39.5 | 42 | 450 | 480 | 6 | 12 | 9.56 | 7.08 | 6.16 | 5.36 |
| 871-B32656S0105K562 | B32656S0105K562 | 1.0 | 1000 | T2 | 20 | 39.5 | 42 | 450 | 480 | 6 | 12 | 9.56 | 7.08 | 6.16 | 5.36 |
| 871-B32656S0105K563 | B32656S0105K563 | 1.0 | 1000 | T3 | 20 | 39.5 | 42 | 450 | 480 | 6 | 12 | 9.56 | 7.08 | 6.16 | 5.36 |
| 871-B32656S0105K564 | B32656S0105K564 | 1.0 | 1000 | T4 | 20 | 39.5 | 42 | 450 | 480 | 6 | 12 | 9.56 | 7.08 | 6.16 | 5.36 |
| 871-B32656S0105K565 | B32656S0105K565 | 1.0 | 1000 | T5 | 20 | 39.5 | 42 | 450 | 480 | 6 | 12 | 9.56 | 7.08 | 6.55 | 5.99 |
| 871-B32656S0125K561 | B32656S0125K561 | 1.2 | 1000 | T1 | 20 | 39.5 | 42 | 450 | 480 | 5 | 13 | 10.26 | 7.60 | 6.61 | 5.75 |
| 871-B32656S0125K562 | B32656S0125K562 | 1.2 | 1000 | T2 | 20 | 39.5 | 42 | 450 | 480 | 5 | 13 | 10.26 | 7.60 | 6.61 | 5.75 |
| 871-B32656S0125K563 | B32656S0125K563 | 1.2 | 1000 | T3 | 20 | 39.5 | 42 | 450 | 480 | 5 | 13 | 10.26 | 7.60 | 6.61 | 5.75 |
| 871-B32656S0125K564 | B32656S0125K564 | 1.2 | 1000 | T4 | 20 | 39.5 | 42 | 450 | 480 | 5 | 13 | 10.26 | 7.60 | 6.61 | 5.75 |
| 871-B32656S0125K565 | B32656S0125K565 | 1.2 | 1000 | T5 | 20 | 39.5 | 42 | 450 | 480 | 5 | 13 | 10.26 | 7.60 | 6.61 | 5.75 |
| 871-B32656S0155K561 | B32656S0155K561 | 1.5 | 1000 | T1 | 30 | 45 | 42 | 450 | 480 | 5 | 15 | 10.80 | 8.00 | 6.96 | 6.05 |
| 871-B32656S0155K562 | B32656S0155K562 | 1.5 | 1000 | T2 | 30 | 45 | 42 | 450 | 480 | 5 | 15 | 10.80 | 8.00 | 6.96 | 6.05 |
| 871-B32656S0155K563 | B32656S0155K563 | 1.5 | 1000 | T3 | 30 | 45 | 42 | 450 | 480 | 5 | 15 | 10.80 | 8.00 | 6.96 | 6.05 |
| 871-B32656S7224K563 | B32656S7224K563 | 0.22 | 1250 | T3 | 14 | 25 | 42 | 500 | 500 | 10 | 8 | 12.03 | 8.91 | 7.74 | 6.73 |
| 871-B32656S7224K564 | B32656S7224K564 | 0.22 | 1250 | T4 | 14 | 25 | 42 | 500 | 500 | 10 | 8 | 8.61 | 6.88 | 6.56 | 6.25 |
| 871-B32656S7224K565 | B32656S7224K565 | 0.22 | 1250 | T5 | 14 | 25 | 42 | 500 | 500 | 10 | 8 | 11.48 | 8.50 | 7.38 | 6.42 |
| 871-B32656S7684K561 | B32656S7684K561 | 0.68 | 1250 | T1 | 20 | 39.5 | 42 | 500 | 500 | 6 | 10 | 11.58 | 9.20 | 8.76 | 8.34 |
| 871-B32656S7684K562 | B32656S7684K562 | 0.68 | 1250 | T2 | 20 | 39.5 | 42 | 500 | 500 | 6 | 10 | 15.31 | 11.33 | 9.86 | 8.57 |
| 871-B32656S7684K563 | B32656S7684K563 | 0.68 | 1250 | T3 | 20 | 39.5 | 42 | 500 | 500 | 6 | 10 | 16.04 | 11.88 | 10.34 | 8.99 |
| 871-B32656S7684K564 | B32656S7684K564 | 0.68 | 1250 | T4 | 20 | 39.5 | 42 | 500 | 500 | 6 | 10 | 15.31 | 11.33 | 9.86 | 8.57 |
| 871-B32656S7684K565 | B32656S7684K565 | 0.68 | 1250 | T5 | 20 | 39.5 | 42 | 500 | 500 | 6 | 10 | 15.31 | 11.33 | 9.86 | 8.57 |
| 871-B32656S7105K561 | B32656S7105K561 | 1.0 | 1250 | T1 | 28 | 37 | 42 | 500 | 500 | 6 | 13 | 13.24 | 10.59 | 10.09 | 9.61 |
| 871-B32656S7105K562 | B32656S7105K562 | 1.0 | 1250 | T2 | 28 | 37 | 42 | 500 | 500 | 6 | 13 | 12.63 | 10.10 | 9.62 | 9.17 |
| 871-B32656S7105K563 | B32656S7105K563 | 1.0 | 1250 | T3 | 28 | 37 | 42 | 500 | 500 | 6 | 13 | 17.64 | 13.07 | 11.36 | 9.89 |
| 871-B32686S0474J561 | B32686S0474J561 | 0.47 | 1000 | T1 | 14 | 25 | 42 | 2000 | 400 | 3 | 10 | 9.56 | 7.08 | 6.16 | 5.36 |
| 871-B32686S0474J562 | B32686S0474J562 | 0.47 | 1000 | T2 | 14 | 25 | 42 | 2000 | 400 | 3 | 10 | 9.56 | 7.08 | 6.16 | 5.36 |
| 871-B32686S0474J563 | B32686S0474J563 | 0.47 | 1000 | T3 | 14 | 25 | 42 | 2000 | 400 | 3 | 10 | 9.56 | 7.08 | 6.16 | 5.36 |
| 871-B32686S7224J563 | B32686S7224J563 | 0.22 | 1250 | T3 | 14 | 25 | 42 | 2800 | 450 | 7 | 8.5 | 16.39 | 12.15 | 10.56 | 9.19 |
| 871-B32686S7224J564 | B32686S7224J564 | 0.22 | 1250 | T4 | 14 | 25 | 42 | 2800 | 450 | 7 | 8.5 | 15.64 | 11.59 | 10.07 | 8.77 |
| 871-B32686S7224J565 | B32686S7224J565 | 0.22 | 1250 | T5 | 14 | 25 | 42 | 2800 | 450 | 7 | 8.5 | 15.64 | 11.59 | 10.07 | 8.77 |