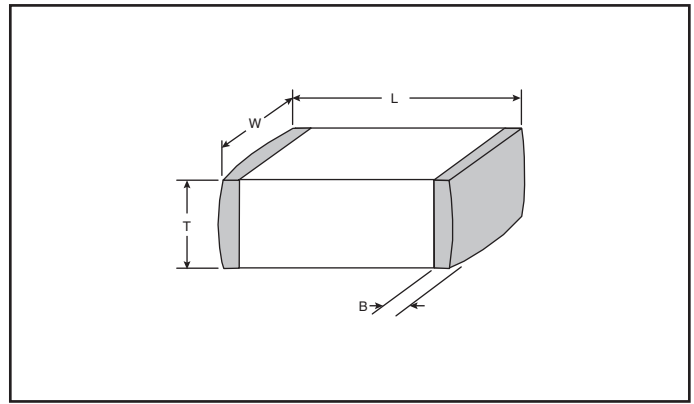


DIELECTRIC LABS High Q RF Microwave Capacitors



Products may be RoHS compliant. Check mouser.com for RoHS status.

DLI is a specialist in tight tolerance, specialty high Q and high RF power Multi-Layer Capacitors (MLC). Our family of MLCs includes five highly stable ceramic material systems, an extensive combination of standard and non-magnetic finishes, leading and custom arrays, RoHS compliant terminations, and highly reliable lead-bearing platings. DLI's MLCs are used around the world in a host of ground-based and space-based critical communications systems where high reliability and high Q are absolute requirements.



DIMENSIONS: in. (mm)				
Size	L	W	T	B
C04	0.040±.004 (1.02±0.1)	0.020±.004 (.51±0.1)	0.024 (0.61)	0.008±0.004 (0.2±0.01)
C11	0.055±0.015 (1.40±0.381-0.254)	0.055±0.15 (1.40±0.381)	0.050 (1.27)	0.005-0.020 (0.130-0.050)
C06	0.063±0.009 (1.6±0.23)	0.031±0.008 (0.80±0.20)	0.031 (0.80)	0.010+0.010-0.005 (0.254+0.254-0.127)
C08	0.080±0.012 (2.0±0.30)	0.050±0.008 (1.27±0.20)	0.051 (1.3)	0.005-0.03 (0.13-0.75)
C17	0.110+0.020-0.010 (2.79+0.51-0.25)	0.110±0.015 (2.79±0.381)	0.100 (2.54)	0.015±0.10 (0.381±0.254)

C06 CAPACITORS - 0603 CASE SIZE

- Features:**
- Stable TC
 - Operating range: -55 to +125°C
 - SMD compatibility



RoHS Compliant

C17 CAPACITORS - 1111 CASE SIZE

- Features:**
- Resonant free performance
 - High Q
 - SMD compatibility
 - Operating range: -55 to +125°C



RoHS Compliant

For quantities of 500 and up, call for quote.

MOUSER STOCK NO.	Dielectric Lab. Part Number	Value (pF)	Volt.	Tol. (+/-)	Price Each		
					1	10	100
766-C06CF0R2B9ZNX1T	C06CF0R2B-9ZNX-1T	0.2	250	0.10pF	4.72	4.13	3.25
766-C06CF0R3B9ZNX1T	C06CF0R3B-9ZNX-1T	0.3	250	0.10pF	4.72	4.13	3.25
766-C06CF0R4B9ZNX1T	C06CF0R4B-9ZNX-1T	0.4	250	0.10pF	4.72	4.13	3.25
766-C06CF0R5B9ZNX1T	C06CF0R5B-9ZNX-1T	0.5	250	0.10pF	4.72	4.13	3.25
766-C06CF0R6B9ZNX1T	C06CF0R6B-9ZNX-1T	0.6	250	0.10pF	4.72	4.13	3.25
766-C06CF0R7B9ZNX1T	C06CF0R7B-9ZNX-1T	0.7	250	0.10pF	4.72	4.13	3.25
766-C06CF0R8B9ZNX1T	C06CF0R8B-9ZNX-1T	0.8	250	0.10pF	4.72	4.13	3.25
766-C06CF0R9B9ZNX1T	C06CF0R9B-9ZNX-1T	0.9	250	0.10pF	2.76	2.42	1.90
766-C06CF1R0B9ZNX1T	C06CF1R0B-9ZNX-1T	1	250	0.10pF	2.76	2.42	1.90
766-C06CF1R2B9ZNX1T	C06CF1R2B-9ZNX-1T	1.2	250	0.10pF	2.76	2.42	1.90
766-C06CF1R5B9ZNX1T	C06CF1R5B-9ZNX-1T	1.5	250	0.10pF	2.76	2.42	1.90
766-C06CF2R0B9ZNX1T	C06CF2R0B-9ZNX-1T	2	250	0.10pF	2.76	2.42	1.90
766-C06CF2R7B9ZNX1T	C06CF2R7B-9ZNX-1T	2.7	250	0.10pF	2.76	2.42	1.90
766-C06CF3R3B9ZNX1T	C06CF3R3B-9ZNX-1T	3.3	250	0.10pF	2.76	2.42	1.90
766-C06CF3R9B9ZNX1T	C06CF3R9B-9ZNX-1T	3.9	250	0.10pF	2.92	2.56	2.01
766-C06CF4R7B9ZNX1T	C06CF4R7B-9ZNX-1T	4.7	250	0.10pF	2.92	2.56	2.01
766-C06CF5R6B9ZNX1T	C06CF5R6B-9ZNX-1T	5.6	250	0.10pF	2.92	2.56	2.01
766-C06CF6R8B9ZNX1T	C06CF6R8B-9ZNX-1T	6.8	250	0.10pF	2.92	2.56	2.01
766-C06CF9R1B9ZNX1T	C06CF9R1B-9ZNX-1T	9.1	250	0.10pF	2.92	2.56	2.01
766-C06CF120J9ZNX1T	C06CF120J-9ZNX-1T	12	250	5%	2.08	1.82	1.43
766-C06CF300J9ZNX1T	C06CF300J-9ZNX-1T	30	250	5%	2.08	1.82	1.43
766-C06CF330J9ZNX1T	C06CF330J-9ZNX-1T	33	250	5%	2.08	1.82	1.43

For quantities of 500 and up, call for quote.

MOUSER STOCK NO.	Dielectric Lab. Part Number	Value (pF)	Volt.	Tol. (+/-)	Price Each		
					1	10	100
766-C17CF0R2B7ZNX1T	C17CF0R2B-7ZNX-1T	0.2	1000	0.10pF	5.00	4.38	3.44
766-C17CF0R3B7ZNX1T	C17CF0R3B-7ZNX-1T	0.3	1000	0.10pF	5.00	4.38	3.44
766-C17CF0R5B7ZNX1T	C17CF0R5B-7ZNX-1T	0.5	1000	0.10pF	5.00	4.38	3.44
766-C17CF0R7B7ZNX1T	C17CF0R7B-7ZNX-1T	0.7	1000	0.10pF	5.00	4.38	3.44
766-C17CF1R0B7ZNX1T	C17CF1R0B-7ZNX-1T	1	1000	0.10pF	4.16	3.64	2.86
766-C17CF1R3B7ZNX1T	C17CF1R3B-7ZNX-1T	1.3	1000	0.10pF	4.16	3.64	2.86
766-C17CF1R5B7ZNX1T	C17CF1R5B-7ZNX-1T	1.5	1000	0.10pF	4.16	3.64	2.86
766-C17CF2R0B7ZNX1T	C17CF2R0B-7ZNX-1T	2	1000	0.10pF	4.36	3.82	3.00
766-C17CF2R2B7ZNX1T	C17CF2R2B-7ZNX-1T	2.2	1000	0.10pF	4.36	3.82	3.00
766-C17CF2R7B7ZNX1T	C17CF2R7B-7ZNX-1T	2.7	1000	0.10pF	4.36	3.82	3.00
766-C17CF3R3B7ZNX1T	C17CF3R3B-7ZNX-1T	3.3	1000	0.10pF	4.36	3.82	3.00
766-C17CF3R9B7ZNX1T	C17CF3R9B-7ZNX-1T	3.9	1000	0.10pF	4.36	3.82	3.00
766-C17CF4R7B7ZNX1T	C17CF4R7B-7ZNX-1T	4.7	1000	0.10pF	4.36	3.82	3.00
766-C17CF5R6B7ZNX1T	C17CF5R6B-7ZNX-1T	5.6	1000	0.10pF	4.36	3.82	3.00
766-C17CF6R8B7ZNX1T	C17CF6R8B-7ZNX-1T	6.8	1000	0.10pF	4.36	3.82	3.00
766-C17CF9R1B7ZNX1T	C17CF9R1B-7ZNX-1T	9.1	1000	0.10pF	4.36	3.82	3.00
766-C17CF110J7ZNX1T	C17CF110J-7ZNX-1T	11	1000	5%	3.40	2.98	2.34
766-C17CF120J7ZNX1T	C17CF120J-7ZNX-1T	12	1000	5%	3.40	2.98	2.34
766-C17CF270J7ZNX1T	C17CF270J-7ZNX-1T	27	1000	5%	3.72	3.26	2.56
766-C17CF300J7ZNX1T	C17CF300J-7ZNX-1T	30	1000	5%	3.72	3.26	2.56
766-C17CF330J7ZNX1T	C17CF330J-7ZNX-1T	33	1000	5%	3.72	3.26	2.56

C11 CAPACITORS - 0505 CASE SIZE

- Features:**
- Oscillators
 - RF power amplifiers and delay lines
 - SMD compatibility
 - Stable TC
 - Filters
 - Operating range: -55 to +125°C



RoHS Compliant

For quantities of 500 and up, call for quote.

MOUSER STOCK NO.	Dielectric Lab. Part Number	Value (pF)	Volt.	Tol. (+/-)	Price Each		
					1	10	100
766-C11CF0R2B9ZNX1T	C11CF0R2B-9ZNX-1T	0.2	250	0.10pF	3.44	3.01	2.37
766-C11CF0R3B9ZNX1T	C11CF0R3B-9ZNX-1T	0.3	250	0.10pF	3.44	3.01	2.37
766-C11CF0R4B9ZNX1T	C11CF0R4B-9ZNX-1T	0.4	250	0.10pF	3.44	3.01	2.37
766-C11CF0R5B9ZNX1T	C11CF0R5B-9ZNX-1T	0.5	250	0.10pF	3.44	3.01	2.37
766-C11CF0R7B9ZNX1T	C11CF0R7B-9ZNX-1T	0.7	250	0.10pF	3.44	3.01	2.37
766-C11CF0R9B9ZNX1T	C11CF0R9B-9ZNX-1T	0.9	250	0.10pF	2.24	1.96	1.54
766-C11CF1R0B9ZNX1T	C11CF1R0B-9ZNX-1T	1	250	0.10pF	2.24	1.96	1.54
766-C11CF1R2B9ZNX1T	C11CF1R2B-9ZNX-1T	1.2	250	0.10pF	2.24	1.96	1.54
766-C11CF1R5B9ZNX1T	C11CF1R5B-9ZNX-1T	1.5	250	0.10pF	2.24	1.96	1.54
766-C11CF2R0B9ZNX1T	C11CF2R0B-9ZNX-1T	2	250	0.10pF	2.24	1.96	1.54
766-C11CF2R2B9ZNX1T	C11CF2R2B-9ZNX-1T	2.2	250	0.10pF	2.24	1.96	1.54
766-C11CF2R7B9ZNX1T	C11CF2R7B-9ZNX-1T	2.7	250	0.10pF	2.24	1.96	1.54
766-C11CF3R3B9ZNX1T	C11CF3R3B-9ZNX-1T	3.3	250	0.10pF	2.24	1.96	1.54
766-C11CF3R9B9ZNX1T	C11CF3R9B-9ZNX-1T	3.9	250	0.10pF	2.36	2.07	1.62
766-C11CF4R7B9ZNX1T	C11CF4R7B-9ZNX-1T	4.7	250	0.10pF	2.36	2.07	1.62
766-C11CF5R6B9ZNX1T	C11CF5R6B-9ZNX-1T	5.6	250	0.10pF	2.36	2.07	1.62
766-C11CF6R8B9ZNX1T	C11CF6R8B-9ZNX-1T	6.8	250	0.10pF	2.36	2.07	1.62
766-C11CF8R2B9ZNX1T	C11CF8R2B-9ZNX-1T	8.2	250	0.10pF	2.36	2.07	1.62
766-C11CF9R1B9ZNX1T	C11CF9R1B-9ZNX-1T	9.1	250	0.10pF	2.36	2.07	1.62
766-C11CF100J9ZNX1T	C11CF100J-9ZNX-1T	10	250	5%	1.92	1.68	1.32
766-C11CF110J9ZNX1T	C11CF110J-9ZNX-1T	11	250	5%	1.92	1.68	1.32
766-C11CF270J9ZNX1T	C11CF270J-9ZNX-1T	27	250	5%	1.96	1.72	1.35
766-C11CF330J9ZNX1T	C11CF330J-9ZNX-1T	33	200	5%	1.96	1.72	1.35

For quantities of 500 and up, call for quote.

C04, C06, & C08 BROADBAND BLOCKS - 0402, 0603, 0805 CASE SIZES

See table above for dimensions.

- Features:**
- Resonant free DC blocking / decoupling
 - Surface mountable
 - Less than 0.25db loss @ 4GHz (typical)

For quantities of 500 and up, call for quote.

MOUSER STOCK NO.	Dielectric Lab. Part Number	Value (pF)	Volt.	Frequency Range	Price Each		
					1	10	100
766-C04BL121X5SNX0T	C04BL121X-5SN-X0T	120	50	5MHz-30GHz	2.80	2.45	1.93
766-C06BL851X5UNX0T	C06BL851X-5UN-X0T	850	50	2MHz-30GHz	2.96	2.59	2.04
766-C06BL851X5ZNX0T	C06BL851X-5ZN-X0T	850	50	2MHz-30GHz	2.96	2.59	2.04
766-C08BL242X5SNX0T	C08BL242X-5SN-X0T	2400	50	1MHz-20GHz	3.04	2.66	2.09
766-C08BL242X5ZNX0T	C08BL242X-5ZN-X0T	2400	50	1MHz-20GHz	3.04	2.66	2.09

DEVELOPMENT KITS



RoHS Compliant

For quantities greater than listed, call for quote.

MOUSER STOCK NO.	Dielectric Lab. Part Number	Description	Price Each	
			1	100
766-C04UL	C04ULENG-S	C04 Eng. Kit	266.00	218.00
766-C06CF	C06CFENG-Z	C06 Eng. Kit	378.00	309.00
766-C11CF	C11CFENG-Z	C11 Eng. Kit	445.00	363.50
766-C17CF	C17CFENG-Z	C17 Eng. Kit	555.50	454.50



Ceramic Caps, SMD

Dielectric Laboratories