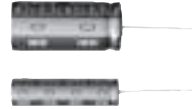


NICHICON Electric Double Layer Supercapacitors **nichicon**

Nichicon offers the Electric Double Layer Supercapacitors (EDLC) EverCAP series. The Supercapacitors EverCAP series is adapted to the RoHS directive (2002/95/EC) and has a wide temperature range from -25° to +60°C.

- Series UM features radial leads and a rated voltage range of 2.7V, for quick charge and discharge
- Series JL features a high power density in a screw terminal type, for rapid charge-discharge
- Series JD features high energy density in a screw terminal type, suitable for electric power storage
- Series JC features high energy, high density, in a screw terminal type, excellent voltage holding property



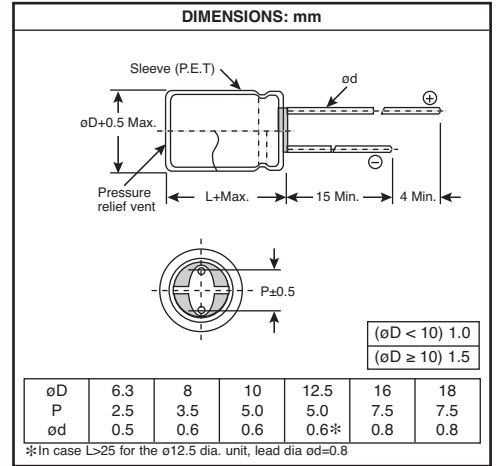
RoHS Compliant

NICHICON RADIAL LEAD 2.7V

- Features:**
- High voltage type (2.7V)
 - Suitable for quick charge and discharge
 - Wide temperature range (-25 to +70°C)
- Specifications:**
- Voltage Range: 2.7V
 - Tolerance: ±20%, 20°C

For quantities of 500 and up, call for quote.

MOUSER STOCK NO.	Nichicon Part No.	Value (F)	Case Size D x L (mm) Max.	ESR (at 1kHz)	Price Each				
					1	10	50	100	200
647-JUMT1474MED	JUMT1474MED	0.47	6.3 x 11	4	1.14	1.05	.956	.695	.596
647-JUMT1105MPD	JUMT1105MPD	1	8 x 11.5	2	1.43	1.32	1.19	.865	.745
647-JUMT1225MPD	JUMT1225MPD	2.2	8 x 20	2	2.00	1.85	1.67	1.21	1.04
647-JUMT1335MPD	JUMT1335MPD	3.3	10 x 20	1	2.85	2.64	2.39	1.72	1.49
647-JUMT1475MHD	JUMT1475MHD	4.7	12.5 x 20	0.4	4.56	4.07	3.57	3.17	2.85
647-JUMT1106MHD	JUMT1106MHD	10	12.5 x 31.5	0.1	5.70	5.28	4.77	3.45	2.99
647-JUMT1226MHD	JUMT1226MHD	22	16 x 31.5	0.1	9.70	8.97	8.13	5.87	5.09
647-JUMT1336MHD	JUMT1336MHD	33	18 x 31.5	0.1	10.48	9.88	7.33	7.03	6.73
647-JUMT1476MHD	JUMT1476MHD	47	18 x 40	0.1	12.99	12.24	9.09	8.72	8.34



Supercapacitors

Nichicon

NICHICON SNAP-IN TERMINAL TYPE

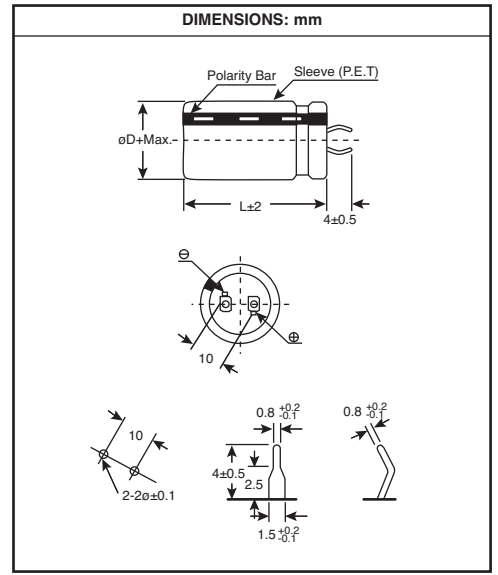
- Features:**
- Excellent in voltage holding property
 - Suitable for quick charge and discharge
 - With temperature range (-25°C to +60°C)
- Specifications:**
- Voltage Range: 2.5V
 - Tolerance: ±20%, (20°C)



RoHS Compliant

For quantities of 500 and up, call for quote.

MOUSER STOCK NO.	Nichicon Part No.	Value (F)	Case Size D x L (mm) Max.	Price Each			
				1	10	50	100
647-JJC0E156MELZ	JJC0E156MELZ	15	22 x 20	11.42	10.76	7.99	7.66
647-JJC0E186MELA	JJC0E186MELA	18	25 x 20	11.89	11.20	8.32	7.98
647-JJC0E226MELB	JJC0E226MELB	22	30 x 20	12.37	11.65	8.65	8.30
647-JJC0E276MELB	JJC0E276MELB	27	22 x 30	13.32	12.55	9.32	8.93
647-JJC0E276MELZ	JJC0E276MELZ	27	30 x 20	12.84	12.10	8.98	8.62
647-JJC0E336MELA	JJC0E336MELA	33	25 x 30	13.79	13.00	9.65	9.26
647-JJC0E336MELC	JJC0E336MELC	33	35 x 20	14.27	13.45	9.99	9.58
647-JJC0E396MELA	JJC0E396MELA	39	22 x 35	14.74	13.90	10.32	9.90
647-JJC0E396MELC	JJC0E396MELC	39	25 x 30	15.23	14.35	10.66	10.22
647-JJC0E396MELZ	JJC0E396MELZ	39	35 x 20	14.27	13.45	9.99	9.58
647-JJC0E476MELA	JJC0E476MELA	47	22 x 40	15.70	14.80	10.98	10.54
647-JJC0E476MELZ	JJC0E476MELZ	47	25 x 35	15.23	14.35	10.66	10.22
647-JJC0E566MELA	JJC0E566MELA	56	25 x 40	16.65	15.70	11.65	11.18
647-JJC0E566MELB	JJC0E566MELB	56	30 x 30	17.12	16.15	11.98	11.49
647-JJC0E686MELC	JJC0E686MELC	68	35 x 30	18.07	17.04	12.65	12.13
647-JJC0E826MELA	JJC0E826MELA	82	25 x 50	19.51	18.38	13.65	13.09
647-JJC0E826MELB	JJC0E826MELB	82	30 x 40	19.98	18.83	13.99	13.42
647-JJC0E107MELC	JJC0E107MELC	100	35 x 35	21.88	20.63	15.31	14.69
647-JJC0E127MELB	JJC0E127MELB	120	30 x 50	23.79	22.43	16.65	15.96
647-JJC0E127MELC	JJC0E127MELC	120	35 x 40	23.78	22.42	16.65	15.97
647-JJC0E157MELC	JJC0E157MELC	150	35 x 50	27.59	26.01	19.31	18.52



NICHICON SCREW TERMINAL HIGH ENERGY DENSITY 2.5V

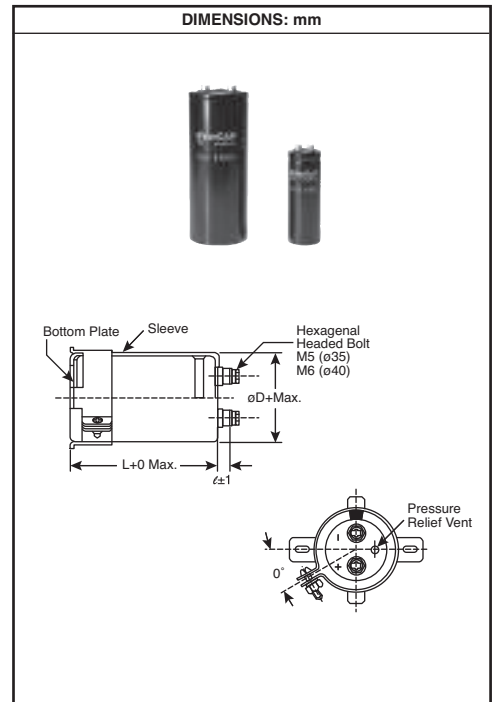
- Features:**
- High energy density
 - Suitable for electric power storage
- Specifications:**
- Voltage Range: 2.5V
 - Tolerance: ±20%, 20°C



RoHS Compliant

For quantities of 500 and up, call for quote.

MOUSER STOCK NO.	Nichicon Part No.	Value (F)	Case Size D x L (mm) Max.	DCR (mΩ)	Price Each				
					1	10	50	100	200
647-JJD0E607MSEC	JJD0E607MSEC	600	35 x 85	16	114.03	97.04	94.61	89.77	87.34
647-JJD0E807MSEC	JJD0E807MSEC	800	35 x 105	13	130.79	111.32	108.53	102.96	100.19
647-JJD0E957MSEC	JJD0E957MSEC	950	35 x 135	10	150.92	128.44	125.23	118.80	115.59
647-JJD0E108MSED	JJD0E108MSED	1000	40 x 105	10	164.34	139.86	136.36	129.37	125.88
647-JJD0E138MSED	JJD0E138MSED	1300	40 x 135	8	175.57	149.42	145.68	138.21	134.48
647-JJD0E238MSEF	JJD0E238MSEF	2300	51 x 135	5	258.74	220.20	214.70	203.69	198.18
647-JJD0E258MSEF	JJD0E258MSEF	2500	51 x 150	4	274.13	233.30	227.47	215.80	209.97
647-JJD0E408MSEG	JJD0E408MSEG	4000	63.5 x 150	2	421.97	359.12	350.14	332.19	323.21



NICHICON SCREW TERMINAL HIGH POWER DENSITY 2.5V

- Features:**
- High power density
 - Rapid charge-discharge
 - Suitable for regeneration and UPS applications
- Specifications:**
- Voltage Range: 2.5V
 - Tolerance: ±20%, 20°C



RoHS Compliant

For quantities of 500 and up, call for quote.

MOUSER STOCK NO.	Nichicon Part No.	Value (F)	Case Size D x L (mm) Max.	DCR (mΩ)	Price Each				
					1	10	50	100	200
647-JJL0E407MSEC	JJL0E407MSEC	400	35 x 85	7	137.51	117.03	114.10	108.25	105.32
647-JJL0E557MSEC	JJL0E557MSEC	550	35 x 105	5	164.34	139.86	136.36	129.37	125.88
647-JJL0E657MSEC	JJL0E657MSEC	650	35 x 135	4	187.81	159.84	155.84	147.85	143.85
647-JJL0E707MSED	JJL0E707MSED	700	40 x 105	4	190.96	162.52	158.46	150.33	146.27
647-JJL0E857MSED	JJL0E857MSED	850	40 x 135	3	224.85	191.36	186.58	177.01	172.22
647-JJL0E158MSEF	JJL0E158MSEF	1500	51 x 135	2	341.90	290.98	283.71	269.16	261.88
647-JJL0E168MSEF	JJL0E168MSEF	1600	51 x 150	2	351.14	298.84	291.37	276.43	268.96
647-JJL0E268MSEG	JJL0E268MSEG	2600	63.5 x 150	2	582.14	495.44	483.05	458.28	445.90