

MAXWELL Ultracapacitors



This product is RoHS compliant.



MODULES

15 Volt Power Module

The power-type ultracapacitor product line gives industrial customers a much wider range of choices to meet their energy storage and power delivery requirements. The module-packs are specifically engineered to provide cost-effective solutions for UPS, telecommunications, lighter duty industrial electronics applications as well as consumer products. In addition to meeting or exceeding demanding industrial application requirements for both watt-hours of energy storage and watts of power delivery per kilogram, all of these products will perform reliably for more than five hundred-thousand discharge-recharge cycles. The proprietary architecture and material science on which BOOSTCAP® products are based enable continued leadership in controlling costs, flexibility in product offerings and allow application specific performance tailoring.

Features:

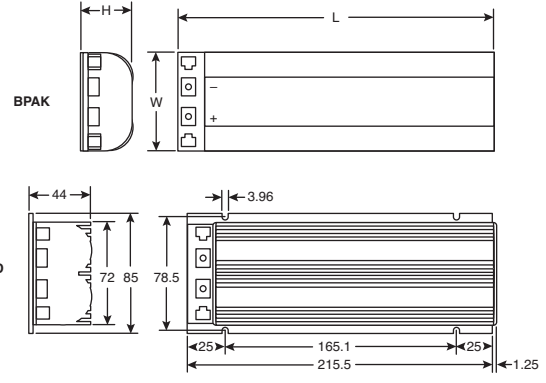
- 15V working voltage
- Individually balanced cells
- Rugged, fully enclosed system
- Screw mountable
- Module-to-module balanced cable induced
- UL Recognized

Applications:

- Automotive subsystems
- Heavy duty vehicle subsystems
- Rail system power
- Windmill pitch control systems
- Wireless transmissions



RoHS Compliant



MOUSER STOCK NO.		Capacitance (F)	ESR, DC (mΩ)	Ic (mA)	Vol (l)	Mass (g)	Dimensions: mm			Price Each		
Mfr.	Mfr. Part No.						L	W	H	1	5	10
723	—BPAK0052P015B01	52	14.5	1.00	0.566	500	216	69	38	209.00	192.28	176.89
723	—BPAK0052P015B02	52	14.5	50.0	0.566	500	216	69	38	209.00	192.28	176.89
723	—BMOD0052P015B01	52	14.5	1.00	0.815	680	218	85	44	205.77	195.48	--
723	—BMOD0052P015B02	52	14.5	50.0	0.815	680	218	85	44	205.77	195.48	--
723	—BPAK0058E015B01	58	19.0	1.00	0.566	566	216	69	38	158.84	150.90	--
723	—BPAK0058E015B02	58	19.0	50.0	0.566	566	216	69	38	158.84	150.90	--
723	—BMOD0058E015B01	58	19.0	1.00	0.815	680	218	85	44	171.47	162.90	--
723	—BMOD0058E015B02	58	19.0	50.0	0.815	680	218	85	44	171.47	162.90	--

16/48 Volt Power Module

The Power-type ultracapacitor product line gives customers in the automotive and transportation sector a much wider range of choices to meet their energy storage and power delivery requirements. The modules are specifically engineered for hybrid vehicle drive trains, automotive subsystems and other heavy duty applications that require the lowest equivalent series resistance (ESR) and highest efficiency available. In addition to meeting or exceeding demanding automotive and transportation application requirements for both watt-hours of energy storage and watts of power delivery per kilogram, all of these products will perform reliably for more than one million discharge-recharge cycles. The proprietary architecture and material science on which BOOSTCAP® products are based enable continued leadership in controlling costs, flexibility in product offerings and allow application specific performance tailoring. The cells used in the modules operate at 2.7 volts, enabling them to store more energy and deliver more power per unit volume than any other commercially available ultracapacitor products.

Features:

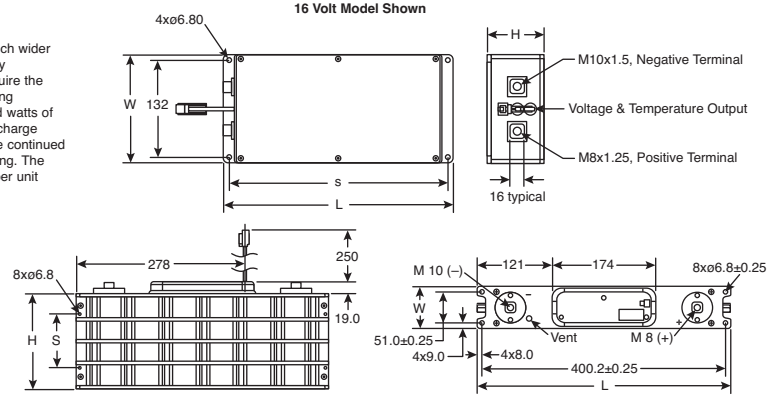
- 16.2V/48.6V Operating Voltage
- Ultra Low internal resistance
- Over 1M duty cycles
- Individually balanced cells
- Mountable option included
- Voltage and temperature sensor output included
- Compact, rugged, fully enclosed and splash proof design

Applications:

- Industrial
- UPS
- Power Quality
- Telecommunication
- Renewable energy



RoHS Compliant



16 Volt

MOUSER STOCK NO.		Capacitance (F)	ESR, DC (mΩ)	Emax (Wh / kg)	Pmax (W / kg)	Ic (mA)	Maximum Operating Voltage	Dimensions: mm				Price Each	
Mfr.	Mfr. Part No.							L (±0.25mm)	W (±0.25mm)	H (±0.25mm)	s (±0.25mm)	1	5
723	—BMOD0110P016	110	5.0	1.49	6,000	1.5	750 V DC	260.1	154.9	79.3	240.0	407.93	387.53
723	—BMOD0250P016	250	4.1	2.05	4,400	3	750 V DC	416.2	67.2	103.2	53.7	890.00	845.50
723	—BMOD0500P016B01	500	2.0	3.17	6,700	5.2	750 V DC	416.2	67.2	156.7	89.3	1110.00	1054.50
723	—BMOD0500P016B02	500	2.0	3.17	6,700	5.2	750 V DC	416.2	67.2	156.7	89.3	1110.00	1054.50

48 Volt

MOUSER STOCK NO.		Capacitance (F)	ESR, DC (mΩ)	Emax (Wh / kg)	Pmax (W / kg)	Ic (mA)	Dimensions: mm				Price Each	
Mfr.	Mfr. Part No.						L (±0.25mm)	W (±0.25mm)	H (±0.25mm)	s (±0.5mm)	1	5
723	—BMOD0083P048	80	12.3	2.48	5,400	3.0	416.2	190.2	103.2	53.7	2000.00	1900.00
723	—BMOD0110P048	110	93.5	2.91	6,200	4.2	416.2	190.2	120.2	70.7	2450.00	2327.50
723	—BMOD0165P048	165	7.1	3.81	7,900	5.2	416.2	190.2	156.7	89.3	2600.00	2470.00

ACCESSORIES

BOOSTCAP® Integration Kit

Features:

- Simple design and assembly
- Maximize system lifetime by protecting individual cell against over voltage during rated system use
- Compatible with BCAP3000, 2000, 1500, 1200, and 650

Applications:

- Fast prototyping
- Application specific modules



RoHS Compliant

MOUSER STOCK NO.		Operating Voltage Range (indiv. Cell)	Normal Balance Current	Balance Voltage Accuracy	Leakage Current (Vs=5V and I=0)	Temperature Range		Price Each	
Mfr.	Mfr. Part No.					Operating	Storage	1	5
723	—BKIT-MCINT	+2.72 V to +2.86 V DC	0 to +300mA max	±0.100V DC	25°C @ ±50µA max 50°C @ ±100µA max	-40°C to 65°C	-40°C to 85°C	94.00	89.30

