

UNITED CHEMI-CON Aluminum Electrolytic Capacitors



KMH 105°C SNAP MOUNT HIGH CAPACITANCE SERIES

RoHS Compliant This product is RoHS compliant.

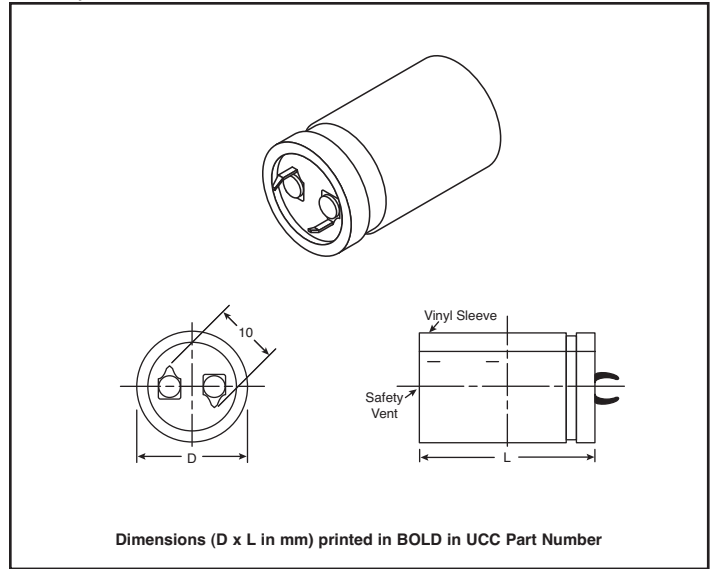
The KMH series are the standard 105°C, large capacitance, snap-in capacitors. The very high CV values and ripple current capabilities make these capacitors ideal for use in power supply filter circuits. The standard KMH capacitors are non-solvent proof and are not recommended when halogenated cleaning solvents are used.

Specifications:

- Operating temperature range:
 - 40°C to +105°C for 6.3 to 100VDC,
 - 25°C to +105°C for 160 to 450VDC
- Rated lifetime: 2,000 hours @ +105°C

For quantities 1000 and up, call for quote.

MOUSER STOCK NO.	United Chemi-Con Part Number	Value (µF)	Max. ESR @ +20°C, 120Hz	Price Each			
				1	50	100	500
16 Volt							
661-EKMH160VNN223MQ	EKMH160VNN223MQ45T	22000	0.03	3.16	2.62	2.40	2.07
661-EKMH160VNN223MR	EKMH160VNN223MR35T	22000	0.03	3.63	3.00	2.75	2.38
25 Volt							
661-EKMH250VNN223MR	EKMH250VNN223MR45T	22000	0.023	4.52	3.74	3.43	2.96
661-EKMH250VNN273MA	EKMH250VNN273MA45T	27000	0.018	5.48	4.54	4.16	3.59
661-EKMH250VNN333MA	EKMH250VNN333MA50T	33000	0.015	5.60	4.63	4.25	3.67
35 Volt							
661-EKMH350VNN682MQ	EKMH350VNN682MQ35T	6800	0.061	2.77	2.29	2.10	1.82
661-EKMH350VNN103MR	EKMH350VNN103MR35T	10000	0.03	3.77	3.12	2.86	2.47
661-EKMH350VNN123MQ	EKMH350VNN123MQ50T	12000	0.035	3.48	2.88	2.64	2.28
661-EKMH350VNN333MA	EKMH350VNN333MA63T	33000	0.012	7.16	5.93	5.43	4.69
50 Volt							
661-EKMH500VNN472MR	EKMH500VNN472MR30T	4700	0.071	3.42	2.83	2.60	2.24
661-EKMH500VNN682MR	EKMH500VNN682MR40T	6800	0.049	3.71	3.07	2.82	2.43
661-EKMH500VNN822MA	EKMH500VNN822MA35T	8200	0.04	4.58	3.79	3.48	3.00
63 Volt							
661-EKMH630VNN272MR	EKMH630VNN272MR25T	2700	0.092	2.96	2.45	2.24	1.94
661-EKMH630VNN472MR	EKMH630VNN472MR50T	4700	0.053	3.36	2.78	2.55	2.20
661-EKMH630VNN472MR	EKMH630VNN472MR40T	4700	0.053	3.71	3.07	2.82	2.43
661-EKMH630VNN562MR	EKMH630VNN562MR45T	5600	0.044	4.06	3.36	3.08	2.66
661-EKMH630VNN682MR	EKMH630VNN682MR50T	6800	0.037	4.26	3.53	3.23	2.79
661-EKMH630VNN103MA	EKMH630VNN103MA50T	10000	0.025	5.80	4.80	4.40	3.80
80 Volt							
661-EKMH800VNN392MA	EKMH800VNN392MA35T	3900	0.064	4.58	3.79	3.48	3.00
661-EKMH800VNN472MR	EKMH800VNN472MR50T	4700	0.053	4.26	3.53	3.23	2.79
100 Volt							
661-EKMH101VNN222MR	EKMH101VNN222MR40T	2200	0.113	3.83	3.17	2.90	2.51
661-EKMH101VNN392MA	EKMH101VNN392MA45T	3900	0.064	5.54	4.58	4.20	3.63
200 Volt							
661-EKMH201VNN471MQ	EKMH201VNN471MQ30T	470	0.353	3.02	2.50	2.29	1.98
661-EKMH201VNN681MA	EKMH201VNN681MA25T	680	0.366	4.12	3.41	3.12	2.70
661-EKMH201VNN821MQ	EKMH201VNN821MQ50T	820	0.202	4.14	3.69	3.31	3.13
661-EKMH201VNN102MR	EKMH201VNN102MR45T	1000	0.166	4.55	3.77	3.45	2.98
661-EKMH201VNN102MA	EKMH201VNN102MA35T	1000	0.249	4.84	4.01	3.67	3.17
661-EKMH201VNN122MR	EKMH201VNN122MR50T	1200	0.138	5.05	4.18	3.83	3.31
661-EKMH201VNN122MA	EKMH201VNN122MA40T	1200	0.207	5.37	4.44	4.07	3.52
661-EKMH201VNN182MA	EKMH201VNN182MA50T	1800	0.138	6.87	5.69	5.21	4.50
250 Volt							
661-EKMH251VNN221MQ	EKMH251VNN221MQ25T	220	0.753	2.77	2.29	2.10	1.81
661-EKMH251VNN331MQ	EKMH251VNN331MQ30T	330	0.502	3.22	2.66	2.44	2.11
661-EKMH251VNN471MQ	EKMH251VNN471MQ40T	470	0.353	3.71	3.07	2.82	2.43
661-EKMH251VNN471MR	EKMH251VNN471MR30T	470	0.353	3.86	3.19	2.93	2.53
661-EKMH251VNN561MR	EKMH251VNN561MR35T	560	0.296	4.61	3.82	3.50	3.02
661-EKMH251VNN561MA	EKMH251VNN561MA30T	560	0.444	4.76	3.94	3.61	3.12
661-EKMH251VNN681MR	EKMH251VNN681MR40T	680	0.244	4.81	3.98	3.65	3.15
661-EKMH251VNN821MA	EKMH251VNN821MA35T	820	0.303	5.60	4.63	4.25	3.67
661-EKMH251VNN102MA	EKMH251VNN102MA40T	1000	0.249	5.82	5.18	4.66	4.40
400 Volt							
661-EKMH401VNN820MQ	EKMH401VNN820MQ25T	82	3.032	2.68	2.22	2.03	1.75
661-EKMH401VNN121MQ	EKMH401VNN121MQ30T	120	2.072	3.05	2.52	2.31	2.00
661-EKMH401VNN181MR	EKMH401VNN181MR35T	180	1.381	3.48	2.88	2.64	2.28
661-EKMH401VNN181MR	EKMH401VNN181MR30T	180	1.381	3.95	3.51	3.16	2.98
661-EKMH401VNN221MQ	EKMH401VNN221MQ45T	220	1.13	4.18	3.46	3.17	2.74
661-EKMH401VNN221MR	EKMH401VNN221MR35T	220	1.13	4.15	3.43	3.15	2.72
661-EKMH401VNN331MR	EKMH401VNN331MR45T	330	0.753	5.25	4.34	3.98	3.44
661-EKMH401VNN331MA	EKMH401VNN331MA35T	330	0.753	5.77	4.78	4.38	3.78
661-EKMH401VNN391MR	EKMH401VNN391MR40T	390	0.638	6.44	5.33	4.88	4.22
661-EKMH401VNN471MA	EKMH401VNN471MA45T	470	0.529	7.66	6.34	5.81	5.02
661-EKMH401VNN102MA	EKMH401VNN102MA80T	1000	0.249	13.14	10.87	9.97	8.61
450 Volt							
661-EKMH451VNN181MR	EKMH451VNN181MR35T	180	1.381	4.38	3.62	3.32	2.87
661-EKMH451VNN221MQ	EKMH451VNN221MQ50T	220	1.13	4.67	3.86	3.54	3.06
661-EKMH451VNN221MR	EKMH451VNN221MR40T	220	1.13	8.38	7.69	6.98	5.59
661-EKMH451VNN221MA	EKMH451VNN221MA30T	220	1.13	5.22	4.32	3.96	3.42
661-EKMH451VNN331MR	EKMH451VNN331MR50T	330	0.753	6.29	5.21	4.77	4.12
661-EKMH451VNN331MA	EKMH451VNN331MA40T	330	0.753	6.53	5.40	4.95	4.28



Aluminum Caps, Can
United Chemi-Con



SMH 85°C SNAP MOUNT HIGH CAPACITANCE SERIES

The SMH series are the standard 85°C, large capacitance, snap-in capacitors. The very high CV values and ripple current capabilities make these capacitors ideal for use in power supply filter circuits. The standard SMH capacitors are non-solvent proof and are not recommended when halogenated cleaning solvents are used.

Specifications:

- Operating Temperature range:
 - 40°C to +85°C for 6.3 to 100VDC,
 - 25°C to +85°C for 160 to 450VDC
- Rated lifetime: 2,000 hours @ +85°C

For quantities 1000 and up, call for quote.

MOUSER STOCK NO.	United Chemi-Con Part Number	Value (µF)	Max. ESR @ +20°C, 120Hz	Price Each			
				1	50	100	500
16 Volt							
661-ESMH160VNN123MQ	ESMH160VNN123MQ25T	12000	0.055	2.47	2.04	1.87	1.62
25 Volt							
661-ESMH250VNN153MQ	ESMH250VNN153MQ40T	15000	0.033	3.10	2.57	2.35	2.03
661-ESMH250VNN223MR	ESMH250VNN223MR45T	22000	0.023	5.26	4.67	4.21	3.98
35 Volt							
661-ESMH350VNN472MQ	ESMH350VNN472MQ25T	4700	0.088	2.83	2.59	2.35	1.88
661-ESMH350VNN153MA	ESMH350VNN153MA35T	15000	0.028	4.55	3.77	3.45	2.98
50 Volt							
661-ESMH500VNN332MQ	ESMH500VNN332MQ25T	3300	0.1	2.58	2.14	1.96	1.69
661-ESMH500VNN822MR	ESMH500VNN822MR40T	8200	0.04	3.97	3.29	3.01	2.60
661-ESMH500VNN183MA	ESMH500VNN183MA50T	18000	0.018	6.38	5.23	4.84	4.18
63 Volt							
661-ESMH630VNN682MR	ESMH630VNN682MR40T	6800	0.037	4.15	3.43	3.15	2.72
661-ESMH630VNN123MA	ESMH630VNN123MA45T	12000	0.021	6.32	5.23	4.80	4.14
80 Volt							
661-ESMH800VNN332MQ	ESMH800VNN332MQ40T	3300	0.075	3.13	2.59	2.38	2.05
661-ESMH800VNN472MA	ESMH800VNN472MA30T	4700	0.053	4.47	3.70	3.39	2.93
100 Volt							
661-ESMH101VNN562MA	ESMH101VNN562MA45T	5600	0.044	6.09	5.04	4.62	3.99
200 Volt							
661-ESMH201VNN102MR	ESMH201VNN102MR40T	1000	0.166	4.32	3.59	3.28	2.83
661-ESMH201VNN102MA	ESMH201VNN102MA30T	1000	0.249	4.61	3.82	3.50	3.02
661-ESMH201VNN152MA	ESMH201VNN152MA40T	1500	0.166	5.77	4.78	4.38	3.78
661-ESMH201VNN182MA	ESMH201VNN182MA45T	1800	0.138	6.50	5.38	4.93	4.26
661-ESMH201VNN222MA	ESMH201VNN222MA50T	2200	0.113	7.34	6.07	5.57	4.81
250 Volt							
661-ESMH251VNN561MQ	ESMH251VNN561MQ40T	560	0.296	3.83	3.17	2.90	2.51
661-ESMH251VNN102MA	ESMH251VNN102MA40T	1000	0.249	5.97	4.94	4.53	3.91
400 Volt							
661-ESMH401VNN471MA	ESMH401VNN471MA40T	470	0.529	6.24	5.16	4.73	4.09
661-ESMH401VNN561MA	ESMH401VNN561MA45T	560	0.444	7.13	5.90	5.41	4.67
661-ESMH401VNN561MR	ESMH401VNN561MR50T	560	0.444	9.25	8.48	7.72	6.17
661-ESMH401VNN681MA	ESMH401VNN681MA50T	680	0.366	8.15	6.74	6.18	5.34
450 Volt							
661-ESMH451VNN181MA	ESMH451VNN181MA25T	180	1.381	4.47	3.70	3.39	2.93
661-ESMH451VNN271MR	ESMH451VNN271MR40T	270	0.921	5.05	4.18	3.83	3.31
661-ESMH451VNN391MA	ESMH451VNN391MA45T	390	0.638	6.98	6.14	5.82	4.66
661-ESMH451VNN471MA	ESMH451VNN471MA50T	470	0.529	7.57	6.26	5.74	4.96

