

CORNELL DUBILIER Aluminum Electrolytic Capacitors



CDE CORNELL DUBILIER MLP/MLS FLATPACK® ULTRA LONG LIFE CAPACITORS

The MLP/MLS Flatpack® series unique flat design increases available board space by 27% compared to standard round capacitors. The broad, flat sides make heat-sinking simple and effective, and the box shape encourages efficient stacking. High-purity material assure extremely long life, and for values rated at 250V and less exhibit superior low -temperature impedance down to -55°C.

Features:

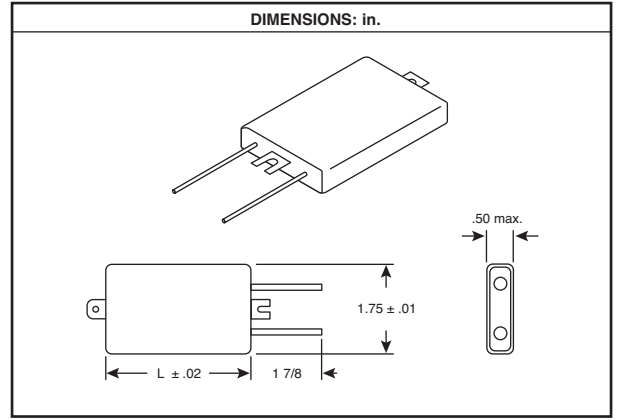
- Low profile replacement for snap-in capacitors
- Can readily heat sink to double the ripple capability
- Near-hermetic welded seal assures 50-year life
- MLP = 85°C, Aluminum Case
- MLS = 125°C, S.S. Case

Type MLP/MLS:

- Avionics
- Telecom
- Power supply
- Circuit cards
- High power inverter/converter

Specifications:

- Height: < 1/2"
- Capacitance: 220-20,000µF
- Voltage: 25-450VDC
- Operates: -55°C to 85°C for 250V, -40°C to 85°C for >250V
- 2,000-Hour life test: 85°C
- Type MLP delivers 25 joules of energy storage in a 1/2" height with 50 years life @ +45°C



For quantities of 50 and up, call for quote.

MOUSER STOCK NO.	CDE Part Number	Volt (DC)	Value (µF)	Max. Temp. °C	Case Size D x L (IN)	Max. ESR 25°C (mΩ)		Ripple (A) at 85°		Price Each		
						120 Hz	20 kHz	120 Hz	20 kHz	1	10	25
5987-50V442	MLP442M050EK1A	50	4400	85	1.75 X 1.5	97	70	3.7	4.4	45.15	38.41	37.04
5987-50V113	MLP113M050EB1A	50	11000	85	1.75 X 3.0	36	27	8.3	9.6	56.49	48.06	46.34
5987-80V332	MLP332M080EB1A	80	3300	85	1.75 X 3.0	44	31	7.5	9	72.84	62.97	58.97
598-MLP272M100EB0A	MLP272M100EB0A	100	2700	85	1.75 X 3.0	46	33	7.4	8.7	61.14	55.03	51.97
5987-250V821	MLP821M250EB1A	250	820	85	1.75 X 3.0	172	103	3.8	4.9	56.49	48.06	46.34
598-MLP331M420EB0A	MLP331M420EB0A	420	330	85	1.75 X 3.0	530	390	2.1	2.5	68.46	61.61	58.19
5987-450V281	MLP281M450EB0A	450	280	85	1.75 X 3.0	585	480	2	2.3	81.57	70.51	66.03
598-MLS442M040EK0A	MLS442M040EK0A	40	4400	125	1.75 X 1.5	97	70	10.3	12.1	101.62	91.46	86.38
598-MLS152M060EK0A	MLS152M060EK0A	60	1500	125	1.75 X 1.5	106	77	9.8	11.5	128.50	115.65	109.23
598-MLS112M075EK0A	MLS112M075EK0A	75	1100	125	1.75 X 1.5	112	78	9.6	11.5	101.65	91.45	86.39
598-MLS331M200EK1A	MLS331M200EK1A	200	330	125	1.75 X 1.5	426	258	4.9	6.2	119.96	113.96	104.95
5987-MLS821M200EB1A	MLS821M200EB1A	200	820	125	1.75 X 3.0	172	103	7.7	10	147.12	127.17	119.10
598-MLS561M250EB1A	MLS561M250EB1A	250	560	125	1.75 X 3.0	240	157	6.5	8.1	127.16	114.44	108.09

Aluminum Caps, Can

Cornell Dubilier

CDE CORNELL DUBILIER DCMC 85°C HIGH CAPACITANCE SCREW TERMINAL LARGE CAN

Features:

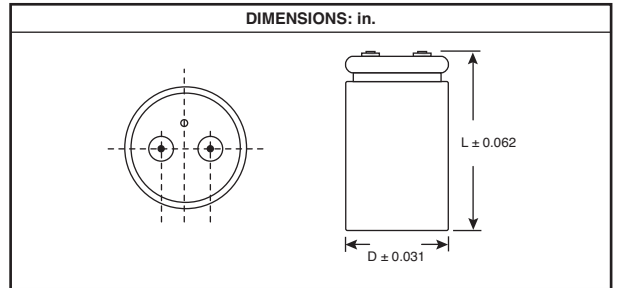
- Low ESR
- High capacitance value
- Handle large ripple current
- Thermal-Pak extended cathode construction assures cool operation with heat flow from the capacitor element to the can

Applications:

- Power supply filters
- UPS systems
- Computer hold-up power
- Energy storage applications

Specifications:

- Voltage range: 6.3VDC to 450VDC
- Temperature range: -40°C to 85°C
- Tolerance: <200VDC = -10 to +75%
≥200VDC = -10 to +50%
- Capacitance Range: 110µF to 2.7F
- Life: 2000 hours @ 85°C



For quantities of 50 and up, call for quote.

MOUSER STOCK NO.	CDE Part Number	Value (µF)	Voltage (V)	Case D x L (In.)	Max. ESR (mΩ) 120Hz/25°C	Max. Ripple (A) 120Hz/85°C	Price Each			
							1	10	25	100
598-DCMC16V213	DCMC213U016AK2B	21000	16	1.375 x 1.625	46.9	4.1	14.99	12.62	11.84	11.05
598-DCMC16V353	DCMC353U016AA2B	35000	16	1.375 x 2.125	26.5	6.1	17.01	14.32	13.43	12.53
598-DCMC16V623	DCMC623U016AB2B	62000	16	1.375 x 3.125	15.5	9.7	21.39	18.02	16.89	15.76
598-DCMC16V903	DCMC903U016AC2B	90000	16	1.375 x 4.125	11.0	13.5	25.84	21.76	20.40	19.04
598-DCMC16V204	DCMC204U016BC2B	200000	16	2.000 x 4.125	7.4	17.4	46.23	38.93	36.50	34.06
598-DCMC25V123	DCMC123U025AK2B	12000	25	1.375 x 1.625	37.1	4.7	14.73	12.40	11.63	10.85
598-DCMC25V333	DCMC333U025AB2B	33000	25	1.375 x 3.125	19.3	8.2	20.01	16.85	15.80	14.74
598-DCMC25V473	DCMC473U025BA2B	47000	25	2.000 x 2.125	21.8	9.3	26.68	22.46	21.06	19.66
598-DCMC25V523	DCMC523U025AC2B	52000	25	1.375 x 4.125	17.6	10.7	24.83	20.91	19.61	18.30
598-DCMC25V124	DCMC124U025BC2B	120000	25	2.000 x 4.125	8.3	16.6	45.07	37.95	35.58	33.21
598-DCMC50V103	DCMC103U050AA2B	10000	50	1.375 x 2.125	30.9	5.6	17.37	14.62	13.71	12.80
598-DCMC50V123	DCMC123U050AH2B	12000	50	1.375 x 2.625	25.9	6.7	18.70	15.74	14.76	13.78
598-DCMC50V163	DCMC163U050AB2B	16000	50	1.375 x 3.125	23.6	7.4	21.05	17.73	16.62	15.51
598-DCMC50V263	DCMC263U050AC2B	26000	50	1.375 x 4.125	18.7	10.4	26.96	22.70	21.29	19.87
598-DCMC50V383	DCMC383U050BB2B	38000	50	2.000 x 3.125	16.3	11.9	37.43	31.52	29.55	27.58
598-DCMC63V702	DCMC702U063AA2B	7000	63	1.375 x 2.125	39.0	5.0	17.27	14.54	13.64	12.73
598-DCMC75V223	DCMC223U075AF2B	22000	75	1.375 x 5.625	21.4	10.8	31.18	26.26	24.62	22.97
598-DCMC100V392	DCMC392U100AH2B	3900	100	1.375 x 2.625	51.0	4.7	19.34	16.29	15.27	14.25
598-DCMC100V103	DCMC103U100AD2B	10000	100	1.375 x 4.625	31.1	7.5	31.12	26.21	24.57	22.93
598-DCMC100V163	DCMC163U100EC2B	16000	100	1.750 x 4.125	28.8	8.0	43.97	37.02	34.71	32.40
598-DCMC100V183	DCMC183U100ED2B	18000	100	1.750 x 4.625	21.2	9.8	47.84	40.29	37.77	35.25
598-DCMC100V203	DCMC203U100BC2B	20000	100	2.000 x 4.125	19.9	10.7	54.15	45.60	42.75	39.90
598-DCMC200V352	DCMC352T200BC2B	3500	200	2.000 x 4.125	0.03	10.8	36.35	30.61	28.70	26.78
598-DCMC200V912	DCMC912T200BE2A	9100	200	2.000 x 5.125	21.7	10.5	69.62	58.62	54.96	51.30
598-DCMC250V152	DCMC152T250AB2B	1500	250	1.375 x 3.125	88.0	4.1	24.17	20.35	19.08	17.81
598-DCMC250V472	DCMC472T250BC2B	4700	250	2.000 x 4.125	31.5	8.9	54.07	45.54	42.69	39.84
598-DCMC250V682	DCMC682T250BF2B	6800	250	2.000 x 5.625	21.2	11.9	71.73	60.40	56.63	52.85
598-DCMC450V271	DCMC271T450AA2B	270	450	1.375 x 2.125	437.7	1.5	19.04	16.03	15.03	14.03
598-DCMC450V471	DCMC471T450AB2B	470	450	1.375 x 3.125	253.2	2.4	24.76	20.85	19.55	18.24
598-DCMC450V102	DCMC102T450BB2B	1000	450	2.000 x 3.125	137.0	4.3	43.05	36.26	33.99	31.72

