

# CDE Snap-In Aluminum Electrolytic Capacitors



CDE CORNELL DUBILIER

## 381LQ, 105°C SERIES - COMPACT HIGH RIPPLE SNAPMOUNT

DIMENSIONS: mm

### Specifications:

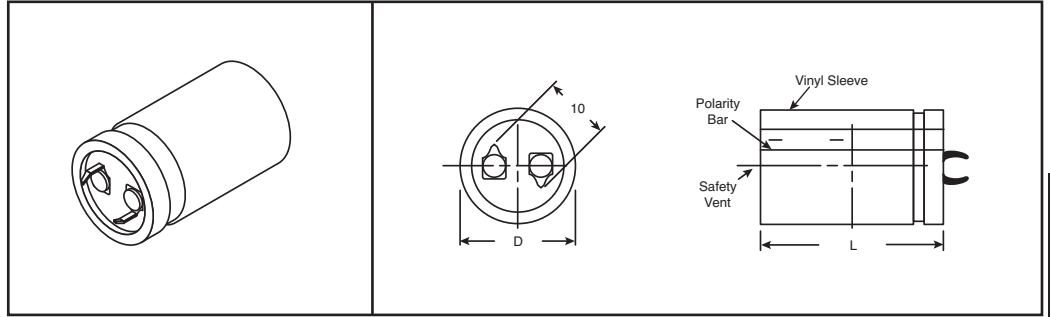
- Voltage rating: 200VDC to 450VDC
- Operating temperature: <315V: -40°C to +105°C; >350V: -25°C to +105°C
- Capacitance tolerance: 20%
- Life test: 2000 hours @ 105°C at full load
- Leakage current: ≤ 3 √ CV μA at 5 min.
- EIA Ripple life: 8000 hours @ 85°C

### Features:

- More capacitance per case size
- Average of 23% smaller and more than 5mm shorter than Type 381LX
- The 381LQ enables you to shrink equipment size and retain the original performance



RoHS Compliant



For quantities of 50 and up, call for quote.

MOUSER STOCK NO.	CDE Type 381LQ	Value (μF)	Ripple(A) @ 105°C/20Hz	Case D x L (mm)	Price Each		
					1	10	25
<b>200 WVDC</b>							
5985-381-200V470	471M200H022	470	2.03	22X30	3.14	2.66	2.38
5985-381-200V680	681M200J022	680	2.45	25X30	3.91	3.32	2.97
5985-381-200V820	821M200J032	820	2.86	25X35	4.57	3.88	3.47
5985-381-200V1000	102M200K022	1000	3.22	30X30	5.42	4.61	4.11
5985-381-200V1200	122M200A022	1200	3.71	35X30	6.93	5.90	5.27
5985-381-200V1500	152M200K042	1500	3.92	35X40	7.37	6.27	5.60
5985-381-200V1800	182M200A042	1800	4.31	35X40	10.04	8.54	7.63
5985-381-200V2200	222M200K052	2200	4.87	30X50	10.76	9.14	8.17
<b>250 WVDC</b>							
5985-381-250V330	331M250H022	330	1.68	22X30	3.30	2.81	2.51
5985-381-250V390	391M250H032	390	1.82	22X35	3.74	3.18	2.84
5985-381-250V470	471M250J022	470	1.96	25X30	4.40	3.74	3.34
5985-381-250V560	561M250J032	560	2.10	25X35	4.73	4.03	3.60
5985-381-250V680	681M250K022	680	2.38	30X30	5.26	4.47	3.99
5985-381-250V820	821M250K032	820	2.80	30X35	6.08	5.17	4.62
5985-381-250V1000	102M250K042	1000	3.08	30X40	7.04	5.98	5.35
5985-381-250V1800	182M250A052	1800	3.78	35X50	13.12	11.15	9.97

For quantities of 50 and up, call for quote.

MOUSER STOCK NO.	CDE Type 381LQ	Value (μF)	Ripple(A) @ 105°C/20Hz	Case D x L (mm)	Price Each		
					1	10	25
<b>400 WVDC</b>							
5985-381-400V220	221M400J032	220	1.54	25X35	4.45	3.78	3.38
5985-381-400V270	271M400K022	270	1.71	30X30	5.60	4.76	4.26
5985-381-400V330	331M400K032	330	2.02	30X35	6.43	5.46	4.88
5985-381-400V390	391M400K042	390	2.17	30X40	7.63	6.48	5.80
5985-381-400V470	471M400A032	470	2.35	35X35	8.95	7.61	6.80
5985-381-400V560	561M400A042	560	2.66	35X40	9.90	8.42	7.52
5985-381-400V680	681M400A452	680	2.97	35X45	11.40	9.69	8.66
<b>450 WVDC</b>							
5985-381-450V100	101M450H022	100	0.9	22X30	3.43	2.91	2.60
5985-381-450V120	121M450H032	120	1.01	22X35	3.70	3.15	2.81
5985-381-450V150	151M450J022	150	1.11	25X30	4.53	3.85	3.44
5985-381-450V180	181M450K022	180	1.22	30X30	5.83	4.95	4.43
5985-381-450V220	221M450K022	220	1.40	30X30	6.33	5.38	4.81
5985-381-450V270	271M450K042	270	1.67	30X40	7.33	6.23	5.57
5985-381-450V330	331M450A032	330	1.93	35X35	8.10	6.89	6.16
5985-381-450V390	391M450A042	390	2.21	35X40	9.08	7.71	6.90
5985-381-450V470	471M450A452	470	2.44	35X45	10.65	9.05	8.09
5985-381-450V560	561M450A052	560	2.66	35X50	12.78	10.86	9.71

CDE CORNELL DUBILIER

## 381LX, 105°C SERIES - HIGH RIPPLE SNAPMOUNT

DIMENSIONS: mm

### Specifications:

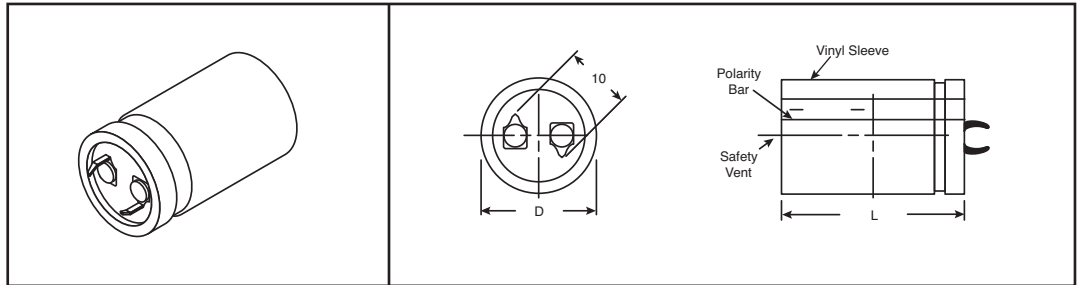
- Voltage rating: 16VDC to 450VDC
- Operating temperature: <315V: -40°C to +105°C; ≥ 350V: -25°C to +105°C
- Capacitance tolerance: 20%
- Leakage current: ≤ 3 √ CV μA at 5 min.
- EIA Ripple life: 12,000 hours @ 85°C

### Features:

- More capacitance per case size
- 4 Times the life of 380LX Series
- High ripple capability



RoHS Compliant



For quantities of 50 and up, call for quote.

MOUSER STOCK NO.	CDE Type 381LX	Value (μF)	Ripple(A) @ 105°C/120Hz	Case D x L (mm)	Price Each		
					1	10	25
<b>16 WVDC</b>							
5985-16V10000	103M016J012	10,000	2.60	25 x 25	3.27	2.84	2.65
5985-16V15000	153M016J032	15,000	3.20	25 x 35	3.80	3.45	3.09
<b>25 WVDC</b>							
5985-25V10000	103M025J032	10,000	3.00	25 x 35	3.33	2.83	2.53
5985-25V15000	153M025J452	15,000	3.60	25 x 45	4.43	3.90	3.55
<b>35 WVDC</b>							
5985-35V4700J	472M035J012	4,700	1.60	25 x 25	3.62	3.10	2.43
5985-35V10000	103M035J052	10,000	3.50	25 x 50	4.77	3.88	3.74
5985-35V22000	223M035A052	22,000	5.00	35 x 50	8.10	7.34	6.60
<b>63 WVDC</b>							
5985-63V2200	222M063J022	2,200	2.00	25 x 30	2.80	2.37	2.15
5985-63V10000	103M063A052	10,000	4.40	35 x 50	8.01	7.15	6.72
<b>200 WVDC</b>							
5985-200V220	221M200H012	220	1.00	22 x 25	3.06	2.49	2.27
5985-200V330H	331M200H022	330	1.20	22 x 30	3.31	2.73	2.60
5985-200V330	331M200J012	330	1.20	25 x 25	2.88	2.45	2.19
5985-200V470	471M200J032	470	1.40	25 x 35	3.42	2.90	2.60
5985-200V680	681M200J042	680	1.70	25 x 40	5.30	4.32	3.92
5985-200V680K	681M200K022	680	1.70	30 x 30	4.18	3.67	3.34
5985-200V1000K	102M200K032	1,000	2.20	30 x 35	6.29	5.48	4.82

For quantities of 50 and up, call for quote.

MOUSER STOCK NO.	CDE Type 381LX	Value (μF)	Ripple(A) @ 105°C/120Hz	Case D x L (mm)	Price Each		
					1	10	25
<b>200 WVDC (Cont.)</b>							
5985-200V1200	122M200K052	1,200	2.30	30 x 50	8.61	7.02	6.51
5985-200V1500	152M200A042	1,500	2.50	35 x 40	10.31	8.39	8.12
<b>250 WVDC</b>							
5985-250V180	181M250J012	180	1.30	25 x 25	3.31	2.81	2.51
5985-250V220	221M250J012	220	1.00	25 x 25	3.81	3.18	2.73
5985-250V330	331M250K012	330	1.20	30 x 25	4.77	3.89	3.59
5985-250V680	681M250K452	680	1.70	30 x 45	6.83	5.94	5.59
5985-250V1000	102M250A452	1,000	2.20	35 x 45	9.81	8.53	8.02
5985-250V1500	152M250A052	1,500	2.50	35 x 50	12.53	10.89	10.24
<b>450 WVDC</b>							
598-81LX330M450H012	330M450H012	33	.35	22 x 25	2.91	2.49	2.08
5985-450V100	101M450J042	100	.60	25 x 40	5.08	4.23	3.72
5985-450V150	151M450K022	150	.80	30 x 30	6.80	5.67	4.73
5985-450V220	221M450K052	220	.90	30 x 50	7.26	6.30	5.92
5985-450V220A	221M450A042	220	.90	35 x 40	9.49	8.30	7.72
5985-450V270	271M450A032	270	1.20	35 x 35	8.93	7.65	7.05
5985-450V330	331M450A042	330	1.40	35 x 40	12.83	10.69	8.65
5985-450V470	471M450A052	470	1.70	35 x 50	15.24	11.29	10.08