

CORNELL DUBILIER Aluminum Electrolytic Capacitors



This product is RoHS compliant.

CORNELL DUBILIER TYPE SLP 105°C

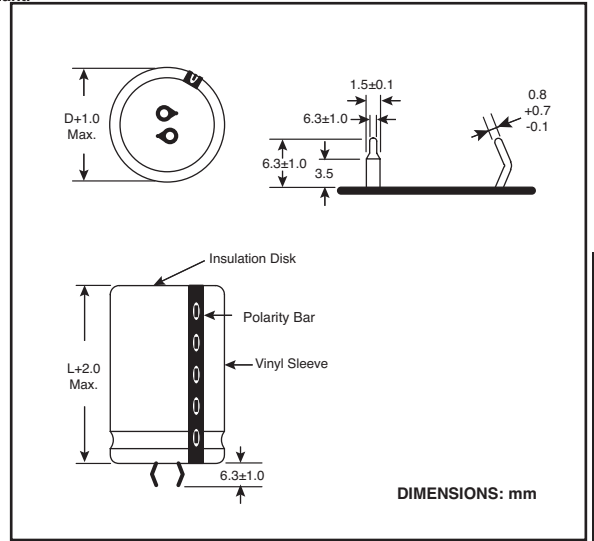
Type SLP can operate at 105°C at rated voltage for 3000 hours. Best value package compared to the other snap-in series.

Specifications:

- Operating temperature: -40°C to 105°C (10VDC~250VDC)
-25°C to 105°C (160VDC~450VDC)
- Voltage range: 10VDC to 450VDC
- Capacitance range: 180µF to 56,000µF
- Capacitance tolerance: ±20%
- Leakage current: ≤3 VCV (µA)

Features:

- 3000 h ripple load life at rated voltage
- Small case size with high capacitance
- Best for switching power supplies
- 22mm to 35mm diameter, 10mm lead spacing
- High ripple current
- Ripple current multipliers:



Ambient Temperature/Multiplier			
20 to 45°C	65°C	85°C	105°C
2.00	1.89	1.52	1.00

Voltage	Frequency/Multiplier			
	60Hz	120Hz	1kHz	10 kHz & Up
10-100Vdc	0.90	1.00	1.15	1.25
160-450Vdc	0.80	1.00	1.25	1.47



RoHS Compliant



RoHS Compliant

For quantities of 200 and up, call for quote.

MOUSER STOCK NO.	VDC	Value (µF)	Ripple(A) @ 120Hz@85°C	Case D x L (mm)	Price Each			
					1	10	50	100
105°C								
598-SLP153M025C4P3	25	15000	3.6	25 x 45	2.81	2.17	1.67	1.47
598-SLP103M035C7P3	35	10000	3.04	25 x 40	2.99	2.30	1.76	1.57
598-SLP223M035H9P3	35	22000	5.48	35 x 50	5.40	4.05	3.39	2.97
598-SLP472M035C1P3	35	4700	2.2	25 x 25	1.81	1.39	1.07	.95
598-SLP332M050C3P3	50	3300	2	25 x 30	2.06	1.59	1.21	1.07
598-SLP472M050C5P3	50	4700	2.43	25 x 35	2.71	2.08	1.60	1.42
598-SLP103M063H9P3	63	10000	5.11	35 x 50	6.40	4.95	3.96	3.77
598-SLP222M063C3P3	63	2200	2	25 x 30	2.18	1.69	1.31	1.15
598-SLP332M063E3P3	63	3300	2.5	30 x 30	3.08	2.37	1.82	1.61
598-SLP682M063H7P3	63	6800	3.84	35 x 40	5.14	3.86	3.20	2.83
598-SLP102M100C1P3	100	1000	1.45	25 x 25	2.67	2.06	1.58	1.40
598-SLP222M100C4P3	100	2200	2.53	25 x 45	4.61	3.45	2.88	2.54
598-SLP472M100H4P3	100	4700	3.8	35 x 45	8.53	6.61	5.27	5.06
598-SLP681M100A1P3	100	680	1.09	22 x 25	1.99	1.53	1.18	1.04
598-SLP102M160C4P3	160	1000	2.4	25 x 45	3.11	2.33	1.94	1.71
598-SLP102M160E5P3	160	1000	2.25	30 x 35	3.26	2.45	2.05	1.79
598-SLP122M160H3P3	160	1200	2.49	35 x 30	3.92	2.94	2.44	2.16
598-SLP152M160E4P3	160	1500	2.84	30 x 45	4.46	3.34	2.79	2.45
598-SLP152M160H5P3	160	1500	2.84	35 x 35	4.61	3.46	2.87	2.54
598-SLP182M160E9P3	160	1800	3.82	30 x 50	5.15	3.86	3.21	2.84
598-SLP182M160H7P3	160	1800	3	35 x 40	5.29	3.97	3.31	2.91
598-SLP331M160A1P3	160	330	1.2	22 x 25	1.56	1.20	.92	.82
598-SLP391M160A3P3	160	390	1.3	22 x 30	1.71	1.32	1.01	.89
598-SLP471M160A3P3	160	470	1.55	22 x 30	1.89	1.46	1.12	.99
598-SLP471M160C1P3	160	470	1.55	25 x 25	2.02	1.56	1.20	1.05
598-SLP561M160A5P3	160	560	1.67	22 x 35	2.15	1.65	1.27	1.12
598-SLP561M160C3P3	160	560	1.67	25 x 30	2.23	1.72	1.32	1.18
598-SLP681M160A7P3	160	680	1.82	22 x 40	2.44	1.88	1.46	1.28
598-SLP681M160C5P3	160	680	1.85	25 x 35	2.55	1.97	1.51	1.33
598-SLP681M160E1P3	160	680	1.82	30 x 25	2.73	2.10	1.62	1.43
598-SLP821M160A4P3	160	820	2.04	22 x 45	2.82	2.17	1.67	1.48
598-SLP821M160C7P3	160	820	2.04	25 x 40	2.93	2.25	1.73	1.53
598-SLP821M160E3P3	160	820	2.04	30 x 30	3.07	2.36	1.83	1.60
598-SLP102M180C4P3	180	1000	2.3	25 x 45	4.95	3.70	3.10	2.72
598-SLP102M180E5P3	180	1000	2.3	30 x 35	5.54	4.27	3.43	3.27
598-SLP102M180H3P3	180	1000	2.3	35 x 30	4.32	3.24	2.71	2.38
598-SLP122M180E7P3	180	1200	2.55	30 x 40	5.93	4.45	3.72	3.26
598-SLP152M180E4P3	180	1500	2.9	30 x 45	6.57	5.09	4.06	3.87
598-SLP152M180H7P3	180	1500	2.9	35 x 40	5.92	4.44	3.71	3.26
598-SLP182M180H4P3	180	1800	3.3	35 x 45	6.34	4.91	3.92	3.73
598-SLP222M180H9P3	180	2200	3.65	35 x 50	7.52	5.80	4.65	4.46
598-SLP271M180A1P3	180	270	1	22 x 25	1.65	1.27	.98	.86
598-SLP331M180A3P3	180	330	1.2	22 x 30	1.86	1.43	1.10	.97
598-SLP391M180A3P3	180	390	1.35	22 x 30	2.04	1.58	1.22	1.06
598-SLP391M180C1P3	180	390	1.35	25 x 25	2.16	1.67	1.29	1.14
598-SLP471M180A5P3	180	470	1.5	22 x 35	2.34	1.80	1.39	1.23
598-SLP471M180C3P3	180	470	1.5	25 x 30	2.42	1.87	1.44	1.27
598-SLP561M180A7P3	180	560	1.67	22 x 40	2.64	2.03	1.56	1.38
598-SLP561M180C3P3	180	560	1.67	25 x 30	3.08	2.31	1.92	1.70
598-SLP561M180E1P3	180	560	1.67	30 x 25	3.27	2.44	2.04	1.79
598-SLP681M180A4P3	180	680	1.78	22 x 45	3.09	2.39	1.83	1.62
598-SLP681M180C5P3	180	680	1.78	25 x 35	3.59	2.69	2.24	1.97
598-SLP681M180E3P3	180	680	1.78	30 x 30	3.08	2.31	1.92	1.69

