

CORNELL DUBILIER Aluminum Electrolytic Capacitors



CDE CORNELL DUBILIER

TYPE SLPX 85°C

Type SLPX can operate at 85°C at rated voltage for 3000 hours. Best value package compared to the other snap-in series.

Specifications:

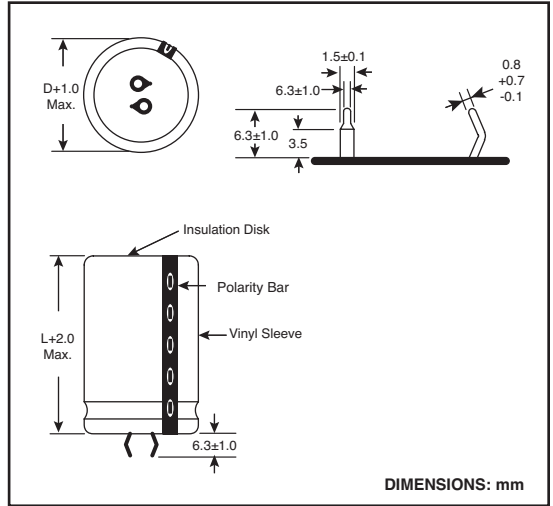
- Operating temperature: -40°C to 85°C (10VDC-450VDC)
- Voltage range: 10VDC to 450VDC
- Capacitance range: 220µF to 82,000µF
- Capacitance tolerance: ±20%
- Leakage current: ≤3 µCV (µA)

Features:

- 3000 h ripple load life at rated voltage
- Small case size with high capacitance
- Best for switching power supplies
- 22mm to 35mm diameter, 10mm lead spacing
- High ripple current
- Ripple current multipliers:

Ambient Temperature/Multiplier			
20 to 45°C	65°C	85°C	105°C
2.00	1.89	1.52	1.00

Voltage	Frequency/Multiplier			
	60Hz	120Hz	1kHz	10 kHz & Up
10-100Vdc	0.90	1.00	1.15	1.25
160-450Vdc	0.80	1.00	1.25	1.47



DIMENSIONS: mm

Aluminum Caps, Can

Cornell Dubilier



This product is RoHS compliant.

RoHS Compliant

For quantities of 200 and up, call for quote.

MOUSER STOCK NO.	VDC	Value (µF)	Ripple(A) @ 120Hz@85°C	Case D x L (mm)	Price Each			
					1	10	50	100
85°C								
598-SLPX103M016A3P3	16	10000	2.89	22 x 30	1.33	1.02	.79	.70
598-SLPX183M016E3P3	16	18000	3.88	30 x 30	2.12	1.63	1.25	1.11
598-SLPX103M025A5P3	25	10000	3.31	22 x 35	1.78	1.37	1.05	.93
598-SLPX153M025A9P3	25	15000	4.21	22 x 50	2.34	1.80	1.39	1.23
598-SLPX153M025C7P3	25	15000	4.1	25 x 40	2.43	1.87	1.45	1.27
598-SLPX223M025C9P3	25	22000	5.29	25 x 50	3.55	2.66	2.22	1.95
598-SLPX223M025E7P3	25	22000	5.33	30 x 40	3.11	2.33	1.93	1.71
598-SLPX333M025E9P3	25	33000	5.29	30 x 50	3.98	2.98	2.47	2.18
598-SLPX333M025H4P3	25	33000	6.75	35 x 45	4.37	3.28	2.73	2.41
598-SLPX682M025A3P3	25	6800	2.56	22 x 30	1.42	1.10	.84	.74
598-SLPX103M035C7P3	35	10000	3.65	25 x 40	2.42	1.86	1.43	1.26
598-SLPX103M035E3P3	35	10000	3.61	30 x 30	2.56	1.99	1.52	1.34
598-SLPX153M035C9P3	35	15000	4.77	25 x 50	3.54	2.65	2.20	1.95
598-SLPX153M035E7P3	35	15000	4.8	30 x 40	3.14	2.35	1.96	1.73
598-SLPX223M035H4P3	35	22000	6.38	35 x 45	4.34	3.26	2.73	2.39
598-SLPX472M035A3P3	35	4700	2.46	22 x 30	1.46	1.11	.86	.76
598-SLPX472M035C1P3	35	4700	2.43	25 x 25	1.54	1.18	.90	.80
598-SLPX682M035A7P3	35	6800	2.97	22 x 40	1.80	1.39	1.07	.94
598-SLPX682M035C3P3	35	6800	2.89	25 x 30	1.87	1.44	1.11	.98
598-SLPX682M035E1P3	35	6800	3.09	30 x 25	2.06	1.59	1.21	1.07
598-SLPX822M035E3P3	35	8200	3.29	30 x 30	2.28	1.76	1.35	1.20
598-SLPX103M050E7P3	50	10000	5.08	30 x 40	3.33	2.50	2.08	1.83
598-SLPX153M050H4P3	50	15000	6.56	35 x 45	4.71	3.53	2.94	2.59
598-SLPX183M050H9P3	50	18000	7.14	35 x 50	5.42	4.07	3.40	2.98
598-SLPX222M050A1P3	50	22000	1.93	22 x 25	1.27	.98	.75	.65
598-SLPX223M050H9P3	50	22000	7.89	35 x 50	5.94	4.60	3.67	3.52
598-SLPX332M050A3P3	50	3300	2.41	22 x 30	1.56	1.20	.92	.81
598-SLPX332M050C1P3	50	3300	2.38	25 x 25	1.64	1.27	.98	.86
598-SLPX472M050A7P3	50	4700	3.02	22 x 40	1.94	1.49	1.15	1.01
598-SLPX472M050C3P3	50	4700	3.07	25 x 30	2.01	1.55	1.18	1.05
598-SLPX472M050E1P3	50	4700	3.01	30 x 25	2.19	1.70	1.31	1.15
598-SLPX562M050A7P3	50	5600	3.26	22 x 40	2.25	1.73	1.33	1.18
598-SLPX682M050A9P3	50	6800	3.94	22 x 50	2.51	1.93	1.48	1.31
598-SLPX682M050C7P3	50	6800	3.87	25 x 40	2.59	2.01	1.54	1.35
598-SLPX682M050E5P3	50	6800	3.93	30 x 35	2.76	2.12	1.63	1.45
598-SLPX103M063E9P3	63	10000	5.78	30 x 50	4.72	3.54	2.96	2.60
598-SLPX103M063H7P3	63	10000	5.75	35 x 40	4.89	3.67	3.06	2.69
598-SLPX222M063A3P3	63	2200	2.35	22 x 30	1.61	1.22	.95	.84
598-SLPX472M063E3P3	63	4700	3.54	30 x 30	2.91	2.24	1.72	1.52
598-SLPX682M063E7P3	63	6800	4.55	30 x 40	3.51	2.63	2.18	1.93
598-SLPX682M063H3P3	63	6800	4.44	35 x 30	3.67	2.75	2.29	2.02
598-SLPX822M063H5P3	63	8200	5.05	35 x 35	4.34	3.26	2.71	2.39
598-SLPX222M080C3P3	80	2200	2.53	25 x 30	2.33	1.80	1.38	1.22
598-SLPX332M080A9P3	80	3300	3.23	22 x 50	3.06	2.35	1.81	1.60
598-SLPX332M080C7P3	80	3300	3.29	25 x 40	3.15	2.43	1.87	1.64
598-SLPX472M080H3P3	80	4700	4.12	35 x 30	4.14	3.11	2.58	2.28
598-SLPX682M080E9P3	80	6800	5.27	30 x 50	5.34	4.00	3.34	2.93
598-SLPX682M080H7P3	80	6800	5.24	35 x 40	5.52	4.14	3.45	3.03
598-SLPX102M100A3P3	100	1000	2.02	22 x 30	1.74	1.33	1.03	.91
598-SLPX222M100C7P3	100	2200	3.21	25 x 40	3.05	2.29	1.91	1.68
598-SLPX222M100E3P3	100	2200	3.17	30 x 30	3.19	2.40	2.01	1.75
598-SLPX332M100E7P3	100	3300	4.18	30 x 40	4.37	3.28	2.73	2.40
598-SLPX472M100H7P3	100	4700	5.23	35 x 40	5.99	4.49	3.73	3.30
598-SLPX682M100H9P3	100	6800	6.01	35 x 50	7.24	5.61	4.48	4.27
598-SLPX102M160A9P3	160	1000	3.02	22 x 50	3.16	2.44	1.87	1.65
598-SLPX102M160C7P3	160	1000	3	25 x 40	3.01	2.26	1.88	1.65

RoHS Compliant

For quantities of 200 and up, call for quote.

MOUSER STOCK NO.	VDC	Value (µF)	Ripple(A) @ 120Hz@85°C	Case D x L (mm)	Price Each			
					1	10	50	100
85°C								
598-SLPX102M160E3P3	160	1000	2.96	30 x 30	3.16	2.37	1.97	1.74
598-SLPX122M160H3P3	160	1200	3.4	35 x 30	3.77	2.83	2.36	2.07
598-SLPX152M160E7P3	160	1500	3.96	30 x 40	4.27	3.20	2.67	2.34
598-SLPX182M160H5P3	160	1800	4.28	35 x 35	5.08	3.81	3.16	2.79
598-SLPX222M160H7P3	160	2200	4.96	35 x 40	5.95	4.47	3.71	3.28
598-SLPX391M160A1P3	160	390	1.63	22 x 25	1.65	1.27	.98	.86
598-SLPX471M160A3P3	160	470	1.86	22 x 30	1.86	1.42	1.09	.97
598-SLPX471M160C1P3	160	470	1.86	25 x 25	1.94	1.49	1.16	1.01
598-SLPX561M160A3P3	160	560	2.15	22 x 30	2.04	1.58	1.21	1.07
598-SLPX681M160A7P3	160	680	2.35	22 x 40	2.37	1.83	1.41	1.24
598-SLPX681M160C3P3	160	680	2.33	25 x 30	2.45	1.89	1.45	1.28
598-SLPX821M160C5P3	160	820	2.65	25 x 35	2.79	2.16	1.65	1.47
598-SLPX222M180H7P3	180	2200	4.83	35 x 40	5.84	4.53	3.61	3.44
598-SLPX272M180H9P3	180	2700	5.3	35 x 50	6.96	5.37	4.30	4.11
598-SLPX331M180A1P3	180	330	1.49	22 x 25	1.56	1.20	.92	.82
598-SLPX471M180C1P3	180	470	2.08	25 x 25	2.50	1.93	1.47	1.31
598-SLPX102M200C4P3	200	1000	3.28	25 x 45	3.55	2.66	2.21	1.95
598-SLPX102M200E5P3	200	1000	3.15	30 x 35	4.00	3.00	2.50	2.20
598-SLPX102M200H3P3	200	1000	3.25	35 x 30	4.44	3.33	2.76	2.44
598-SLPX122M200E4P3	200	1200	3.8	30 x 45	4.24	3.17	2.65	2.32
598-SLPX122M200E7P3	200	1200	3.61	30 x 40	4.24	3.17	2.65	2.32
598-SLPX122M200H5P3	200	1200	3.57	35 x 35	4.85	3.63	3.03	2.66
598-SLPX152M200E4P3	200	1500	4.13	30 x 45	5.36	4.02	3.34	2.95
598-SLPX152M200H4P3	200	1500	4.26	35 x 45	5.62	4.21	3.52	3.09
598-SLPX152M200H7P3	200	1500	4.06	35 x 40	5.70	4.27	3.56	3.14
598-SLPX222M200H9P3	200	2200	5.25	35 x 50	6.53	5.06	4.04	3.84
598-SLPX271M200A1P3	200	270	1.37	22 x 25	1.58	1.22	.94	.83
598-SLPX331M200A1P3	200	330	1.51	22 x 25	1.76	1.35	1.04	.91
598-SLPX331M200A3P3	200	330	1.63	22 x 30	1.77	1.37	1.05	.93
598-SLPX391M200A3P3	200	390	1.73	22 x 30	1.98	1.52	1.17	1.03
598-SLPX471M200A3P3	200	470	1.97	22 x 30	2.20	1.69	1.30	1.15
598-SLPX561M200A7P3	200	560	2.18	22 x 40	2.58	1.98	1.53	1.35
598-SLPX561M200E1P3	200	560	2.15	30 x 25	2.79	2.15	1.65	1.46
598-SLPX681M200A4P3	200	680	2.48	22 x 45	2.98	2.29	1.76	1.56
598-SLPX681M200C5P3	200	680	2.48	25 x 35	3.02	2.32	1.79	1.58
598-SLPX821M200A9P3	200	820	2.81	22 x 50	3.12	2.33	1.95	1.72
598-SLPX271M200C7P3	200	820	2.79	25 x 40	3.24	2.43	2.02	1.78
598-SLPX821M200E3P3	200	820	2.75	30 x 30	3.35	2.51	2.09	1.84
598-SLPX102M250E4P3	250	1000	3.56	30 x 45	5.98	4.49	3.73	3.30
598-SLPX102M250E5P3	250	1000	3.2	30 x 35	5.83	4.38	3.66	3.21
598-SLPX102M250E9P3	250	1000	3.73	30 x 50	5.83	4.38	3.66	3.21
598-SLPX102M250H5P3	250	1000	3.48	35 x 35	5.65	4.35	3.49	3.32
598-SLPX152M250H4P3	250	1500	4.33	35 x 45	7.95	6.13	4.91	4.71
598-SLPX221M250A1P3	250	220	1.24	22 x 25	1.90	1.47	1.13	1.00
598-SLPX271M250A3P3	250	270	1.5	22 x 30	2.19	1.69	1.30	1.15
598-SLPX331M250A3P3	250	330	1.66	22 x 30	2.51	1.93	1.48	1.31
598-SLPX331M250C1P3	250	330	1.61	25 x 25	2.67	2.05	1.58	1.40
598-SLPX391M250A5P3	250	390	1.88	22 x 35	2.86	2.20	1.69	1.49
598-SLPX471M250A7P3	250	470	2.15	22 x 40	3.01	2.26	1.88	1.66