

FUJITSU LCD Touch Panels and Accessories



Products may be RoHS compliant.
Check mouser.com for RoHS status.

FUJITSU TOUCH PANELS

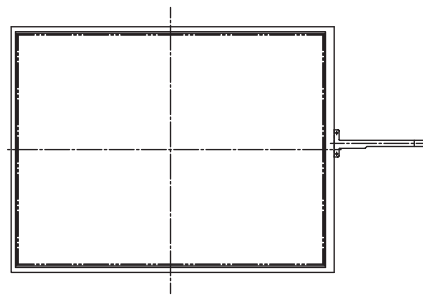
Features:

- Superior long life using a unique construction method offering improved life over typical technologies; by sensing data input only on the glass layer typically a 10x improvement in product life is achieved.
- Excellent specification and high quality
- Anti-Newton ring technology
- High reliability materials
- 1.1mm glass with AG topcoat



RoHS Compliant

MOUSER STOCK NO.	Fujitsu Part No.	Fits LCD Size (IN)	Style	Transparency	Price Each			
					1	25	50	100
7-Wire Series								
817-N010-0510-T219	N010-0510-T219	15	Pen & Finger	86%	142.62	134.16	126.03	Call For Quote
817-N010-0550-T717	N010-0550-T717	12.1	Pen & Finger	80%	68.67	64.15	59.35	
817-N010-0550-T613	N010-0550-T613	10.4	Pen & Finger	80%	54.25	50.98	47.25	
4-Wire Series								
817-N010-0554-T805	N010-0554-T805	12.1	Pen & Finger	80%	60.69	57.20	52.82	Call For Quote
817-N010-0554-T347	N010-0554-T347	10.4	Pen & Finger	80%	53.57	45.99	42.47	
817-N010-0519-T742	N010-0519-T742	8.4	Pen & Finger	86%	45.55	43.38	41.41	
817-N010-0554-T504	N010-0554-T504	8.4	Pen & Finger	80%	35.34	33.42	30.87	
817-N010-0554-T048	N010-0554-T048	6.4	Pen & Finger	86%	29.92	27.46	25.46	
817-N010-0554-T043	N010-0554-T043	6.4	Pen & Finger	80%	21.90	20.63	19.05	
817-N010-0554-T009	N010-0554-T009	5.7	Pen & Finger	80%	18.57	17.49	16.15	
817-N010-0554-T703	N010-0554-T703	3.8	Pen & Finger	80%	10.95	10.32	9.53	



FUJITSU RESISTIVE TOUCH PANEL CONTROLLER ICs

Features:

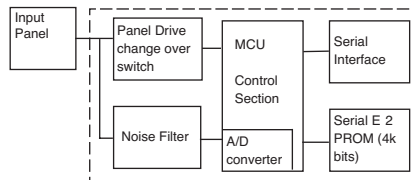
- High quality and reliability touch panel controller
- Serial Interface (RS-232)
- Used to control the 7-Wire resistive touch panels
- 64 pin PQFP MCU with masked ROM



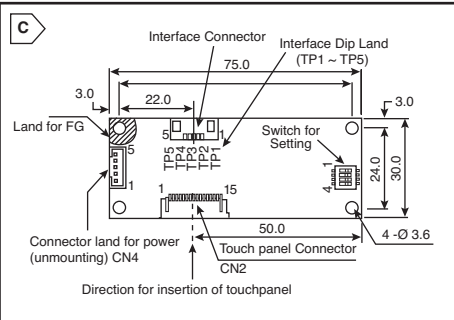
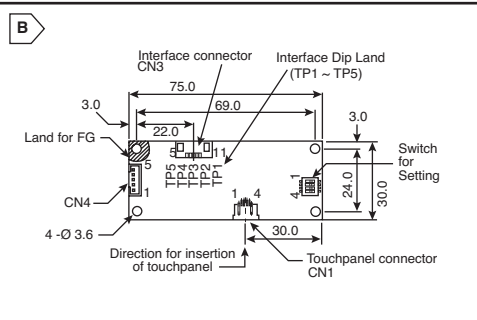
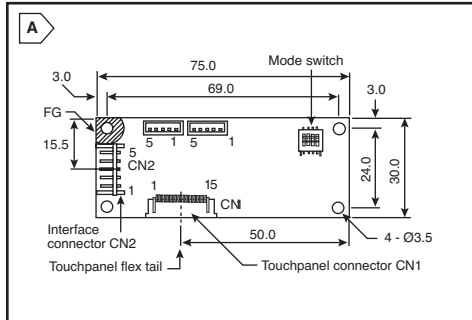
RoHS Compliant

For quantities of 250 and up, call for quote.

MOUSER STOCK NO.	Fujitsu Part No.	Size	Style	Price Each			
				1	25	50	100
7-Wire Series							
817-N010-0559-V026	N010-0559-V026	Serial RS-232 Microcontroller	Plug & play	8.82	8.31	7.67	7.14
817-NC41120-0017	NC41120-0017	USB Microcontroller	-	8.82	8.31	7.67	7.14
4-Wire Series							
817-NC41120-0018	NC41120-0018	USB Microcontroller	-	11.72	11.10	10.32	9.68
817-N010-0559-V036	N010-0559-V036	Serial RS-232 Microcontroller	Plug & play	10.72	10.10	9.32	8.68



FUJITSU RESISTIVE TOUCH PANEL CONTROLLER BOARDS



Features:

- Small footprint PCB
- Supports all major OS types with Fujitsu Driver software
- A complete solution for quick prototype to production use or as a design tool to speed up application and compatibility testing

Main Applications:

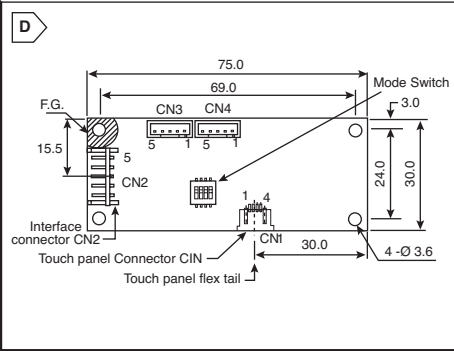
- For use with any of the Fujitsu Resistive Touch Panels
- Point of Sale devices
- Access terminals
- Monitoring Systems and Data input terminals



RoHS Compliant

For quantities of 250 and up, call for quote.

MOUSER STOCK NO.	Fujitsu Part No.	Fig.	Size	Price Each			
				1	25	50	100
7-Wire Series							
817-N16B-0558-B280	N16B-0558-B280	A	Serial RS-232 Interface board	28.57	26.91	24.85	23.14
817-N16B-0558-B740	N16B-0558-B740	B	USB 1.1 Interface board	28.57	26.91	24.85	23.14
4-Wire Series							
817-N16B-0558-B270	N16B-0558-B270	C	Serial RS-232 Interface board	23.57	22.20	20.50	19.09
817-N16B-0558-B730	N16B-0558-B730	D	USB 1.1 Interface board	23.57	22.20	20.50	19.09



FUJITSU RESISTIVE TOUCH PANEL CONTROLLER BOARD CABLES



RoHS Compliant

For quantities of 250 and up, call for quote.

MOUSER STOCK NO.	Fujitsu Part No.	Size	Price Each			
			1	25	50	100
817-CABLE-RS232	CABLE/RTP/RS232	Serial Cable for -B230, -B240	11.95	11.49	11.03	10.27
817-CABLE-USB	CABLE/RTP/USB	USB cable for -B710, -B720	17.33	16.49	16.01	14.90

FUJITSU RESISTIVE TOUCH PANEL STYLUS

MOUSER STOCK NO.	Fujitsu Part No.	Size	Price Each
817-N010-0557-T002	N010-0557-T002	Stylus for Touch panel	9.77