

ALPHA Illuminated Slide and Rotary Potentiometers



ALPHA

RoHS Compliant This product is RoHS compliant.

ALPHA SLIDE POTENTIOMETERS WITH LED

Specifications:

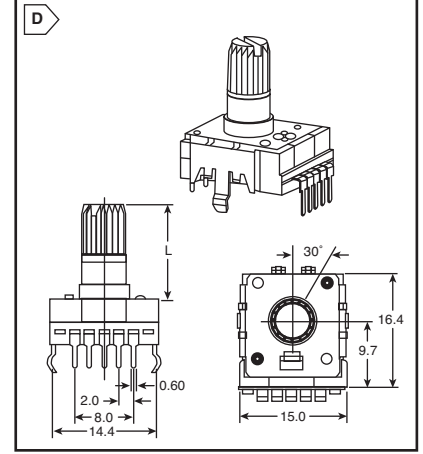
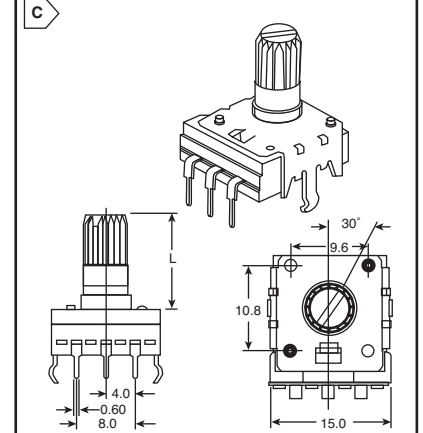
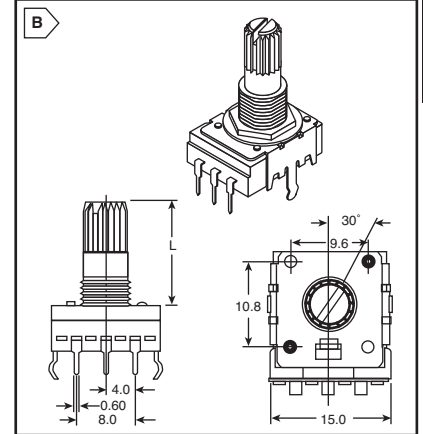
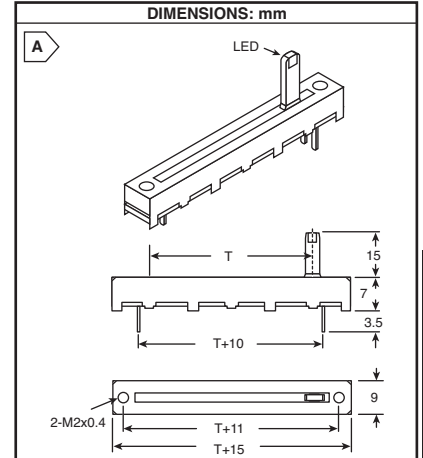
- Tolerance: ±20%
- Slide Life: 15,000 Cycles
- Rated Voltage: 200V
- Rated Wattage: 20mm-0.1, 30mm & 45mm-0.2
- Insulation resistance: 100M Ω @ 250VDC
- Breakdown voltage: 300VAC for 1 minute
- Linear Taper
- Center Detent
- No knob required
- Lever length: 15mm
- Slide travel: 20mm, 30mm and 45mm
- LED's available in Red, Green and Amber



RoHS Compliant

For quantities 1000 and up, call for quote.

MOUSER STOCK NO.	Alpha Part No.	Fig.	Lever Travel (T)	Value (Ω)	LED Color	Price Each			
						1	10	100	500
312-2045F-R5K	RA2045F-20R-15LC-B5K-C	A	20mm	5K	Red	2.30	1.98	1.70	1.42
312-2045F-G5K	RA2045F-20G-15LC-B5K-C	A	20mm	5K	Green	2.30	1.98	1.70	1.42
312-2045F-A5K	RA2045F-20A-15LC-B5K-C	A	20mm	5K	Amber	2.30	1.98	1.70	1.42
312-2045F-R10K	RA2045F-20R-15LC-B10K-C	A	20mm	10K	Red	2.30	1.98	1.70	1.42
312-2045F-G10K	RA2045F-20G-15LC-B10K-C	A	20mm	10K	Green	2.30	1.98	1.70	1.42
312-2045F-A10K	RA2045F-20A-15LC-B10K-C	A	20mm	10K	Amber	2.30	1.98	1.70	1.42
312-2045F-R50K	RA2045F-20R-15LC-B50K-C	A	20mm	50K	Red	2.30	1.98	1.70	1.42
312-2045F-G50K	RA2045F-20G-15LC-B50K-C	A	20mm	50K	Green	2.30	1.98	1.70	1.42
312-2045F-A50K	RA2045F-20A-15LC-B50K-C	A	20mm	50K	Amber	2.30	1.98	1.70	1.42
312-2045F-R100K	RA2045F-20R-15LC-B100K-C	A	20mm	100K	Red	2.30	1.98	1.70	1.42
312-2045F-G100K	RA2045F-20G-15LC-B100K-C	A	20mm	100K	Green	2.30	1.98	1.70	1.42
312-2045F-A100K	RA2045F-20A-15LC-B100K-C	A	20mm	100K	Amber	2.30	1.98	1.70	1.42
312-3045F-R5K	RA3045F-20R-15LC-B5K-C	A	30mm	5K	Red	2.35	2.03	1.75	1.46
312-3045F-G5K	RA3045F-20G-15LC-B5K-C	A	30mm	5K	Green	2.35	2.03	1.75	1.46
312-3045F-A5K	RA3045F-20A-15LC-B5K-C	A	30mm	5K	Amber	2.35	2.03	1.75	1.46
312-3045F-R10K	RA3045F-20R-15LC-B10K-C	A	30mm	10K	Red	2.35	2.03	1.75	1.46
312-3045F-G10K	RA3045F-20G-15LC-B10K-C	A	30mm	10K	Green	2.35	2.03	1.75	1.46
312-3045F-A10K	RA3045F-20A-15LC-B10K-C	A	30mm	10K	Amber	2.35	2.03	1.75	1.46
312-3045F-R50K	RA3045F-20R-15LC-B50K-C	A	30mm	50K	Red	2.35	2.03	1.75	1.46
312-3045F-G50K	RA3045F-20G-15LC-B50K-C	A	30mm	50K	Green	2.35	2.03	1.75	1.46
312-3045F-A50K	RA3045F-20A-15LC-B50K-C	A	30mm	50K	Amber	2.35	2.03	1.75	1.46
312-3045F-R100K	RA3045F-20R-15LC-B100K-C	A	30mm	100K	Red	2.35	2.03	1.75	1.46
312-3045F-G100K	RA3045F-20G-15LC-B100K-C	A	30mm	100K	Green	2.35	2.03	1.75	1.46
312-3045F-A100K	RA3045F-20A-15LC-B100K-C	A	30mm	100K	Amber	2.35	2.03	1.75	1.46
312-4545F-R5K	RA4545F-20R-15LC-B5K-C	A	45mm	5K	Red	2.40	2.08	1.80	1.50
312-4545F-G5K	RA4545F-20G-15LC-B5K-C	A	45mm	5K	Green	2.40	2.08	1.80	1.50
312-4545F-A5K	RA4545F-20A-15LC-B5K-C	A	45mm	5K	Amber	2.40	2.08	1.80	1.50
312-4545F-R10K	RA4545F-20R-15LC-B10K-C	A	45mm	10K	Red	2.40	2.08	1.80	1.50
312-4545F-G10K	RA4545F-20G-15LC-B10K-C	A	45mm	10K	Green	2.40	2.08	1.80	1.50
312-4545F-A10K	RA4545F-20A-15LC-B10K-C	A	45mm	10K	Amber	2.40	2.08	1.80	1.50
312-4545F-R50K	RA4545F-20R-15LC-B50K-C	A	45mm	50K	Red	2.40	2.08	1.80	1.50
312-4545F-G50K	RA4545F-20G-15LC-B50K-C	A	45mm	50K	Green	2.40	2.08	1.80	1.50
312-4545F-A50K	RA4545F-20A-15LC-B50K-C	A	45mm	50K	Amber	2.40	2.08	1.80	1.50
312-4545F-R100K	RA4545F-20R-15LC-B100K-C	A	45mm	100K	Red	2.40	2.08	1.80	1.50
312-4545F-G100K	RA4545F-20G-15LC-B100K-C	A	45mm	100K	Green	2.40	2.08	1.80	1.50
312-4545F-A100K	RA4545F-20A-15LC-B100K-C	A	45mm	100K	Amber	2.40	2.08	1.80	1.50



Potentiometers
Alpha

ALPHA 14MM CLEAR SHAFT POTENTIOMETERS

Features:

- Clear plastic shaft in which a LED can be placed in the bottom to illuminate the shaft
- Any color T1 (3mm) size LED can be used

Specifications:

- Tolerance: ±20%
- Rated Wattage: 0.05
- Rated Voltage: 50V AC
- Rotational Life: 15,000 Cycles
- Rotation torque: 20 to 200g/cm
- Insulation resistance: 100M Ω @ 250VDC
- Breakdown voltage: 300VAC for 1 minute

Applications:

- Video
- Computers
- Audio equipment
- Communications



RoHS Compliant

Clear Shaft Single Rotary Panel Mount Potentiometer

For quantities 1000 and up, call for quote.

MOUSER STOCK NO.	Alpha Part No.	Fig.	Taper	Value (Ω)	L (mm)	Price Each			
						1	50	100	500
313-1400F-5K	RV141F-40E3-18BL-B5K	B	Linear	5K	18	2.04	1.80	1.56	1.32
313-1400F-10K	RV141F-40E3-18BL-B10K	B	Linear	10K	18	2.04	1.80	1.56	1.32
313-1400F-20K	RV141F-40E3-18BL-B20K	B	Linear	20K	18	2.04	1.80	1.56	1.32
313-1400F-50K	RV141F-40E3-18BL-B50K	B	Linear	50K	18	2.04	1.80	1.56	1.32
313-1400F-100K	RV141F-40E3-18BL-B100K	B	Linear	100K	18	2.04	1.80	1.56	1.32

Clear Shaft Single Rotary Potentiometer

For quantities 1000 and up, call for quote.

MOUSER STOCK NO.	Alpha Part No.	Fig.	Taper	Value (Ω)	L (mm)	Price Each			
						1	50	100	500
313-1410F-5K	RV141F-40-20BL-B5K	C	Linear	5K	13.7	1.96	1.72	1.50	1.27
313-1410F-10K	RV141F-40-20BL-B10K	C	Linear	10K	13.7	1.96	1.72	1.50	1.27
313-1410F-20K	RV141F-40-20BL-B20K	C	Linear	20K	13.7	1.96	1.72	1.50	1.27
313-1410F-50K	RV141F-40-20BL-B50K	C	Linear	50K	13.7	1.96	1.72	1.50	1.27
313-1410F-100K	RV141F-40-20BL-B100K	C	Linear	100K	13.7	1.96	1.72	1.50	1.27

Clear Shaft Dual Rotary Potentiometer

For quantities 1000 and up, call for quote.

MOUSER STOCK NO.	Alpha Part No.	Fig.	Taper	Value (Ω)	L (mm)	Price Each			
						1	50	100	500
313-1415F-5K	RV142F-40-20BL-A5K	D	Audio	5K	13.7	2.38	2.10	1.82	1.54
313-1415F-10K	RV142F-40-20BL-A10K	D	Audio	10K	13.7	2.38	2.10	1.82	1.54
313-1415F-20K	RV142F-40-20BL-A20K	D	Audio	20K	13.7	2.38	2.10	1.82	1.54
313-1415F-50K	RV142F-40-20BL-A50K	D	Audio	50K	13.7	2.38	2.10	1.82	1.54
313-1415F-100K	RV142F-40-20BL-A100K	D	Audio	100K	13.7	2.38	2.10	1.82	1.54
313-1420F-5K	RV142F-40-35BL-A5K	D	Audio	5K	28.5	2.38	2.10	1.82	1.54
313-1420F-10K	RV142F-40-35BL-A10K	D	Audio	10K	28.5	2.38	2.10	1.82	1.54
313-1420F-20K	RV142F-40-35BL-A20K	D	Audio	20K	28.5	2.38	2.10	1.82	1.54
313-1420F-50K	RV142F-40-35BL-A50K	D	Audio	50K	28.5	2.38	2.10	1.82	1.54
313-1420F-100K	RV142F-40-35BL-A100K	D	Audio	100K	28.5	2.38	2.10	1.82	1.54