

ALPHA Rotary and Slide Potentiometers



This product is RoHS compliant.

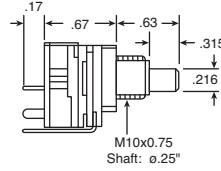
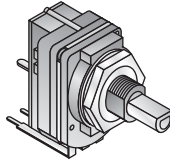


ALPHA 16MM PC MOUNT LINEAR TAPER WITH SWITCH

Features:

- Rated voltage: 200VDC
- Rated wattage: 0.2W
- Insulation resistance: >100MΩ
- Breakdown voltage: 1000VAC for 1 minute
- Switch contact resistance: <100mΩ
- Switch rating: 250VAC, 10A
- Tolerance: <1M: ±20%, ≥1M: ±30%
- Rotational life: 100,000 cycles
- Switch life: 10,000 operations
- Rotation angle: 270°±5°
- Switch circuit: SPST
- "D" shaft (nylon)

DIMENSIONS: in.



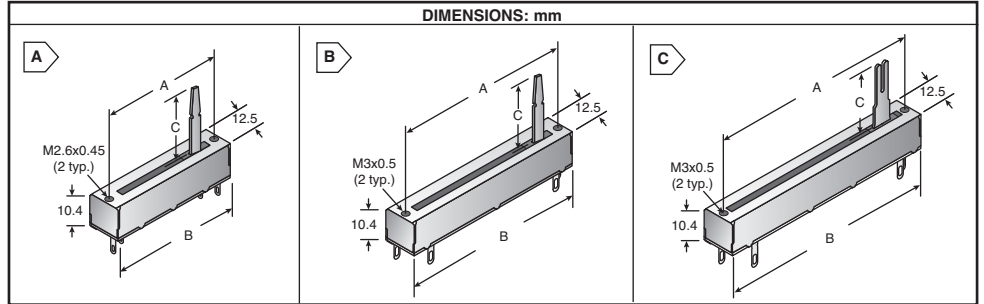
RoHS Compliant

For quantities of 500 and up, call for quote.

MOUSER STOCK NO.	Values (Ω)	Price Each		
		1	10	100
310-1600F-Value	5K, 10K, 50K, 500K	2.78	2.32	2.09

ALPHA SLIDE POTENTIOMETERS

KNOBS FOR SLIDE POTENTIOMETERS	
This is a cross reference to show which knob will fit on which slide potentiometer.	
Potentiometer Part No.	Knob Part No.
312-9000-value 312-9100-value	450-3051, 450-3052, 450-SL4514, & 450-SL5512
312-9301-value 312-9401-value	450-3051, 450-3052, 450-SL4514, & 450-SL5512
312-9201-value 312-9302-value	450-3051, 450-3052, 450-SL4514, & 450-SL5512
The following potentiometers do not require a knob: 312-319AF-value, 312-619AF-value, 312-319BF-value 312-619BF-value, & 312-9500F-value	



All slide potentiometers contain quality carbon composition elements for long life and noise-free operation.

For quantities 1000 and up, call for quote.

MOUSER STOCK NO.	Fig.	Stock Values (Ω) Other Values Available on Request	Watts	Insulation Resistance @ 500VDC	Withstanding Voltage For 1 Minute	Lever Travel	Dimensions (mm.)			Price Each			
							A	B	C	1	10	100	500
Audio Taper													
312-9000F-Value	A	1K, 5K, 10K, 50K, 100K	0.1	50MΩ	300VAC	30	45	50.2	20	1.35	1.08	.98	.88
Linear Taper													
312-9100F-Value	A	500, 1K, 5K, 10K, 25K, 50K, 100K	0.2	50MΩ	300VAC	30	45	50.2	20	1.35	1.08	.98	.88
312-9201F-Value	B	1K, 5K, 10K, 20K, 100K, 500K, 1M	0.25	100MΩ	500VAC	45	65	73	20	1.35	1.08	.98	.88
312-9302F-Value	B	1K, 2K, 5K, 10K, 25K, 50K, 100K, 250K, 500K, 1M	0.5	100MΩ	500VAC	60	80	88	20	2.12	1.76	1.61	1.46
312-9301F-Value	C	1K, 2K, 5K, 10K, 50K, 100K	0.5	100MΩ	500VAC	60	80	88	15	1.83	1.53	1.40	1.26

ALPHA SLIDE POTENTIOMETERS WITH COLOR INDICATOR

- Watts: .2W
- Slide noise: less than 47mV
- Temperature range: -10°C to +70°C
- PC pins

Stock Items:
White indicator-no knob required
Travel length: 30mm and 60mm
Lever length: 10mm

Options available subject to minimum order requirements:
Indicator colors: black, red, green, orange
Travel length: 20mm and 45mm
Lever length: 15mm and 20mm

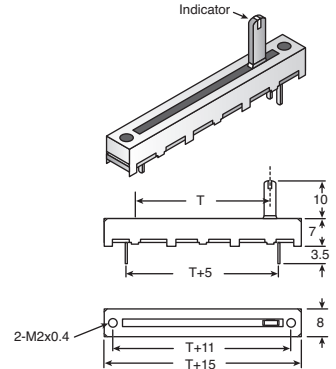


RoHS Compliant

For quantities 1000 and up, call for quote.

MOUSER STOCK NO.	Values (Ω)	T (Travel)	Max. Working Voltage	Withstanding Voltage For 1 Minute	Insulation Resistance @ 500VDC	Price Each			
						1	10	100	500
Audio Taper									
312-219AF-Value	5K, 10K, 50K, 100K	20mm	200VDC	300VAC	50MΩ	1.65	1.43	1.28	1.04
312-319AF-Value	5K, 10K, 50K, 100K	30mm	200VDC	300VAC	50MΩ	1.76	1.44	1.32	1.10
312-619AF-Value	5K, 10K, 50K, 100K	60mm	200VDC	300VAC	50MΩ	2.10	1.63	1.48	1.33
Linear Taper									
312-219BF-Value	1K, 5K, 10K, 50K, 100K	20mm	200VDC	300VAC	50MΩ	1.65	1.43	1.28	1.04
312-319BF-Value	1K, 5K, 10K, 50K, 100K	30mm	200VDC	300VAC	50MΩ	1.76	1.44	1.32	1.10
312-619BF-Value	1K, 5K, 10K, 50K, 100K	60mm	200VDC	300VAC	50MΩ	2.10	1.63	1.48	1.33

DIMENSIONS: mm



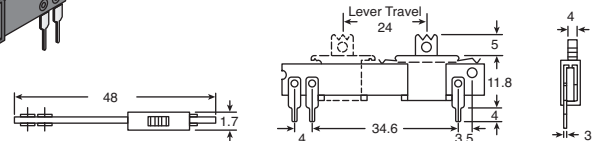
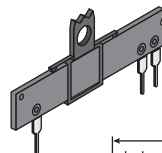
ALPHA PC MOUNT MINI-SLIDE POTENTIOMETERS

- Tolerance: ±20%
- Slide travel: 20mm
- No knob required
- Breakdown voltage for 1 min.: 250V
- Insulation resistance: 10MΩ @ 250VAC

RoHS Compliant

For quantities 1000 and up, call for quote.

MOUSER STOCK NO.	Description	Value (Ω)	Price Each			
			1	10	100	500
312-9500F-Value	Linear taper	1K, 5K, 10K, 50K, 100K	1.13	.88	.79	.72



DIMENSIONS: mm