

# BOURNS Precision Potentiometers and Dials

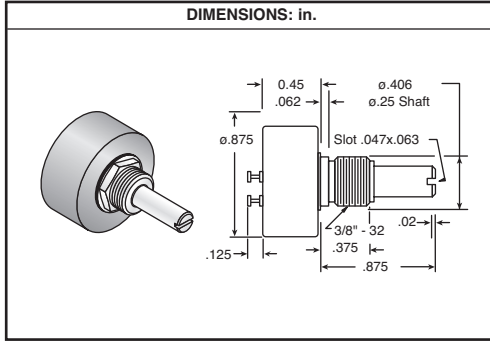


## 6639 SERIES/CONDUCTIVE PLASTIC/PRECISION

- Features:**
- Essentially infinite resolution
  - Excellent rotational life
  - High quality, rugged construction
  - General purpose applications

- Specifications:**
- Resistance tolerance: ±15%
  - Power rating: 1.0W
  - Mechanical angle: continuous

\* Non-standard features available



MOUSER STOCK NO.		Value (Ω)	Price Each					Call for Quote
Mfr.	Mfr. Part No.		1	10	25	50	100	
652	6639S-1-102	1K	17.26	14.28	13.09	11.90	11.31	Call for Quote
652	6639S-1-202	2K	17.26	14.28	13.09	11.90	11.31	
652	6639S-1-502	5K	17.26	14.28	13.09	11.90	11.31	
652	6639S-1-103	10K	17.26	14.28	13.09	11.90	11.31	
652	6639S-1-203	20K	17.26	14.28	13.09	11.90	11.31	

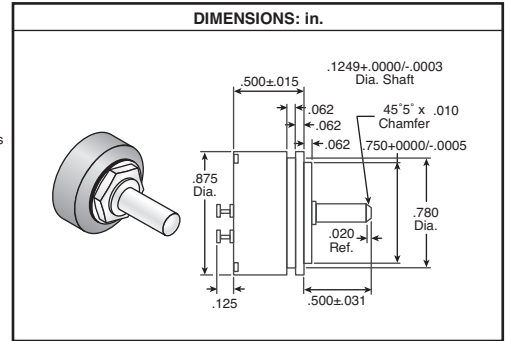


## 6539 SERIES/CONDUCTIVE PLASTIC/PRECISION

- Features:**
- Essentially infinite resolution
  - Excellent rotational life
  - High quality, rugged construction
  - Servo mount
  - General purpose applications

- Specifications:**
- Resistance tolerance: ±15%
  - Power rating: 1.0W
  - Mechanical angle: continuous

\* Non-standard features available

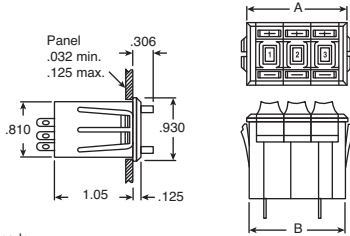
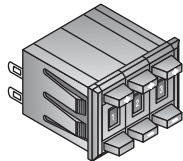


For quantities of 100 and up, call for quote.

MOUSER STOCK NO.		Value (Ω)	Price Each					
Mfr.	Mfr. Part No.		1	2	5	10	25	50
652	6539S-1-102	1k	44.75	41.66	37.03	33.95	30.86	29.32
652	6539S-1-502	5k	44.75	41.66	37.03	33.95	30.86	29.32
652	6539S-1-103	10k	44.75	41.66	37.03	33.95	30.86	29.32



## 3680 SERIES DIGITAL PUSHBUTTON PRECISION POTENTIOMETERS



DIMENSIONS: in.

- Specifications:**
- Tolerance: ±3%
  - Power rating: 2 Watts
  - Expected life: 75,000 button operations each decade

- Features:**
- Snap-in panel mount
  - Repeatability settings
  - Resolution to 0.001%
  - Digital display provides excellent readability

For quantities of 100 and up, call for quote.

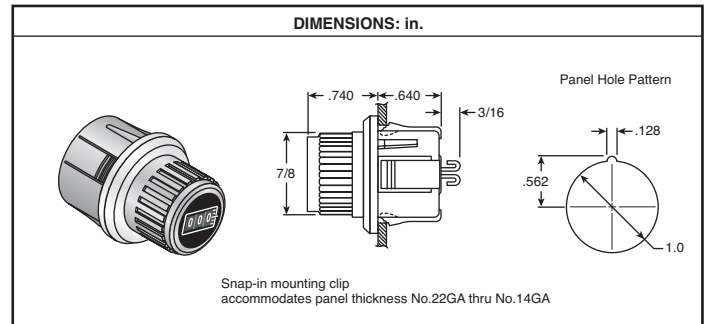
MOUSER STOCK NO.		Values (Ω)	Dimensions: in.		Price Each				
Mfr.	Mfr. Part No.		A	B	1	5	10	25	50
<b>2 Decade Pushbutton</b>									
652	3682S-1-102	1K	1.05	0.99	63.26	58.92	51.84	44.29	38.45
652	3682S-1-502	5K	1.05	0.99	34.18	32.81	30.07	28.71	27.34
652	3682S-1-103	10K	1.05	0.99	34.18	32.81	30.07	28.71	27.34
<b>3 Decade Pushbutton</b>									
652	3683S-1-102	1K	1.46	1.39	62.39	58.46	54.97	51.63	49.34
652	3683S-1-502	5K	1.46	1.39	50.58	48.55	44.51	42.48	40.46
652	3683S-1-103	10K	1.46	1.39	101.15	97.10	89.01	84.97	80.92
652	3683S-1-104	100K	1.46	1.39	101.15	97.10	89.01	84.97	80.92



## 3610 SERIES 10 TURN PRECISION POTENTIOMETER

- Specifications:**
- Tolerance: ±5%
  - Power rating: 1.5 Watts
  - Rotational life: 50,000 revolutions

- Features:**
- Snap-in mounting, easy one hole
  - Space saving: extends only 5/8" behind most panels
  - Digital dial provides excellent reliability



For quantities of 100 and up, call for quote.

MOUSER STOCK NO.		Values (Ω)	Resolution (%)	Price Each				
Mfr.	Mfr. Part No.			1	5	10	25	50
652	3610S-1-103	10K	0.022	80.19	69.25	69.25	66.24	60.92



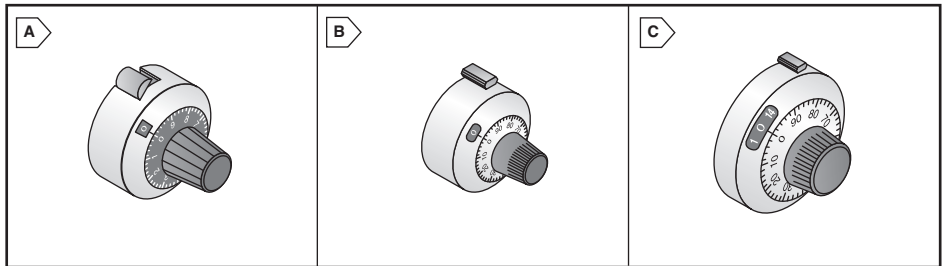
## URNS-COUNTING DIALS

**Applications:**

- H-46:**
- Power supplies
  - Sensors
  - Medical
  - Automation
  - Test equipment
- H-550:**
- Automation equipment
  - Test instrument
  - Industrial machinery
  - Medical instrumentation excluding critical life support applications
  - Test Equipment

**Specifications:**

- Mount directly to potentiometer shaft
- No backlash
- Excellent readability
- Locking brake



For quantities of 250 and up, call for quote.

MOUSER STOCK NO.		Fig.	No. of Turns	Body Dia.: in.	Body Finish	Fits shaft Dia.: in.	Price Each					
Mfr.	Mfr. Part No.						1	5	10	25	50	100
652	H-492-3	A	0 to 30	1.0	Clear	0.25	24.88	23.17	20.59	18.88	17.16	16.30
652	H-494-3	A	0 to 30	1.0	Black	0.25	24.88	23.17	20.59	18.88	17.16	16.30
652	H-494-2	A	0 to 30	1.0	Black	0.12	24.88	23.17	20.59	18.88	17.16	16.30
652	H-22-6A	B	0 to 15	0.874	Chrome	0.25	14.88	13.85	12.31	11.29	10.26	9.75
652	H-22-6A-B	B	0 to 15	0.874	Black	0.25	14.88	13.85	12.31	11.29	10.26	9.75
652	H-23-6A	B	0 to 15	0.874	Polished Chrome	0.25	14.88	13.85	12.31	11.29	10.26	9.75
652	H-22-3A	B	0 to 15	0.874	Satin Chrome	0.12	14.88	13.85	12.31	11.29	10.26	9.75
652	H-46-6A	C	0 to 20	1.811	Chrome	0.25	21.29	20.28	19.27	18.25	17.64	16.89