

OHMITE Aluminum Housed Wirewound Resistors - 160 to 330 Watt



OHMITE WFH SERIES

Using Ohmite's flat-core winding technology, WFH wirewound resistors are housed in flat aluminum extrusions that support attachment of a heat sink. Allowing close mounting of heat-sensitive components to save pc-board space, the devices offer superior thermal-transfer characteristics compared with standard aluminum-housed wirewounds

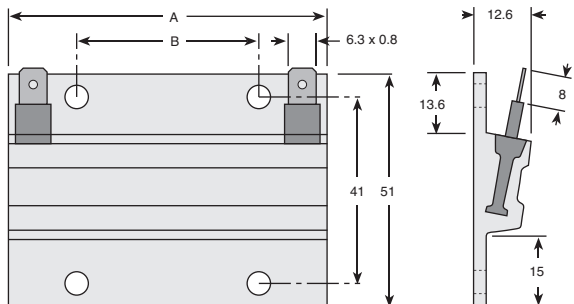
- Features:**
- Solder, Cable and "Fast-On" Termination
 - More resistors in one profile possible

- Specifications:**
- Power Rating: 12-300W
 - Temperature Coefficient: normal 50ppm - 150ppm
 - Working Voltage: 1200VAC
 - Insulation: Silicone Rubber & Mica



Power Resistors

Ohmite



Type	Dimensions: mm	
	A	B
WFH160	140	80
WFH230	210	2x80
WFH330	280	2x100

160 Watt

For quantities of 100 and up, call for quote.

MOUSER STOCK NO.	Ohmite Part No.	Value (Ω)	Tol.	Price Each			
				1	5	10	25
588-WFH160LR47KE	WFH160LR47KE	0.47	10%	35.95	31.51	30.14	28.76
588-WFH160L1R0KE	WFH160L1R0KE	1	10%	35.95	31.51	30.14	28.76
588-WFH160L2R0KE	WFH160L2R0KE	2	10%	35.95	31.51	30.14	28.76
588-WFH160L10RKE	WFH160L10RKE	10	10%	35.95	31.51	30.14	28.76
588-WFH160L27RJE	WFH160L27RJE	27	5%	34.27	30.01	28.72	27.41
588-WFH160L50RJE	WFH160L50RJE	50	5%	34.27	30.01	28.72	27.41
588-WFH160L75RJE	WFH160L75RJE	75	5%	34.27	30.01	28.72	27.41
588-WFH160L100JE	WFH160L100JE	100	5%	34.27	30.01	28.72	27.41
588-WFH160L150JE	WFH160L150JE	150	5%	34.27	30.01	28.72	27.41
588-WFH160L250JE	WFH160L250JE	250	5%	34.27	30.01	28.72	27.41
588-WFH160L1K0JE	WFH160L1K0JE	1K	5%	35.95	31.51	30.14	28.76
588-WFH160L5K0JE	WFH160L5K0JE	5K	5%	35.95	31.51	30.14	28.76
588-WFH160L10KJE	WFH160L10KJE	10K	5%	35.95	31.51	30.14	28.76

230 Watt

588-WFH230L1R0KE	WFH230L1R0KE	1	10%	46.45	40.69	38.94	37.15
588-WFH230L2R0KE	WFH230L2R0KE	2	10%	46.45	40.69	38.94	37.15
588-WFH230L5R0KE	WFH230L5R0KE	5	10%	46.45	40.69	38.94	37.15
588-WFH230L10RKE	WFH230L10RKE	10	10%	46.45	40.69	38.94	37.15
588-WFH230L27RJE	WFH230L27RJE	27	5%	44.24	38.75	37.08	35.39
588-WFH230L50RJE	WFH230L50RJE	50	5%	44.24	38.75	37.08	35.39
588-WFH230L75RJE	WFH230L75RJE	75	5%	44.24	38.75	37.08	35.39
588-WFH230L100JE	WFH230L100JE	100	5%	44.24	38.75	37.08	35.39
588-WFH230L150JE	WFH230L150JE	150	5%	44.24	38.75	37.08	35.39
588-WFH230L250JE	WFH230L250JE	250	5%	44.24	38.75	37.08	35.39
588-WFH230L1K0JE	WFH230L1K0JE	1K	5%	46.45	40.69	38.94	37.15
588-WFH230L1K5JE	WFH230L1K5JE	1.5K	5%	46.45	40.69	38.94	37.15
588-WFH230L2K5JE	WFH230L2K5JE	2.5K	5%	46.45	40.69	38.94	37.15

330 Watt

588-WFH330L1R0KE	WFH330L1R0KE	1	10%	55.42	48.54	46.45	44.34
588-WFH330L2R0KE	WFH330L2R0KE	2	10%	55.42	48.54	46.45	44.34
588-WFH330L10RKE	WFH330L10RKE	10	10%	55.42	48.54	46.45	44.34
588-WFH330L27RJE	WFH330L27RJE	27	5%	52.92	46.36	44.36	42.33
588-WFH330L50RJE	WFH330L50RJE	50	5%	52.92	46.36	44.36	42.33
588-WFH330L75RJE	WFH330L75RJE	75	5%	52.92	46.36	44.36	42.33
588-WFH330L100JE	WFH330L100JE	100	5%	52.92	46.36	44.36	42.33
588-WFH330L150JE	WFH330L150JE	150	5%	52.92	46.36	44.36	42.33
588-WFH330L250JE	WFH330L250JE	250	5%	52.92	46.36	44.36	42.33
588-WFH330L1K0JE	WFH330L1K0JE	1K	5%	55.42	48.54	46.45	44.34
588-WFH330L5K0JE	WFH330L5K0JE	5K	5%	55.42	48.54	46.45	44.34
588-WFH330L10KJE	WFH330L10KJE	10K	5%	55.42	48.54	46.45	44.34

OHMITE Heat Sinkable Planar Resistors - 600 Watt and 1000 Watt



OHMITE TAP 600 SERIES

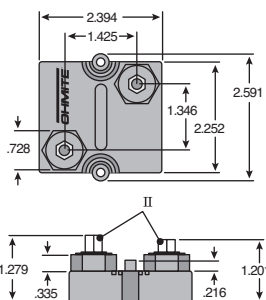
The TAP600 series delivers 600 watts of reliable power to a variety of power conditioning, power transmission and power control applications. The TAP600 are designed for use in liquid, or air cooled heat sink systems used in variable speed drives, power supplies, robotics, motor control and control devices.

- Features:**
- Dielectric Strength: Up to 12KV
 - Special design for low inductive and capacitance values
 - Easy termination to contacts with M5 screws

- Specifications:**
- Tolerance: 10%
 - Maximum Working Voltage: 5000VDC
 - Operating temperature range: -55°C to +150°C
 - Power rating: 600 watt@ 70°C (heat sink temp.)
 - Temperature Coefficient: ± 150 PPM/°C
 - Thermal Resistance: 8.73W/°C (0.115°C/W)



RoHS Compliant



DIMENSIONS: in.

For quantities of 100 and up, call for quote.

MOUSER STOCK NO.	Ohmite Part No.	Value (Ω)	Price Each		
			1	10	25
588-TAP600K1R0E	TAP600K1R0E	1.0	113.56	88.63	81.25
588-TAP600K2R0E	TAP600K2R0E	2.0	113.56	88.63	81.25
588-TAP600K3R0E	TAP600K3R0E	3.0	113.56	88.63	81.25
588-TAP600K5R0E	TAP600K5R0E	5.0	113.56	88.63	81.25
588-TAP600K10RE	TAP600K10RE	10	113.56	88.63	81.25
588-TAP600K50RE	TAP600K50RE	50	113.56	88.63	81.25
588-TAP600K100E	TAP600K100E	100	113.56	88.63	81.25
588-TAP600K1K0E	TAP600K1K0E	1K	113.56	88.63	81.25
588-TAP600K10KE	TAP600K10KE	10K	113.56	88.63	81.25

OHMITE TAP 1000 SERIES

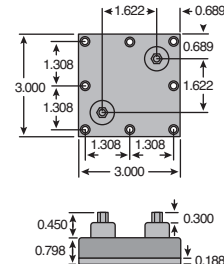
The TAP1000 series delivers 1000 watts of continuous power with thick film on alumina substrate technology. Up to 30% smaller, the TAP1000 is capable of 2 to 4 times the power dissipation of traditional heat sinkable resistor technologies. Designed for use with liquid cooled heat sinks, TAP1000 resistors are capable of dissipating 1000 watts of continuous power when properly mounted. Offering the highest power available in a heat sinkable package, the TAP1000 is well suited for power conditioning, power distribution, and power control applications.

- Dissipates 1000 Watts@70°C
- High Energy Rating
- Low Inductance
- Resistor element electrically isolated
- High Dielectric strength (6KV)
- Small footprint

- Tolerance: 10%
- Maximum Working Voltage: 2000VDC
- Operating temperature range: -55°C to +150°C
- Power rating: 1000 watt@ 70°C
- Temperature Coefficient: ± 250 PPM/°C
- Thermal Resistance: 0.05°C/Watt



RoHS Compliant



DIMENSIONS: in.

For quantities of 100 and up, call for quote.

MOUSER STOCK NO.	Ohmite Part No.	Value (Ω)	Price Each		
			1	10	25
588-TA1KOPH2R50KE	TA1KOPH2R50KE	2.5	141.96	126.50	111.88
588-TA1KOPH3R00KE	TA1KOPH3R00KE	3.0	141.96	126.50	111.88
588-TA1KOPH4R00KE	TA1KOPH4R00KE	4.0	141.96	126.50	111.88
588-TA1KOPH5R00KE	TA1KOPH5R00KE	5.0	141.96	126.50	111.88
588-TA1KOPH8R00KE	TA1KOPH8R00KE	8.0	141.96	126.50	111.88
588-TA1KOPH10R0KE	TA1KOPH10R0KE	10	141.96	126.50	111.88
588-TA1KOPH15R0KE	TA1KOPH15R0KE	15	141.96	126.50	111.88
588-TA1KOPH25R0KE	TA1KOPH25R0KE	25	164.55	156.30	148.09
588-TA1KOPH30R0KE	TA1KOPH30R0KE	30	141.96	126.50	111.88
588-TA1KOPH50R0KE	TA1KOPH50R0KE	50	141.96	126.50	111.88